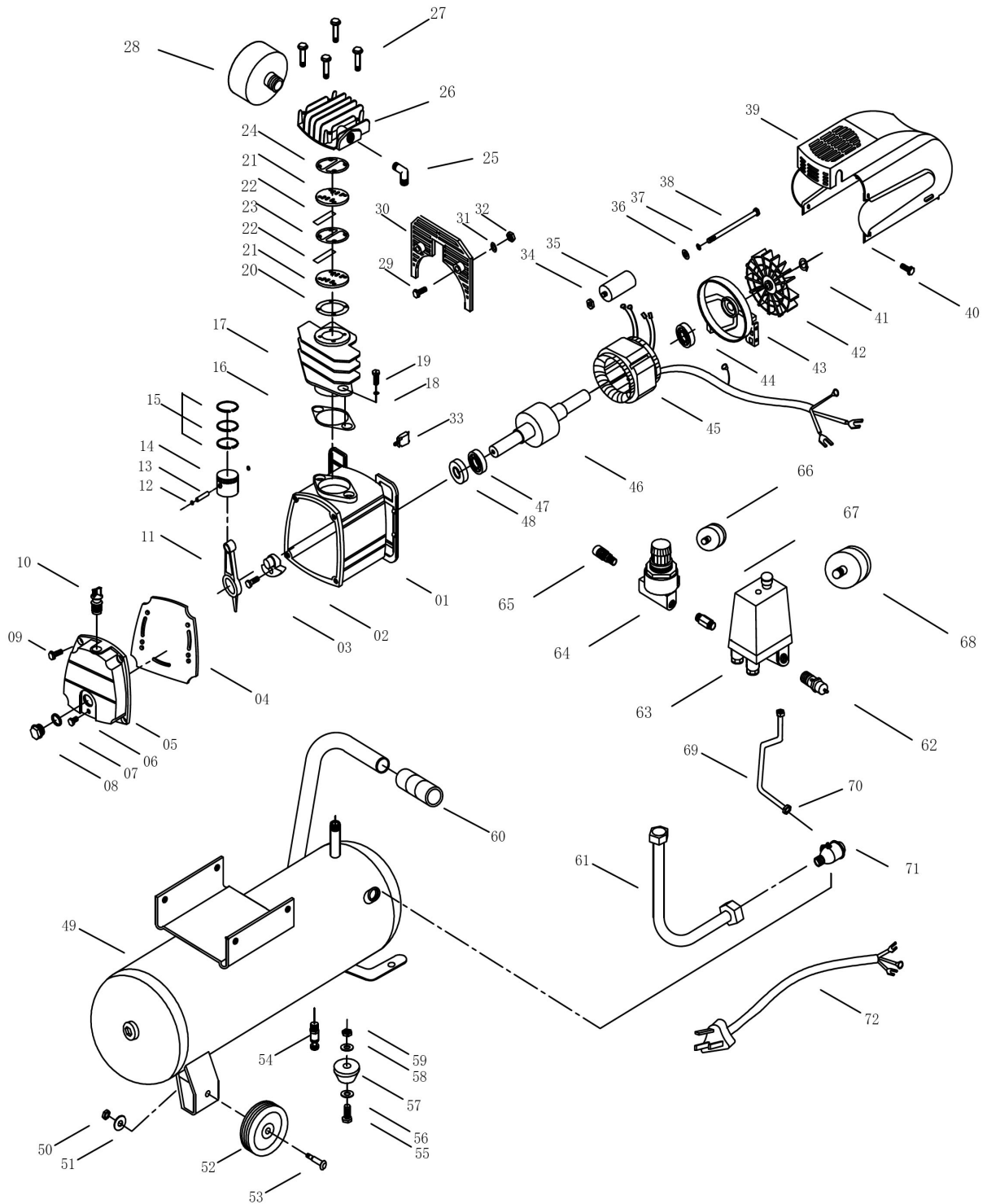




PARTS FOR :  
**COMPRESSOR 50LTR DIRECT DRIVE 2HP**  
MODEL : **SAC5020E.V2**



ISSUE : 1  
ISSUE DATE : 17/01/14

**NOTE:** It is our policy to continually improve products and as such we reserve the right to alter data, specifications and component parts without prior notice.

**IMPORTANT:** No liability is accepted for incorrect use of product.

**WARRANTY:** Guarantee is 12 months from purchase date, proof of which will be required for any claim.

**INFORMATION:** For a copy of our latest catalogue and promotions call us on 01284 757525 and leave your full name and address, including postcode.



Sole UK Distributor,  
Sealey Group, Kempson Way,  
Suffolk Business Park,  
Bury St Edmunds, Suffolk, IP32 7AR



01284 757500



01284 703534



[www.sealey.co.uk](http://www.sealey.co.uk)



[sales@sealey.co.uk](mailto:sales@sealey.co.uk)



PARTS FOR :  
**COMPRESSOR 50LTR DIRECT DRIVE 2HP**  
MODEL : **SAC5020E.V2**

ITEM	PART NO	DESCRIPTION	ITEM	PART NO	DESCRIPTION
1	SAC5020EV2.01	CRANKCASE	37	SAC5020EV2.37	SPRING WASHER
2	SAC5020EV2.02	CRANK SHAFT	38	SAC5020EV2.38	BOLT
3	SAC5020EV2.03	BOLT	39	SAC5020EV2.39	PUMP COVER
4	SAC5020EV2.04	RUBBER GASKET	40	SAC5020EV2.40	BOLT
5	SAC5020EV2.05	CRANKCASE COVER	41	SAC5020EV2.41	CHECK RING
6	SAC5020EV2.06	BOLT	42	SAC5020EV2.42	FAN
7	SAC5020EV2.07	WASHER	43	SAC5020EV2.43	REAR BEARING CRANK
8	SAC5020EV2.08	OIL SIGHT GLASS	44	SAC5020EV2.44	BEARING
9	SAC5020EV2.09	BOLT	45	SAC5020EV2.45	STATOR
10	SAC5020EV2.10	BREATHER PLUG	46	SAC5020EV2.46	ROTOR
11	SAC5020EV2.11	CONNECTING ROD	47	SAC5020EV2.47	BEARING
12	SAC5020EV2.12	CIRCLIP	48	SAC5020EV2.48	OIL SEALING
13	SAC5020EV2.13	PISTON PIN	49	SAC5020EV2.49	TANK 50LTR
14	SAC5020EV2.14	PISTON	50	SAC5020EV2.50	NUT
15	SAC5020EV2.15	PISTON RING	51	SAC5020EV2.51	WASHER
16	SAC5020EV2.16	CRANKCASE GASKET	52	SAC5020EV2.52	WHEEL
17	SAC5020EV2.17	CYLINDER	53	SAC5020EV2.53	WHEEL BOLT
18	SAC5020EV2.18	SPRING WASHER	54	SAC5020EV2.54	DRAIN VALVE
19	SAC5020EV2.19	BOLT	55	SAC5020EV2.55	BOLT
20	SAC5020EV2.20	VALVE GASKET	56	SAC5020EV2.56	WASHER
21	SAC5020EV2.21	VALVE REED	57	SAC5020EV2.57	CUSHION FOOT
22	SAC5020EV2.22	VALVE PLATE	58	SAC5020EV2.58	WASHER
23	SAC5020EV2.23	CYLINDER GASKET	59	SAC5020EV2.59	NUT
24	SAC5020EV2.24	CYLINDER HEAD GASKET	60	SAC5020EV2.60	HANDLE GRIP
25	SAC5020EV2.25	ELBOW EXHAUST	61	SAC5020EV2.61	EXHUAST PIPE
26	SAC5020EV2.26	CYLINDER HEAD	62	SAC5020EV2.62	SAFETY VALVE
27	SAC5020EV2.27	BOLT	63	SAC5020EV2.63	PRESSURE SWITCH
28	SAC5020EV2.28	AIR FILTER	64	SAC5020EV2.64	REGULATOR
29	SAC5020EV2.29	BOLT	65	SAC5020EV2.65	QUICK VALVE
30	SAC5020EV2.30	BAFFLE	66	SAC5020EV2.66	PRESSURE GAUGE
31	SAC5020EV2.31	WASHER	67	SAC5020EV2.67	CONNECTOR
32	SAC5020EV2.32	NUT	68	SAC5020EV2.68	PRESSURE GAUGE
33	SAC5020EV2.33	THERMAL CUT-OUT	69	SAC5020EV2.69	UNLOADING PIPE
34	SAC5020EV2.34	NUT	70	SAC5020EV2.70	UNLOADING NUT
35	SAC5020EV2.35	CAPACITOR	71	SAC5020EV2.71	CHECK VALVE
36	SAC5020EV2.36	WASHER	72	SAC5020EV2.72	PLUG

ISSUE : 1  
ISSUE DATE : 17/01/14

**NOTE:** It is our policy to continually improve products and as such we reserve the right to alter data, specifications and component parts without prior notice.

**IMPORTANT:** No liability is accepted for incorrect use of product.

**WARRANTY:** Guarantee is 12 months from purchase date, proof of which will be required for any claim.

**INFORMATION:** For a copy of our latest catalogue and promotions call us on 01284 757525 and leave your full name and address, including postcode.



Sole UK Distributor,  
Sealey Group, Kempson Way,  
Suffolk Business Park,  
Bury St Edmunds, Suffolk, IP32 7AR



01284 757500



01284 703534



[www.sealey.co.uk](http://www.sealey.co.uk)

[sales@sealey.co.uk](mailto:sales@sealey.co.uk)