

Issue: 1
 Issue Date: 161013

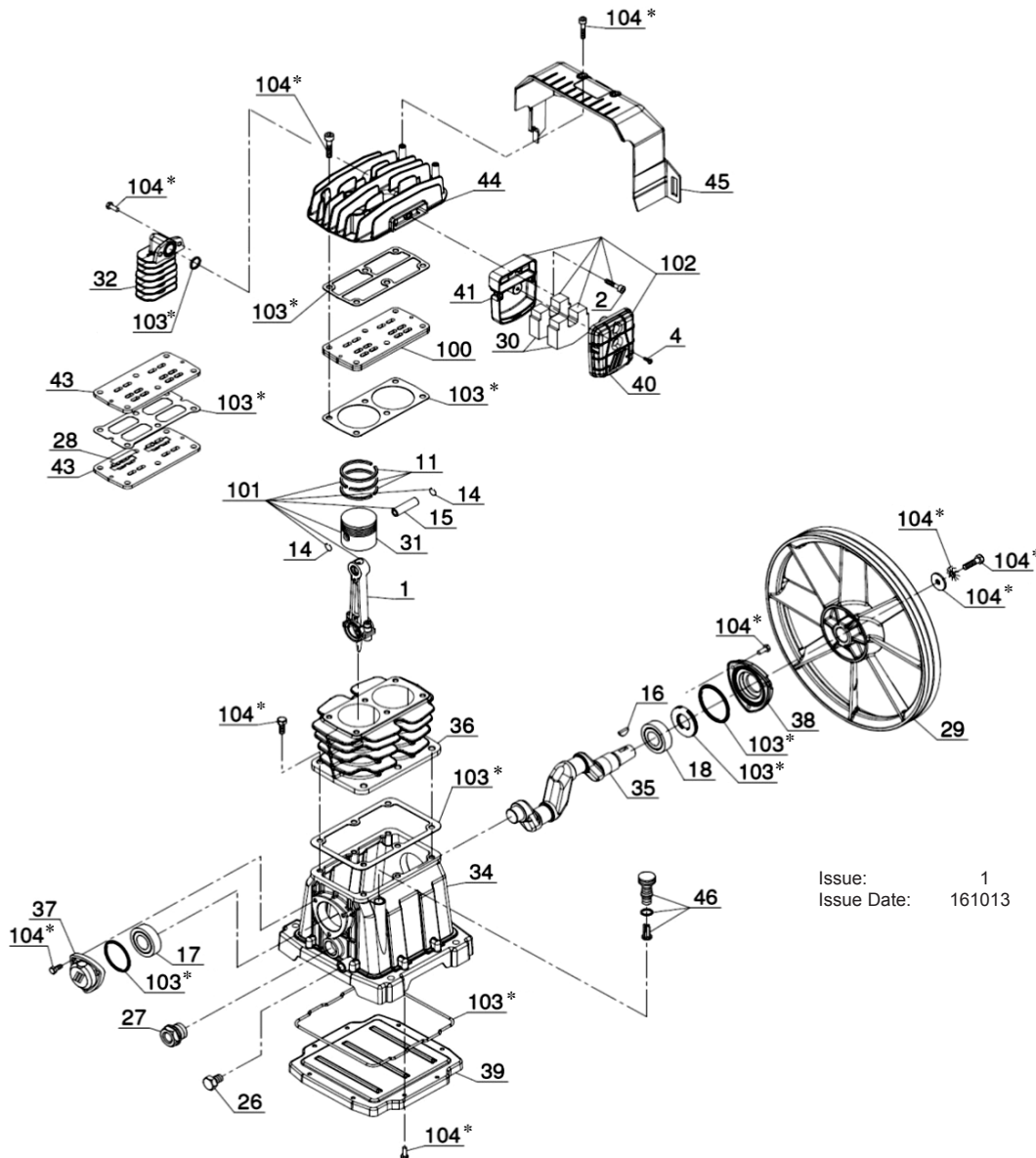
ITEM	PART NO	DESCRIPTION	ITEM	PART NO	DESCRIPTION
1	SAC3020041000	PUMP UNIT	21	SAC7090070000	PLUG 1/4"
2	SAC5010940008	BASE PLATE	22	SAC7110250000	GAUGE 250psi, 60mm
3	SAC5010950008	BASE PLATE	23	SAC7130150000	TAP 1/2" F/F
4	SAC5155200008	TANK 270ltr	24	SAC7130160000	TAP 3/8"
5	SAC5160270008	CONTROL BOX SUPPORT	25	SAC7190090000	NON-RETURN VALVE
6	SAC7011110000	BOLT M8X30	26	SAC7190190000	NON-RETURN VALVE
7	SAC7011120000	SCREW (M10x45)	27	SAC7192090000	SAFETY VALVE 3/8"
8	SAC7011410000	BOLT (M10x20)	28	SAC7194030000	SOLENOID VALVE
9	SAC7012090000	PHILLIPS BOLT M5X12	29	SAC7237761000	INFEEED HOSE
10	SAC7012170000	SCREW (M5x8)	30	SAC7237791000	INFEEED HOSE
11	SAC7020240000	NUT (M8)	31	SAC4170130000	BELT GUARD KIT
12	SAC7020250000	NUT (M10)	32	SAC4170280000	BELT GUARD KIT
13	SAC7023050000	LOCK NUT	33	SAC7250360000	PRESSUE SWITCH
14	SAC7030030000	WASHER	34	SAC7370410000	BELT 3V 530
15	SAC7030050000	WASHER (6x24)	35	SAC4151600000	MOTOR/PULLEY KIT
16	SAC7030190000	WASHER (6x18)	36	SAC7430120000	CONTROL BOX
17	SAC7030450000	WASHER	37	SAC7458860000	BELT GUARD SUPPORT
18	SAC7080130000	ELBOW (3/8"x1/2")	38	SAC7459260000	BELT GUARD SUPPORT
19	SAC7081040000	JOINT 1/2"	39	SAC7459670000	BELT GUARD SUPPORT
20	SAC7088060000	CONNECTOR	100	SAC4080500000	SCREW KIT

NOTE: It is our policy to continually improve products and as such we reserve the right to alter data, specifications and component parts without prior notice.

IMPORTANT: No liability is accepted for incorrect use of product.

WARRANTY: Guarantee is 12 months from purchase date, proof of which will be required for any claim.

INFORMATION: For a copy of our latest catalogue and promotions call us on 01284 757525 and leave your full name and address, including postcode.



Issue: 1
 Issue Date: 161013

ITEM	PART NO	DESCRIPTION	ITEM	PART NO	DESCRIPTION
1	SAC9105450240	CON-ROD	35	SAC9105450250	CRANKSHAFT
11	SAC4080070000	PISTON RING SET	36	SAC9105450060	CYLINDER
14	SAC7041410000	RING	37	SAC9105450070	FRONT COVER
15	SAC7050110000	PISTON PIN (15x55)	38	SAC9105450080	REAR COVER
16	SAC7051510000	KEY (5x7.5)	39	SAC9105450090	BOTTOM COVER
17	SAC7060060000	BEARING 6205	44	SAC9105450180	HEAD
18	SAC7060150000	BEARING 6206	45	SAC7153140000	COVER
26	SAC7090090000	PLUG 1/4"	46	SAC9700001377	VENT PLUG
27	SAC7180060000	OIL SIGHT GLASS	100	SAC4231260000	VALVE PLATE KIT
29	SAC7201010000	FLYWHEEL	101	SAC4291070000	CON-ROD/PISTON KIT
31	SAC7220090000	PISTON	102	SAC4250130000	INTAKE FILTER KIT
32	SAC9100270270	AFTERCOOLER	103	SAC4081990000	GASKET KIT
34	SAC9105450010	CRANKCASE	104	SAC4080480000	SCREW KIT

NOTE: It is our policy to continually improve products and as such we reserve the right to alter data, specifications and component parts without prior notice.

IMPORTANT: No liability is accepted for incorrect use of product.

WARRANTY: Guarantee is 12 months from purchase date, proof of which will be required for any claim.

INFORMATION: For a copy of our latest catalogue and promotions call us on 01284 757525 and leave your full name and address, including postcode.