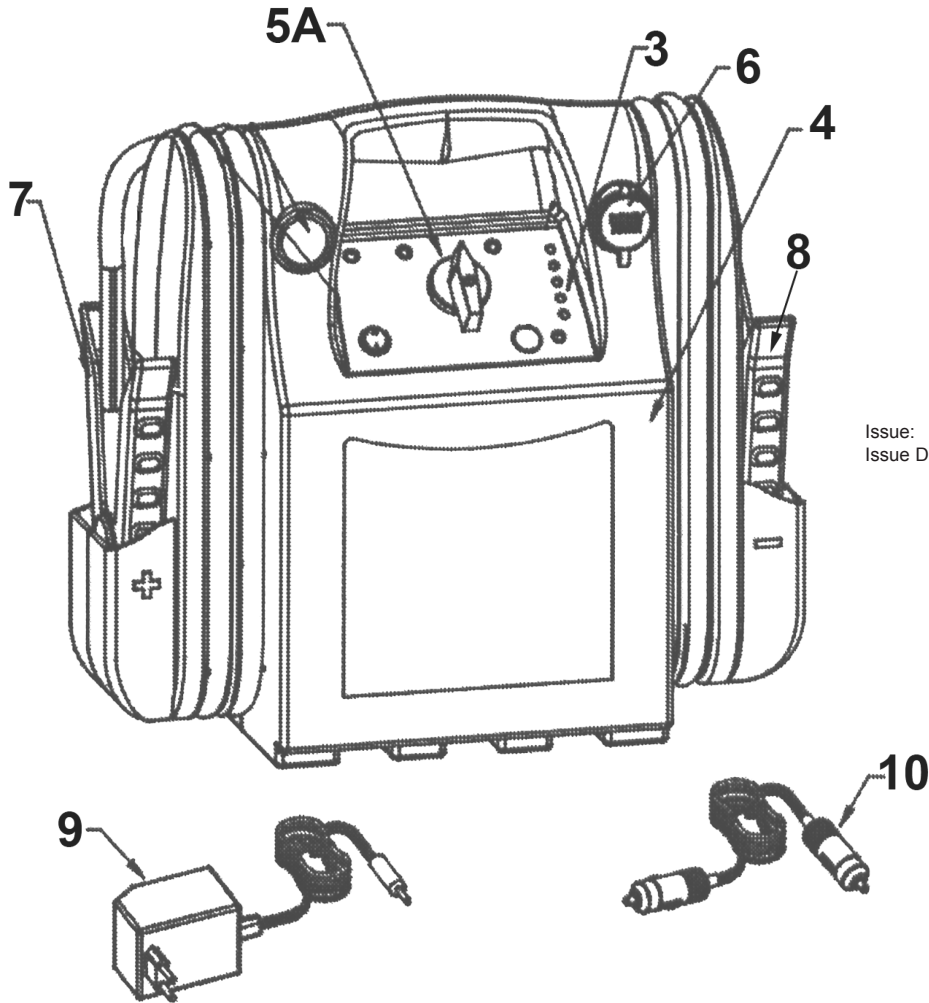


PARTS FOR:  
 ROADSTART EMERGENCY POWER PACK 12v 3200 PEAK AMPS  
 ROADSTART EMERGENCY POWER PACK 24v 1600 PEAK AMPS  
 ROADSTART EMERGENCY POWER PACK 12/24v 3200/1600 PEAK AMPS  
 MODELS: **RS103.V2 / RS104.V2 / RS105.V2**



Issue: 2  
 Issue Date: 270110

ITEM	PART NO	DESCRIPTION
--	RS103.01	BATTERY (not shown)
--	RS103.02	LED DISPLAY LABEL (for RS103.V2 only) (not shown)
--	RS104.02	LED DISPLAY LABEL (for RS104.V2 only) (not shown)
--	RS105.02	LED DISPLAY LABEL (for RS105.V2 only) (not shown)
3	RS103.V2-03	MULTIPLE LED POWER INDICATOR (for RS103.V2 only)
	RS104.V2-03	MULTIPLE LED POWER INDICATOR (for RS104.V2 only)
	RS105.V2-03	MULTIPLE LED POWER INDICATOR (for RS105.V2 only)
4	RS103.04	COMPLETE CASE
5A	RS105.05	VOLTAGE SWITCH (12v/24v ONLY) (for RS105.V2 only)
6	RS103.06	CIGARETTE LIGHTER SOCKET (c/w CAP)
7	RS103.07	HEAVY DUTY CLAMP + CABLE (NEGATIVE)
8	RS103.08	HEAVY DUTY CLAMP + CABLE (POSITIVE)
9	RS1708AUA	UNIVERSAL ADAPTOR 0.8A 17V (for RS103.V2 & RS105.V2 only)
	RS3510AUA	UNIVERSAL ADAPTOR 1.0A 35V (for RS104.V2 only)
10	RS103.10	EXTENSION CORD (IN CAR CHARGER)
	RS103.11	CLAMP CLIPS (PAIR) (not shown)

**NOTE:** It is our policy to continually improve products and as such we reserve the right to alter data, specifications and component parts without prior notice.

**IMPORTANT:** No liability is accepted for incorrect use of product.

**WARRANTY:** Guarantee is 12 months from purchase date, proof of which will be required for any claim.

**INFORMATION:** For a copy of our latest catalogue and promotions call us on 01284 757525 and leave your full name and address, including postcode.