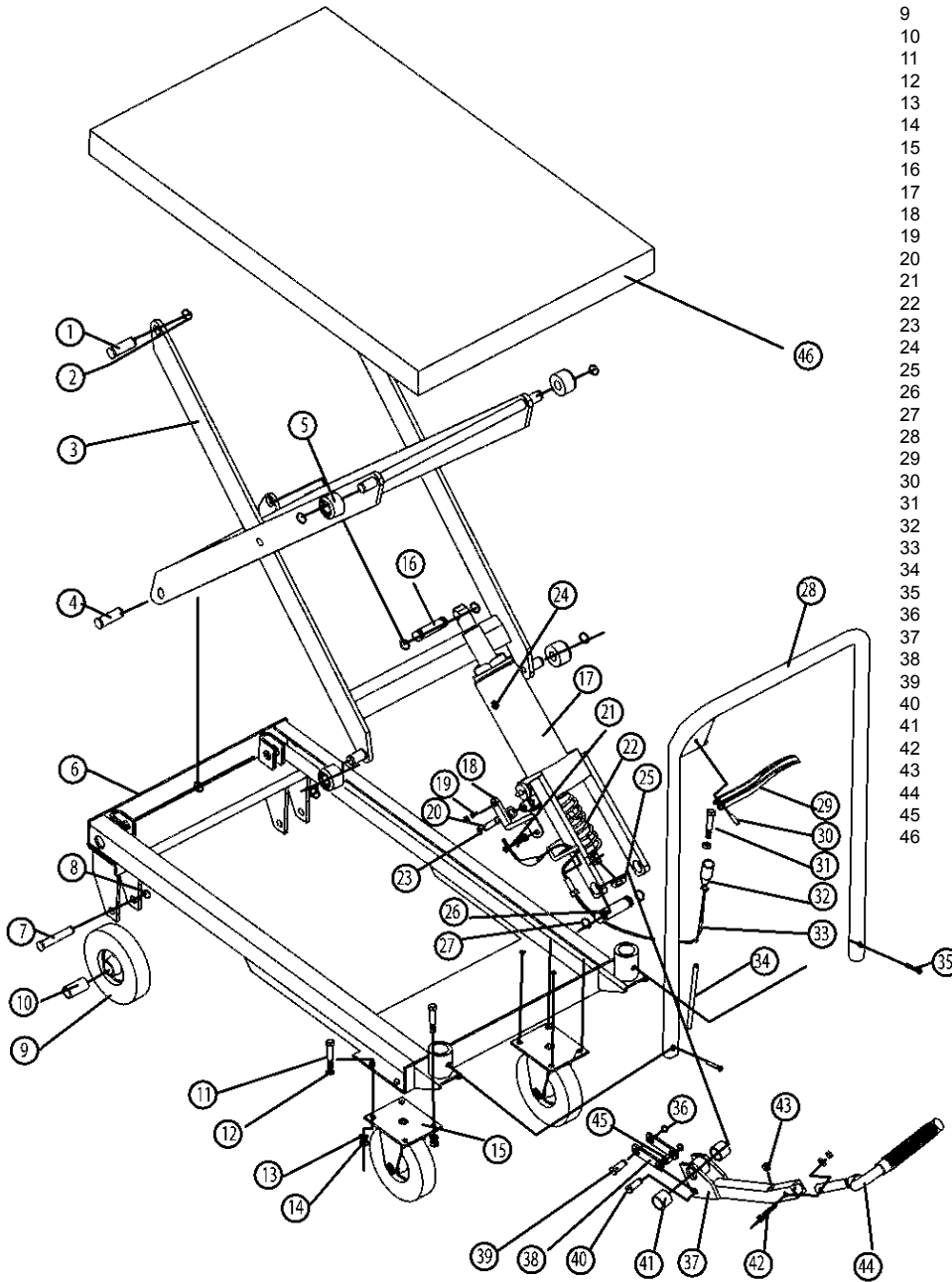


Version No: 1
Issue Date: 03/04/06



ITEM	PART NO.	DESCRIPTION
1	HPT500.V2-01	UP SLIDE PIN
2	HPT500.V2-02	WASHER
3	HPT500.V2-03	SLIDE ASSEMBLY
4	HPT500.V2-04	DOWN SLIDE PIN
5	HPT500.V2-05	PULLEY
6	HPT500.V2-06	BASE ASSEMBLY
7	HPT500.V2-07	FRONT WHEEL SHAFT
8	HPT500.V2-08	WASHER
9	HPT500.V2-09	WHEEL
10	HPT500.V2-10	WHEEL SHAFT SLEEVE
11	HPT500.V2-11	BOLT
12	HPT500.V2-12	WASHER
13	HPT500.V2-13	SPRING WASHER
14	HPT500.V2-14	NUT
15	HPT500.V2-15	CASTOR WHEEL ASS'Y
16	HPT500.V2-16	PISTON PIN SHAFT
17	HPT500.V2-17	HYDRAULIC POWER UNIT
18	HPT500.V2-18	RELEASE VALVE LINK
19	HPT500.V2-19	RELEASE VALVE NUT
20	HPT500.V2-20	PIN
21	HPT500.V2-21	BOLT
22	HPT500.V2-22	SPRING
23	HPT500.V2-23	SPRING
24	HPT500.V2-24	NUT
25	HPT500.V2-25	SPRING WASHER
26	HPT500.V2-26	SUPPORT SHAFT
27	HPT500.V2-27	WASHER
28	HPT500.V2-28	HANDLE
29	HPT500.V2-29	BRAKE HANDLE
30	HPT500.V2-30	PIN
31	HPT500.V2-31	BOLT
32	HPT500.V2-32	BOLT SLEEVE
33	HPT500.V2-33	BRAKE CABLE SLEEVE
34	HPT500.V2-34	BRAKE THREAD TUBE
35	HPT500.V2-35	BOLT
36	HPT500.V2-36	WASHER
37	HPT500.V2-37	FOOT PEDAL
38	HPT500.V2-38	LINKING PLATE
39	HPT500.V2-39	PLUNGER PIN
40	HPT500.V2-40	COTTER PIN
41	HPT500.V2-41	SHAFT SLEEVE
42	HPT500.V2-42	HEX BOLT
43	HPT500.V2-43	BUMPER WASHER
44	HPT500.V2-44	LIFTING PEDAL
45	HPT500.V2-45	SMALL SHAFT SLEEVE
46	HPT500.V2-46	TABLE

NOTE: It is our policy to continually improve products and as such we reserve the right to alter data, specifications and component parts without prior notice.