

Issue: 4
Date Issued: 050310

NOTE: It is our policy to continually improve products and as such we reserve the right to alter data, specifications and component parts without prior notice.

IMPORTANT: No liability is accepted for incorrect use of product.

WARRANTY: Guarantee is 12 months from purchase date, proof of which will be required for any claim.

INFORMATION: For a copy of our latest catalogue and promotions call us on 01284 757525 and leave your full name and address, including postcode.

ITEM	PART NO	DESCRIPTION
	PC2700/KIT 2	PUMP PEDESTAL ASSEMBLY
5	FNA.23001100	BEARING
6	FNA.22005800	O-RING
7	FNA.43011300	GEAR WHEEL
8	FNA.43008400	GEAR SHAFT
9	FNA.43060300	PUMP BASE PARTS
10	FNA.22005600	SEAL OIL
11	FNA.23001000	BEARING
12	FNA.43014600	WOBBLE PLATE
13	FNA.21006500	WOBBLE PLATE SCREW
	KIT3 PC2700/KIT 3	THRUST BEARING ASSY
	PC2700/KIT 4	PISTON BODAY ASSY
19	FNA.43010500	PISTON SPRING
20	FNA.26001300	RUBBER SEAL
21	FNA.43008800	PISTON BODY
22	FNA.41003400	PISTON SEAL
23	FNA.22005200	SMALL O-RING
	PC2700/KIT 5	PISTON ASSY
17	FNA.43009100	PISTON SPRING BASE
18	FNA.43010000	PISTON
	PC2700/KIT 6	PILOT SHEATH ASSY
24	FNA.42020800	PILOT SHEATH
25	FNA.42021200	BAFFLE
26	FNA.22005100	O-RING
	PC2700/KIT 7	PUMP BODY ASSY
27	FNA.22004300	SMALL O-RING
28	FNA.22004200	BIG O-RING
29	FNA.42020900	ONE-WAY OUTLET COVER
35	FNA.43016800	PUMP BODY
	PC2700/KIT 8	CHECK VALVE ASSY
30	FNA.42021100	CHECK VALVE PEDESTAL
31	FNA.43010300	SPRING
32	FNA.43009200	CHECK VALVE
33	FNA.42021000	CHECK VALVE COVER
34	FNA.22004400	O-RING
	PC2700/KIT 9	INLET PIPE ASSY
37	FNA.41003200	INLET PIPE SEAL RING
38	FNA.42043800	INLET PIPE
55	FNA.42000300	INLET PIPE FILTER
	PC2700/KIT 10	INLET PIPE ADAPTOR ASSY
52	FNA.22005300	O-RING
53	FNA.42044000	INLET PIPE ADAPTOR
54	FNA.41003300	SEAL

ITEM	PART NO	DESCRIPTION
	PC2700/KIT 11	OUTLET BODY ASSY
67	FNA.43010200	SCREW
68	FNA.22004800	SMALL O-RING
69	FNA.21006700	SCREW
70	FNA.43014000	OUTLET BODY(MOLD B)
71	FNA.22005400	O-RING
72	FNA.22004500	O-RING
73	FNA.42021700	BIG VALVE CORE
74	FNA.43010400	SPRING
75	FNA.43010100	BOLT
76	FNA.21011300	SCREW
77	FNA.42028500	BOTTOM ELECTRICAL BOX
78	FNA.41003600	SEAL
79	FNA.42030000	UPPER ELECTRICAL BOX
87	FNA.42021900	STEEL BALL COVER
88	FNA.23000400	STEEL BALL
89	FNA.22004600	O-RING
90	FNA.42022000	SPILL VALVE SHELL
	PC2700/KIT 12	VALVE SHEATH ASSEMBLY
91	FNA.41003000	CLOSING RING
92	FNA.22004600	O-RING
93	FNA.43008200	VALVE PISTON
94	FNA.22006900	O-RING
95	FNA.41009300	CLOSING RING
96	FNA.22003700	O-RING
97	FNA.42021800	SPILL VALVE
98	FNA.22004700	O-RING
99	FNA.43009400	BAFFLE
100	FNA.43009300	U PIN
101	FNA.43009700	SPRING
102	FNA.41003500	FEELER LEVER JACKET
103	FNA.43008300	FEELER LEVER
104	FNA.21006800	FEELER LEVER NUT
105	FNA.43009500	TOTAL STOP BLADE
106	FNA.25000300	NUT
	PC2700.KIT13	MICRO SWITCH ASSY
84	FNA.31001900	CORD, MICRO SWITCH
58-2	FNA.31002400	CORD
86	FNA.33000700	MICRO SWITCH
58	FNA.37000400	CAPACITANCE
82-1	FNA.37008300	SLEEVE
82	FNA.37009200	SHORT STRAIGHT INSERT
80-1	FNA.37009300	STRAIGHT SLOT
85	FNA.41003700	ROUND SLEEVE
83	FNA.41003800	SQUARE SLEEVE
58-1	FNA.42011300	THERMOPLASTIC TUBE

NOTE: It is our policy to continually improve products and as such we reserve the right to alter data, specifications and component parts without prior notice.

IMPORTANT: No liability is accepted for incorrect use of product.

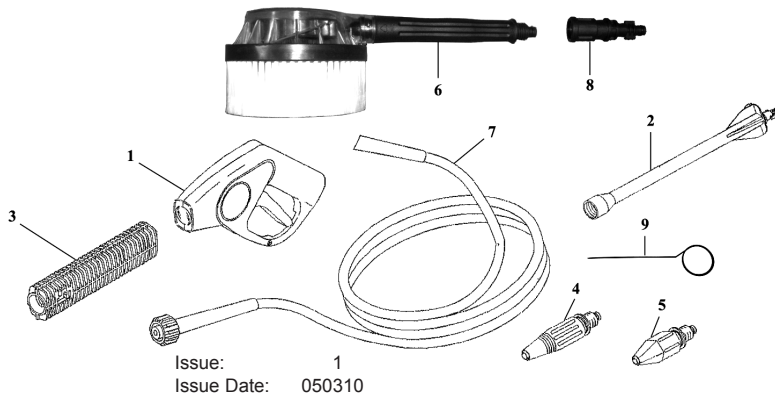
WARRANTY: Guarantee is 12 months from purchase date, proof of which will be required for any claim.

INFORMATION: For a copy of our latest catalogue and promotions call us on 01284 757525 and leave your full name and address, including postcode.

ITEM	PART NO	DESCRIPTION
KIT15	PC2700.KIT15	CABLE GROMMET ASSEMBLY
	PC2700.KIT16	CABLE ASSY
57	FNA.31004301	CABLE
80	FNA.37000100	SLIP-ON RECEPTACLE
81	FNA.37008400	SQUARE SLEEVE
83	FNA.41003800	SLEEVE
	PC2700/KIT 17	PUMP ASSY
36	FNA.21006400	SCREW
39	FNA.21006600	SCREW
40	FNA.21008400	PLAIN CUSHION
	PC2700/KIT 18	MOTOR-PUMP ASSY
1	FNA.42022500	MOTOR COVER
2	FNA.10014300	MOTOR
3	FNA.21007400	BOLT
4	FNA.21007300	RUBBER PACKING
KIT19	PC2700/KIT 19	SOAP BOTTLE NOZZLE ASSY
122	FNA.10090200	SOAP BOTTLE ASSY
123	FNA.42029400	HOOK FOR SOAP HOOK

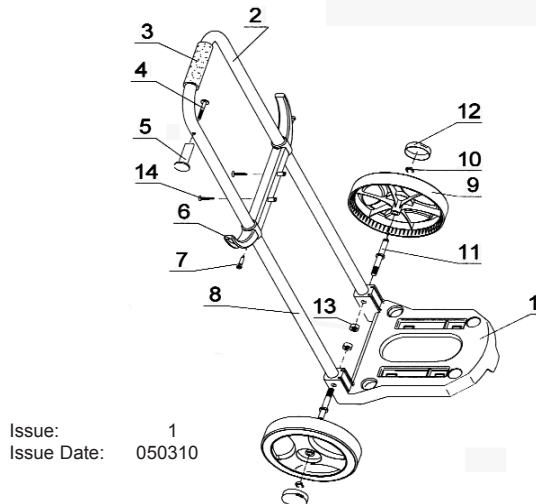
ITEM	PART NO	DESCRIPTION
	PC2700/KIT 20	COMPLETE CASE ASSEMBLY (N/S)
41	FNA.33000800	SWITCH, MAIN
42	FNA.21013800	SCREW
43	FNA.23013900	SCREW
49	FNA.42023100	CABLE PLATE
50	FNA.21009700	SCREW
51	FNA.42021600	INLET PIPE ADAPTOR COVER
56	FNA.42044500	INLET PIPE NUT
60	FNA.41004200	RUBBER PLATE
61	FNA.41004300	RUBBER PLATE
62	FNA.42029500	FRONT CASE (RED)
64	FNA.21013800	SCREW
65	FNA.42031300	FOOT
66	FNA.42045300	OUTLET COVER
116	FNA.21009600	SCREW
117	FNA.42028900	HOOK
121	FNA.21001600	PLAIN CUSHION

ACCESSORIES



ITEM	PART NUMBER	DESCRIPTION
1	FNA.10009500	GUN
2	FNA.10011200	H100 LANCE
3	FNA.10009400	HALF LANCE
4	FNA.10009600	NORMAL NOZZLE
5	FNA.10094500	TURBO NOZZLE
6	FNA.42042300	ROTARY BRUSH
7	FNA.42025201	HP HOSE
8	FNA.42038301	#3 ADAPTOR
9	FNA.81001700	NEEDLE PROBE

TROLLEY PARTS



ITEM	PART NUMBER	DESCRIPTION
1	FNA.42032700	TROLLEY BASE
2	FNA.43004300	UPPER TROLLEY TUBE
3	FNA.42014800	HANDLE SLEEVE
4	FNA.21010500	SCREW
5	FNA.42033300	HOOK
6	FNA.42033400	HOOK/CONNECTOR
7	FNA.21011000	SCREW
8	FNA.43004200	STRAIGHT TROLLEY TUBE
9	FNA.42027300	WHEEL
10	FNA.21033100	AXLE CLIP
11	FNA.43002000	WHEEL AXLE
12	FNA.42027700	WHEEL COVER
13	FNA.21002100	NUT
14	FNA.21013100	SCREW
-	FNA.10081000	TROLLEY ASSY (parts 1-14)

NOTE: It is our policy to continually improve products and as such we reserve the right to alter data, specifications and component parts without prior notice.

IMPORTANT: No liability is accepted for incorrect use of product.

WARRANTY: Guarantee is 12 months from purchase date, proof of which will be required for any claim.

INFORMATION: For a copy of our latest catalogue and promotions call us on 01284 757525 and leave your full name and address, including postcode.