



Instructions For:
UNIVERSAL ENGINE SUPPORT
 Model: **ES600**

Thank you for purchasing a Sealey Product. Manufactured to a high standard this product will, if used according to these instructions and properly maintained, give you years of trouble free performance.

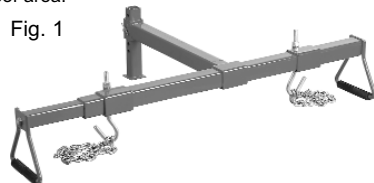
IMPORTANT: PLEASE READ THESE INSTRUCTIONS CAREFULLY. NOTE THE SAFE OPERATIONAL REQUIREMENTS, WARNINGS AND CAUTIONS. USE THIS PRODUCT CORRECTLY AND WITH CARE FOR THE PURPOSE FOR WHICH IT IS INTENDED. FAILURE TO DO SO MAY CAUSE DAMAGE AND/OR PERSONAL INJURY, AND WILL INVALIDATE THE WARRANTY. PLEASE KEEP INSTRUCTIONS SAFE FOR FUTURE USE.

1. SAFETY INSTRUCTIONS

- ✓ Ensure that the engine support is in good working order. Take action for immediate repair or replacement of damaged parts. Use genuine parts only. The use of unauthorised parts may be dangerous and will invalidate the warranty.
- ✓ Locate the vehicle in a suitable, well lit work area.
- ✓ Keep work area clean and tidy and free from unrelated materials.
- ✓ Ensure the vehicle handbrake is engaged and the engine/motor is switched off.
- ✓ Ensure all non-essential persons keep a safe distance whilst the engine support is in use.
- ✗ **DO NOT** use the engine support if damaged.
- ✗ **DO NOT** allow untrained persons to operate the engine support.
- ✗ **DO NOT** use the engine support for purposes other than that for which it is designed.
- ✗ **DO NOT** exceed the rated capacity of the engine support.
- ✓ When not in use, store engine support in a safe, dry, childproof area.

2. INTRODUCTION & SPECIFICATION

Fig. 1



2.1. The ES600 is suitable for heavy engines including 6-cylinder variants. Supports engine during maintenance operations including engine mounting replacement. Beam is supported on 2 rubber covered feet with 3rd, height adjustable foot resting on the front of the vehicle. Supplied with 2 short lifting chains.

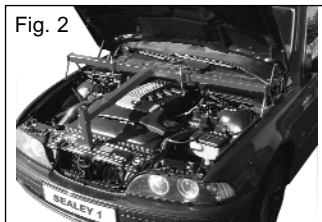
2.2. Maximum Capacity 600kg Length min/max 600/*875mm
 Width min/max 1010/*1210mm * Allows 200mm safety margin

3. ASSEMBLY INSTRUCTIONS

Note: Numbers in brackets refer to item numbers shown in the parts diagram.

- 3.1. Slide the moveable beam assembly (11) onto the beam (1).
- 3.2. Slide the two moveable beams (7) into position as required. Note: The moveable beams (7) can be fitted either side of the moveable beam assembly (11), as shown in fig.1. or one can be fitted to the moveable beam assembly (11).
- 3.3. Adjust the position of the moveable beams (7) to provide the optimum weight distribution.
- 3.4. Remove the bolts and washers (4 & 2) from the ends of the beam (1) and telescopic beam (16). Fit the standing platform assemblies (3) and secure using the bolts and washers previously removed.
- 3.5. Slide the telescopic beam (16) inside the beam (1).
- 3.6. Remove the pin (13) from the support arm (15), slide the telescopic beam assembly (12) onto the support arm, adjust for the required position and secure by fitting the pin through both items.
- 3.7. Slide the telescopic beam assembly (12) into the moveable beam assembly (11).
- 3.8. Remove the nut (5) and washer (6) from both "J" hooks (8), insert the "J" hooks through the locating tubes on the moveable beams and refit the washers and nuts.
- 3.9. The engine support is now ready for use.

Fig. 2



4. OPERATING INSTRUCTIONS

Note: Numbers in brackets refer to item numbers shown in the parts diagram.

- 4.1. Position the support beam over the engine with the standing platform assemblies (3) in the gutters of the wing panels, or close to the suspension strut towers and the support arm positioned on the front cross member of the car, as shown in fig.2.



Instructions For:
UNIVERSAL ENGINE SUPPORT
 Model: **ES600**

Thank you for purchasing a Sealey Product. Manufactured to a high standard this product will, if used according to these instructions and properly maintained, give you years of trouble free performance.

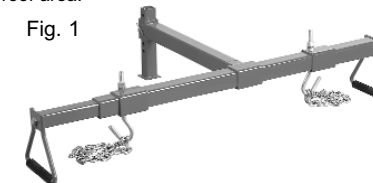
IMPORTANT: PLEASE READ THESE INSTRUCTIONS CAREFULLY. NOTE THE SAFE OPERATIONAL REQUIREMENTS, WARNINGS AND CAUTIONS. USE THIS PRODUCT CORRECTLY AND WITH CARE FOR THE PURPOSE FOR WHICH IT IS INTENDED. FAILURE TO DO SO MAY CAUSE DAMAGE AND/OR PERSONAL INJURY, AND WILL INVALIDATE THE WARRANTY. PLEASE KEEP INSTRUCTIONS SAFE FOR FUTURE USE.

1. SAFETY INSTRUCTIONS

- ✓ Ensure that the engine support is in good working order. Take action for immediate repair or replacement of damaged parts. Use genuine parts only. The use of unauthorised parts may be dangerous and will invalidate the warranty.
- ✓ Locate the vehicle in a suitable, well lit work area.
- ✓ Keep work area clean and tidy and free from unrelated materials.
- ✓ Ensure the vehicle handbrake is engaged and the engine/motor is switched off.
- ✓ Ensure all non-essential persons keep a safe distance whilst the engine support is in use.
- ✗ **DO NOT** use the engine support if damaged.
- ✗ **DO NOT** allow untrained persons to operate the engine support.
- ✗ **DO NOT** use the engine support for purposes other than that for which it is designed.
- ✗ **DO NOT** exceed the rated capacity of the engine support.
- ✓ When not in use, store engine support in a safe, dry, childproof area.

2. INTRODUCTION & SPECIFICATION

Fig. 1



2.1. The ES600 is suitable for heavy engines including 6-cylinder variants. Supports engine during maintenance operations including engine mounting replacement. Beam is supported on 2 rubber covered feet with 3rd, height adjustable foot resting on the front of the vehicle. Supplied with 2 short lifting chains.

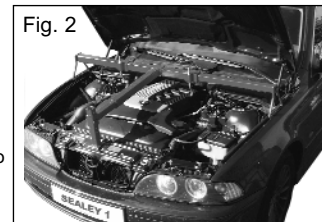
2.2. Maximum Capacity 600kg Length min/max 600/*875mm
 Width min/max 1010/*1210mm * Allows 200mm safety margin

3. ASSEMBLY INSTRUCTIONS

Note: Numbers in brackets refer to item numbers shown in the parts diagram.

- 3.1. Slide the moveable beam assembly (11) onto the beam (1).
- 3.2. Slide the two moveable beams (7) into position as required. Note: The moveable beams (7) can be fitted either side of the moveable beam assembly (11), as shown in fig.1. or one can be fitted to the moveable beam assembly (11).
- 3.3. Adjust the position of the moveable beams (7) to provide the optimum weight distribution.
- 3.4. Remove the bolts and washers (4 & 2) from the ends of the beam (1) and telescopic beam (16). Fit the standing platform assemblies (3) and secure using the bolts and washers previously removed.
- 3.5. Slide the telescopic beam (16) inside the beam (1).
- 3.6. Remove the pin (13) from the support arm (15), slide the telescopic beam assembly (12) onto the support arm, adjust for the required position and secure by fitting the pin through both items.
- 3.7. Slide the telescopic beam assembly (12) into the moveable beam assembly (11).
- 3.8. Remove the nut (5) and washer (6) from both "J" hooks (8), insert the "J" hooks through the locating tubes on the moveable beams and refit the washers and nuts.
- 3.9. The engine support is now ready for use.

Fig. 2

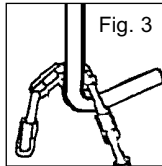


4. OPERATING INSTRUCTIONS

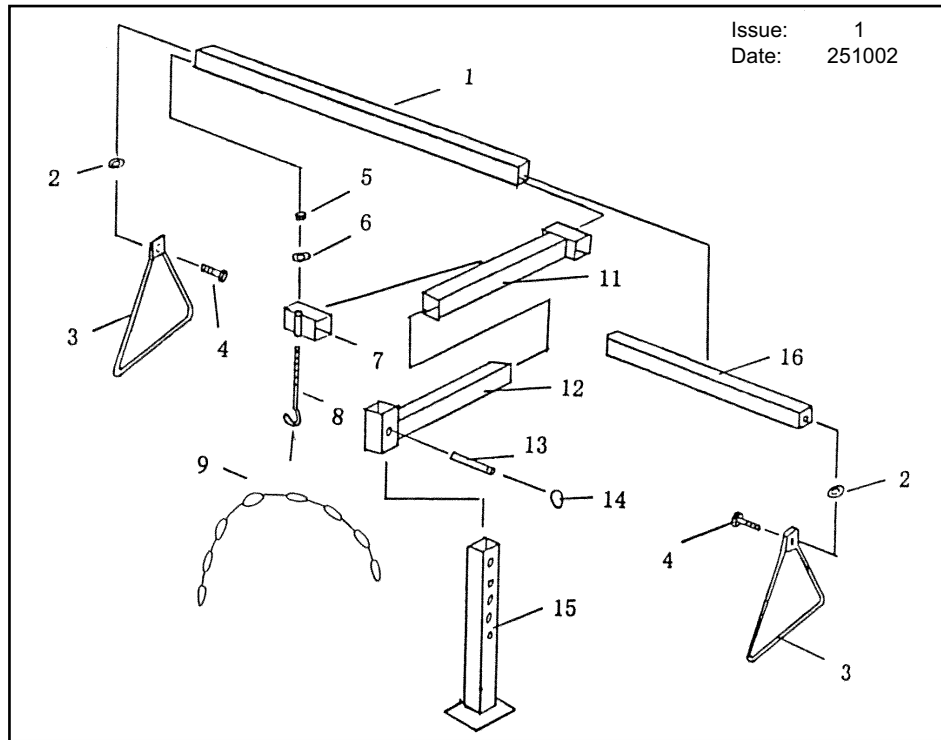
Note: Numbers in brackets refer to item numbers shown in the parts diagram.

- 4.1. Position the support beam over the engine with the standing platform assemblies (3) in the gutters of the wing panels, or close to the suspension strut towers and the support arm positioned on the front cross member of the car, as shown in fig.2.

- 4.2. Attach the chains to engine lifting points and hook them over the "J" hooks as shown in fig.3. Note: Refer to manufacturer's handbook to identify lifting brackets.
- 4.3. Tighten the nuts (5) to tension the chain and support the engine.
- 4.4. On completion of the maintenance task, loosen the nuts (5) to release the tension on the chain. Remove the engine support from the vehicle.
- 4.5. Remove the chain from the engine lifting points.



5. PARTS



Issue: 1
Date: 251002

Item	Part No	Description	Item	Part No	Description
1	ES600-01	Beam	9	ES600-09	Chain
2	ES600-02	Washer	11	ES600-11	Moveable beam assembly
3	ES600-03	Standing platform assembly	12	ES600-12	Telescopic beam assembly
4	ES600-04	Bolt	13	ES600-13	Pin
5	ES600-05	Nut	14	ES600-14	Ring
6	ES600-06	Washer	15	ES600-15	Support arm
7	ES600-07	Moveable beam	16	ES600-16	Telescopic beam
8	ES600-08	"J" Hook			

NOTE: It is our policy to continually improve products and as such we reserve the right to alter data, specifications and component parts without prior notice.

IMPORTANT: No liability is accepted for incorrect use of this equipment.

WARRANTY: Guarantee is 12 months from purchase date, proof of which will be required for any claim.

INFORMATION: For a copy of our latest catalogue and promotions, call us on 01284 757525 and leave your full name and address including your postcode.



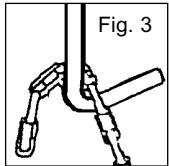
Sole UK Distributor
Sealey Group, Bury St. Edmunds, Suffolk.

01284 757500 01284 703534

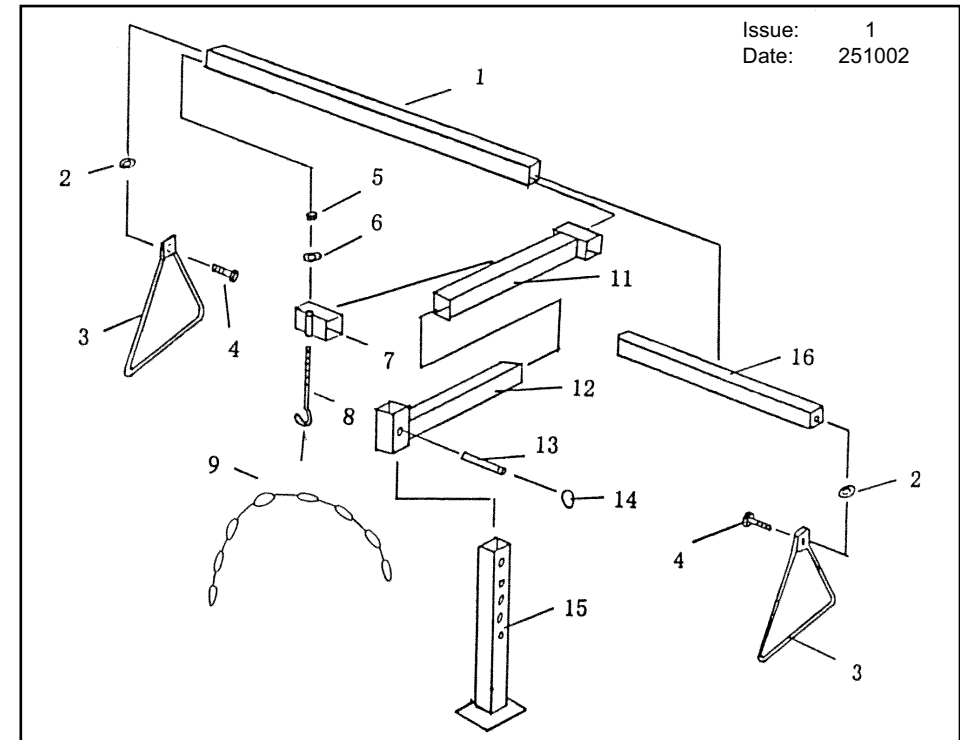
E-mail: sales@sealey.co.uk
Web: www.sealey.co.uk

ES600 - 1 - 251002

- 4.2. Attach the chains to engine lifting points and hook them over the "J" hooks as shown in fig.3. Note: Refer to manufacturer's handbook to identify lifting brackets.
- 4.3. Tighten the nuts (5) to tension the chain and support the engine.
- 4.4. On completion of the maintenance task, loosen the nuts (5) to release the tension on the chain. Remove the engine support from the vehicle.
- 4.5. Remove the chain from the engine lifting points.



5. PARTS



Issue: 1
Date: 251002

Item	Part No	Description	Item	Part No	Description
1	ES600-01	Beam	9	ES600-09	Chain
2	ES600-02	Washer	11	ES600-11	Moveable beam assembly
3	ES600-03	Standing platform assembly	12	ES600-12	Telescopic beam assembly
4	ES600-04	Bolt	13	ES600-13	Pin
5	ES600-05	Nut	14	ES600-14	Ring
6	ES600-06	Washer	15	ES600-15	Support arm
7	ES600-07	Moveable beam	16	ES600-16	Telescopic beam
8	ES600-08	"J" Hook			

NOTE: It is our policy to continually improve products and as such we reserve the right to alter data, specifications and component parts without prior notice.

IMPORTANT: No liability is accepted for incorrect use of this equipment.

WARRANTY: Guarantee is 12 months from purchase date, proof of which will be required for any claim.

INFORMATION: For a copy of our latest catalogue and promotions, call us on 01284 757525 and leave your full name and address including your postcode.



Sole UK Distributor
Sealey Group, Bury St. Edmunds, Suffolk.

01284 757500 01284 703534

E-mail: sales@sealey.co.uk
Web: www.sealey.co.uk

ES600 - 1 - 251002