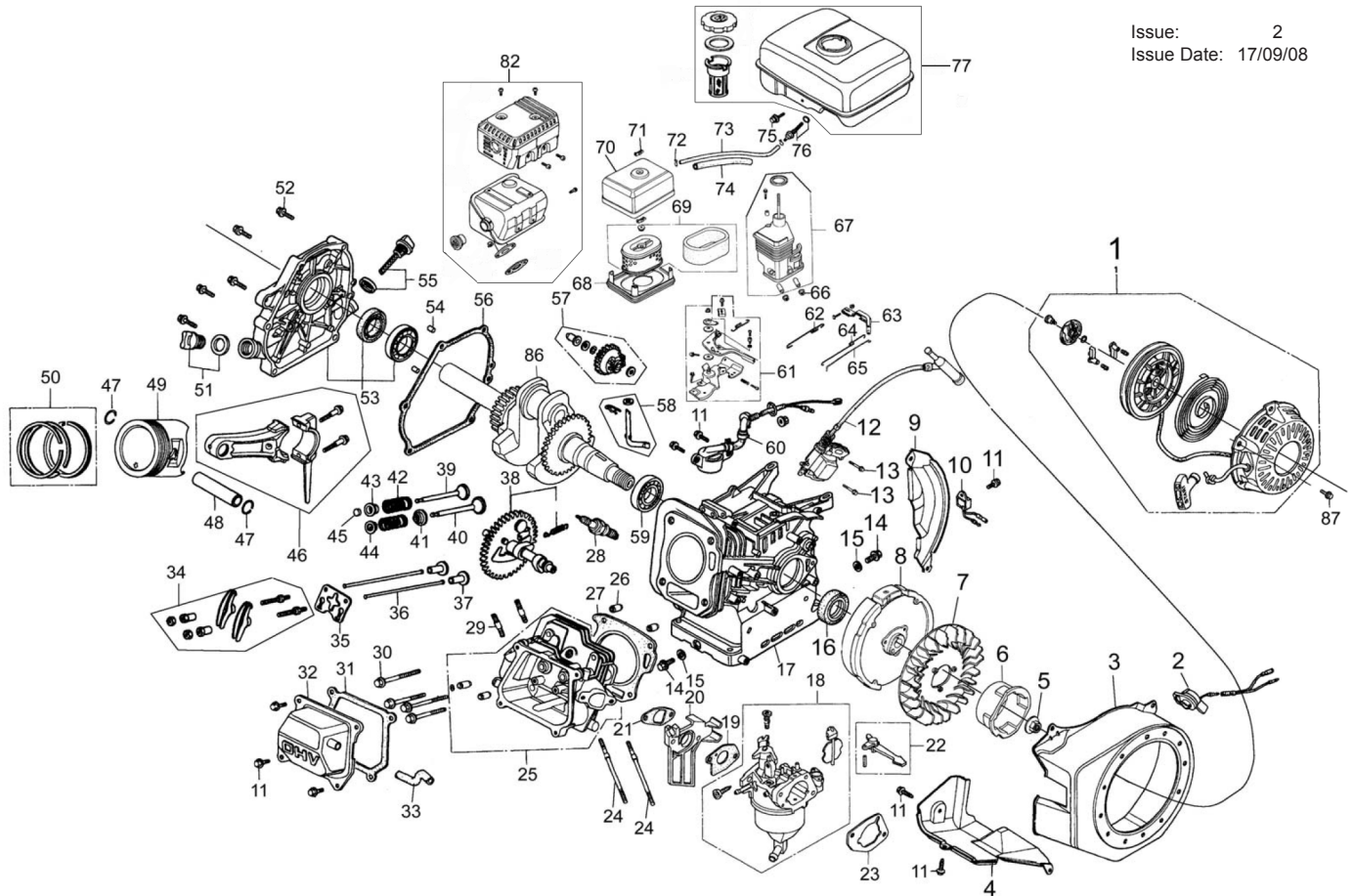


ENGINE PARTS



Issue: 2
 Issue Date: 17/09/08

NOTE: N/S = Not Shown On Diagram

ITEM	PART NO	DESCRIPTION	ITEM	PART NO	DESCRIPTION	ITEM	PART NO	DESCRIPTION
1	PCM2500.01	RECOIL STARTER COMP.	28	PCM2500.28	SPARK PLUG	55	PCM2500.55	OIL FILLER CAP ASS'Y
2	PCM2500.02	SWITCH	29	PCM2500.29	BOLT HEAD (M8x32)	56	PCM2500.56	CASE COVER GASKET
3	PCM2500.03	FAN COVER COMPLETE	30	PCM2500.30	FLANGE BOLT (M8x60)	57	PCM2500.57	GOVERNOR ASS'Y
4	PCM2500.04	SHROUD COMPLETE	31	PCM2500.31	EXHAUST GASKET	58	PCM2500.58	SHAFT, GOVERNOR ASS'Y
5	PCM2500.05	FLANGE NUT M14	32	PCM2500.32	HEAD COVER COMPLETE	59	B/6205	RADIAL BEARING (6025)
6	PCM2500.06	STARTER PULLEY	33	PCM2500.33	MUFFLER GASKET	60	PCM2500.60	OIL LEVEL SWITCH ASS'Y
7	PCM2500.07	COOLING FAN	34	PCM2500.34	VALVE ROCKER ARM ASS'Y	61	PCM2500.61	CONTROL ASS'Y
8	PCM2500.08	FLYWHEEL COMPLETE	35	PCM2500.35	PUSHROD GUIDE PLATE	62	PCM2500.62	GOVERNOR SPRING
9	PCM2500.09	SIDE PLATE	36	PCM2500.36	PUSHROD	63	PCM2500.63	GOVERNOR ARM
10	PCM2500.10	DIODE	37	PCM2500.37	VALVE LIFTER	64	PCM2500.64	THROTTLE RETURN SPRING
11	PCM2500.11	FLANGE BOLT (M6x12)	38	PCM2500.38	CAMSHAFT ASS'Y	65	PCM2500.65	GOVERNOR ROD
12	PCM2500.12	IGNITION COIL ASS'Y	39	PCM2500.39	VALVE, EX.	66	PCM2500.66	NUT M6
13	PCM2500.13	FLANGE BOLT (M6x25)	40	PCM2500.40	VALVE, IN.	67	PCM2500.67	AIR CLEANER CASE COMP.
14	PCM2500.14	DRAIN BOLT	41	PCM2500.41	VALVE SPRING SEAT	68	PCM2500.68	AIR CLEANER SEPARATOR
15	PCM2500.15	DRAIN WASHER	42	PCM2500.42	VALVE SPRING	69	PCM2500.69	AIR CLEANER ELEMENT
16	PCM2500.16	OIL SEAL (24*41.25*6)	43	PCM2500.43	VALVE SPRING RETAINER, EX.	70	PCM2500.70	AIR CLEANER COVER
17	PCM2500.17	CRANKCASE ASS'Y	44	PCM2500.44	VALVE SPRING RETAINER, IN.	71	PCM2500.71	NUT M6
18	PCM2500.18	CARBURETOR ASS'Y	45	PCM2500.45	VALVE ROTATOR	72	PCM2500.72	TUBE CLIP
19	PCM2500.19	CARBURETOR GASKET	46	PCM2500.46	CONNECTING ROD ASS'Y	73	PCM2500.73	FUEL TUBE
20	PCM2500.20	CARBURETOR INSULATOR	47	PCM2500.47	PISTON PIN CLIP	74	PCM2500.74	RUBBER SUPPORT
21	PCM2500.21	INSULATOR GASKET	48	PCM2500.48	PISTON PIN	75	PCM2500.75	FLANGE BOLT (M6x25)
22	PCM2500.22	CHOKE LEVEL COMPLETE	49	PCM2500.49	PISTON	76	PCM2500.76	FUEL TANK JOINT
23	PCM2500.23	AIR CLEANER GASKET	50	PCM2500.50	PISTON RING SET	77	PCM2500.77	FUEL TANK
24	PCM2500.24	BOLT HEAD (6x112)	51	PCM2500.51	OIL CAP	82	PCM2500.82	MUFFLER ASS'Y
25	PCM2500.25	CYLINDER HEAD COMP.	52	PCM2500.52	FLANGE BOLT (M8x32)	86	PCM2500.86	CRANKSHAFT COMPLETE
26	PCM2500.26	DOWEL PIN (10x16)	53	PCM2500.53	CRANKCASE COVER ASS'Y	87	PCM2500.87	FLANGE BOLT (M6x8)
27	PCM2500.27	CYLINDER HEAD GASKET	54	PCM2500.54	DOWEL PIN (8x14)			

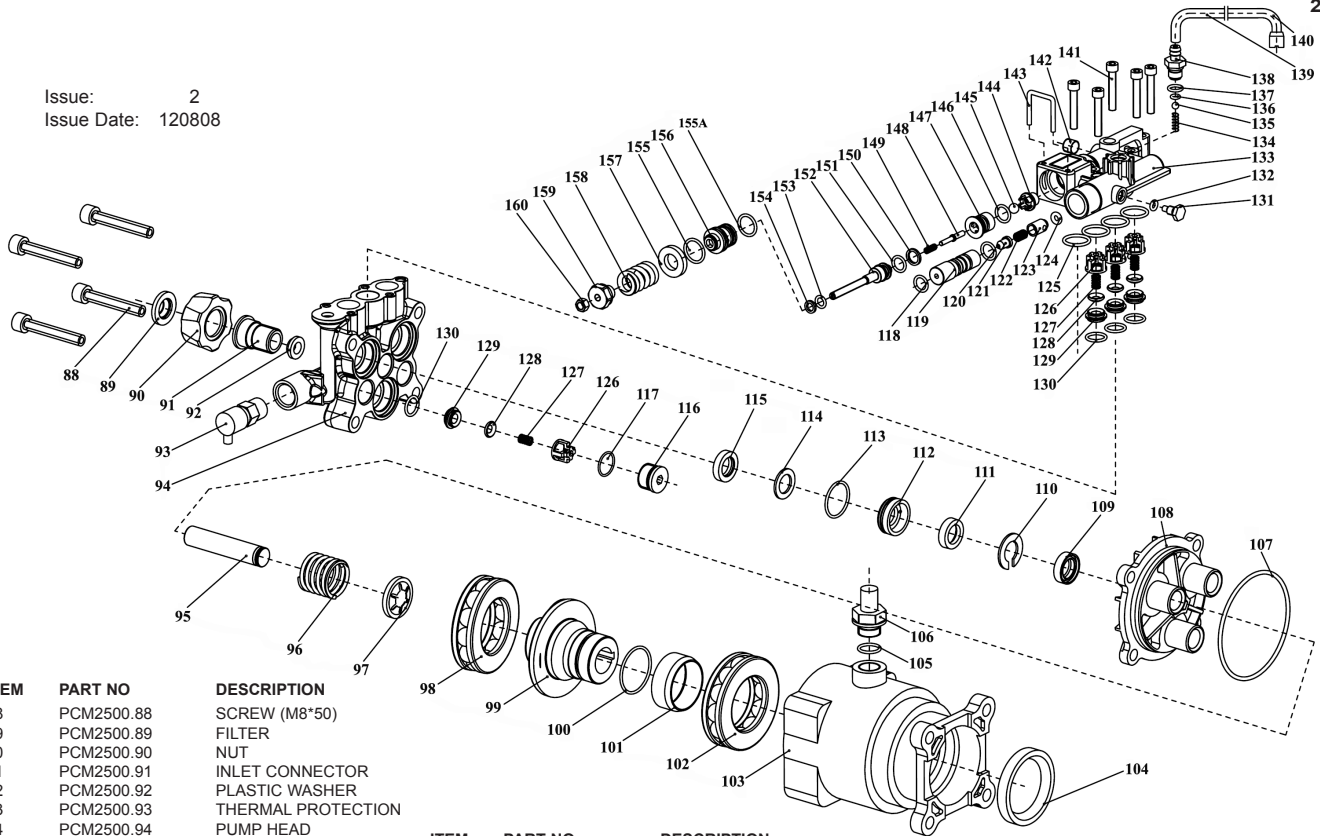
NOTE: It is our policy to continually improve products and as such we reserve the right to alter data, specifications and component parts without prior notice.

IMPORTANT: No liability is accepted for incorrect use of product.

WARRANTY: Guarantee is 12 months from purchase date, proof of which will be required for any claim.

INFORMATION: For a copy of our latest catalogue and promotions call us on 01284 757525 and leave your full name and address, including postcode.

Issue: 2
 Issue Date: 120808



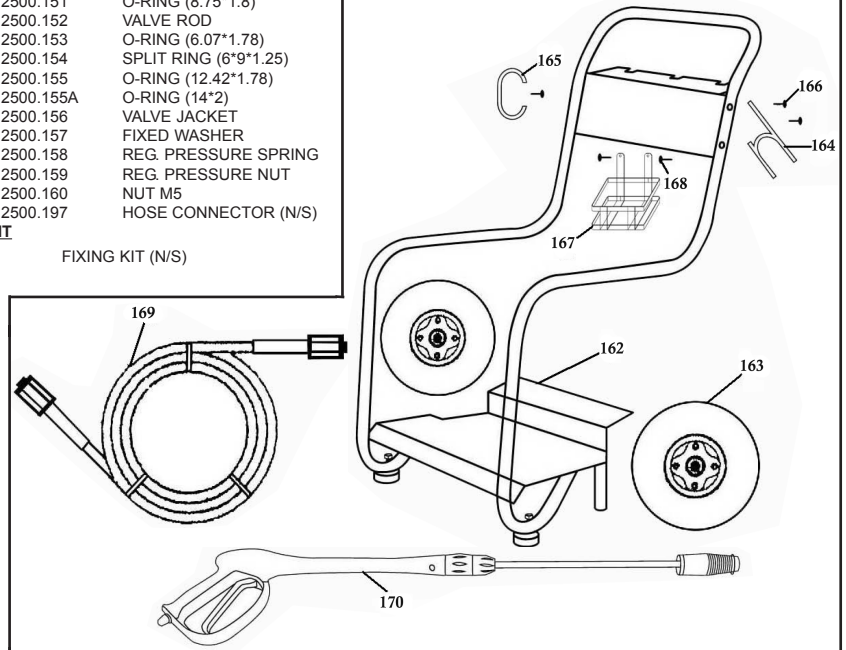
ITEM	PART NO	DESCRIPTION
88	PCM2500.88	SCREW (M8*50)
89	PCM2500.89	FILTER
90	PCM2500.90	NUT
91	PCM2500.91	INLET CONNECTOR
92	PCM2500.92	PLASTIC WASHER
93	PCM2500.93	THERMAL PROTECTION
94	PCM2500.94	PUMP HEAD
95	PCM2500.95	PLUNGER
96	PCM2500.96	SPRING
97	PCM2500.97	SPRING PLATE
98	PCM2500.98	THRUST BEARING (1)
99	PCM2500.99	WOBBLE PLATE
100	PCM2500.100	O-RING (31.47*1.78)
101	PCM2500.101	OIL SEAL SLEEVE
102	PCM2500.102	THRUST BEARING (2)
103	PCM2500.103	BACK HOUSING
104	PCM2500.104	OIL SEAL
105	PCM2500.105	O-RING (13.2*1.8)
106	PCM2500.106	PLUG
107	PCM2500.107	O-RING (75*2.65)
108	PCM2500.108	PLUNGER SEAT
109	PCM2500.109	OIL SEAL
110	PCM2500.110	WASHER
111	PCM2500.111	SEAL RING
112	PCM2500.112	SEAL RING SEAT
113	PCM2500.113	O-RING (23.52*1.78)
114	PCM2500.114	WATER SEAL GASKET
115	PCM2500.115	WATER SEAL
116	PCM2500.116	VALVE BONNET
117	PCM2500.117	O-RING (14*1.78)
118	PCM2500.118	O-RING (10*1.8)
119	PCM2500.119	TUBE
120	PCM2500.120	O-RING (9*1.8)
121	PCM2500.121	NOZZLE
122	PCM2500.122	CHECK VALVE SPRING
123	PCM2500.123	CHECK VALVE CORE
124	PCM2500.124	O-RING (4*2.62)
125	PCM2500.125	O-RING (16*2)
126	PCM2500.126	VALVE COVER
127	PCM2500.127	VALVE SPRING
128	PCM2500.128	VALVE PLATE
129	PCM2500.129	VALVE SEAT
130	PCM2500.130	O-RING (11.8*1.8)
131	PCM2500.131	BULKHEAD (2)
132	PCM2500.132	O-RING (4*2)
133	PCM2500.133	OUTLET VALVE BODY
134	PCM2500.134	SPRING
135	PCM2500.135	STEEL BALL
136	PCM2500.136	O-RING (3.68*1.78)
137	PCM2500.137	O-RING (7.65*1.78)
138	PCM2500.138	DETERGENT INJECTION CONNECTOR
139	PCM2500.139	DETERGENT HOSE

ITEM	PART NO	DESCRIPTION
140	PCM2500.140	DETERGENT FILTER
141	PCM2500.141	SCREW (M5*10)
142	PCM2500.142	BULKHEAD (1)
143	PCM2500.143	U-PIN
144	PCM2500.144	SEAT
145	PCM2500.145	STEEL BALL
146	PCM2500.146	O-RING (9.5*1.8)
147	PCM2500.147	UPPER SEAT
148	PCM2500.148	TOP PIN
149	PCM2500.149	SPRING
150	PCM2500.150	SPLIT RING (9*12*1.25)
151	PCM2500.151	O-RING (8.75*1.8)
152	PCM2500.152	VALVE ROD
153	PCM2500.153	O-RING (6.07*1.78)
154	PCM2500.154	SPLIT RING (6*9*1.25)
155	PCM2500.155	O-RING (12.42*1.78)
155A	PCM2500.155A	O-RING (14*2)
156	PCM2500.156	VALVE JACKET
157	PCM2500.157	FIXED WASHER
158	PCM2500.158	REG. PRESSURE SPRING
159	PCM2500.159	REG. PRESSURE NUT
160	PCM2500.160	NUT M5
161	PCM2500.161	HOSE CONNECTOR (N/S)

AVAILABLE KIT

PCM2500.FK FIXING KIT (N/S)

ITEM	PART NO	DESCRIPTION
162	PCM2500.161	FRAME
163	PCM2500.162	WHEEL
164	PCM2500.163	HOSE HOOK
165	PCM2500.164	GUN HOOK
166	PCM2500.165	SCREW
167	PCM2500.166	DETERGENT HOOK
168	PCM2500.167	SCREW
169	PCM2500.168	HIGH PRESSURE HOSE
170	PCM2500.169	GUN
--	PCM2500.170	WHEEL NUT (N/S)



NOTE: It is our policy to continually improve products and as such we reserve the right to alter data, specifications and component parts without prior notice.

IMPORTANT: No liability is accepted for incorrect use of product.

WARRANTY: Guarantee is 12 months from purchase date, proof of which will be required for any claim.

INFORMATION: For a copy of our latest catalogue and promotions call us on 01284 757525 and leave your full name and address, including postcode.