

SEALEY

DRAIN UNBLOCKER MODEL NO: SDC01

Thank you for purchasing a Sealey product. Manufactured to a high standard, this product will, if used according to these instructions, and properly maintained, give you years of trouble free performance.

IMPORTANT: PLEASE READ THESE INSTRUCTIONS CAREFULLY. NOTE THE SAFE OPERATIONAL REQUIREMENTS, WARNINGS & CAUTIONS. USE THE PRODUCT CORRECTLY AND WITH CARE FOR THE PURPOSE FOR WHICH IT IS INTENDED. FAILURE TO DO SO MAY CAUSE DAMAGE AND/OR PERSONAL INJURY AND WILL INVALIDATE THE WARRANTY. KEEP THESE INSTRUCTIONS SAFE FOR FUTURE USE.



Refer to instruction manual



Wear eye protection



Wear protective gloves



Wear protective clothing



Wear a mask

1. INTRODUCTION

- Perform a risk assessment of the task to be undertaken before beginning.
- WARNING!** Wear approved safety eye protection.
- Wear appropriate protective clothing.
- Familiarise yourself with the applications, limitations and potential hazards of the job at hand.
- Maintain the drain unblocker in good condition and kept clean.
- Maintain correct balance and footing. Ensure the floor is not slippery and wear non-slip shoes.

2. INTRODUCTION

Hand-fed 7.6m hand-fed coiled wire rod with rotating handle to clear stubborn blockages and residue. Locking mechanism retains wire rod once fed back into unit. Ø14mm tip and Ø6mm rod ideal for clearing of small diameter pipework as well as sinks, showers, baths and drains.

3. FEATURES

- Extendable, hand fed spiral rod with straight auger. (fig1.1)
- Rotating handle. (fig1.2)
- Ergonomic pistol grip handle. (fig1.3)
- Worm screw for removing stubborn blockages and clearing drains and PVC pipes.(fig1.4)
- Locking Screw (fig1.5)

4. INSTRUCTIONS

- WARNING!** Put on your PPE. Drain clearing is a messy and unpleasant job, so it's crucial that you protect yourself from any spray or splashes that may occur.
- 4.1. Locate the pipe and unscrew the drain unblocker lock screw (fig1.5). Pull out appropriate length of worm screw (fig1.4) and insert into the pipe as far as you can until you feel like you may have reached the blockage.
 - 4.2. Tighten lock screw (fig1.5) and rotate handle (fig1.2) in a clockwise rotation.
 - 4.3. Continue to rotate the worm screw handle (fig1.2) and wiggle the rod in and out of the drain slightly to see if it loosens any of the blockages.
 - 4.4. Keep an eye on the water level to see if it starts to drop at all.
 - 4.5. When the water level drops, remove the worm screw (fig1.4) by turning anti clockwise and continue to seek other parts of the pipe which may still be blocked.
 - 4.6. Re-insert the worm screw (fig1.4) and continue to wiggle in and out until the blockage is completely removed and the water level drops completely.
 - 4.7. Once you're happy that the blockage has been removed and the water level is as it should be, remove the worm screw and clean.
 - 4.8. Loosen locking screw (fig1.5) and push back worm screw into its casing then tighten locking screw.

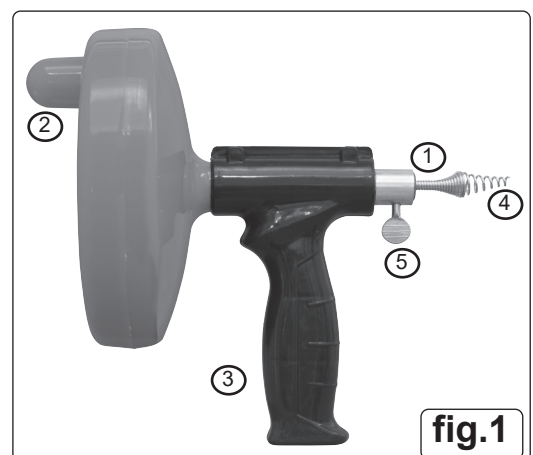


fig.1

5. MAINTENANCE

- 5.1. Keep the drain unblocker when not in use in a safe, dry, childproof location.



ENVIRONMENT PROTECTION

Recycle unwanted materials instead of disposing of them as waste. All tools, accessories and packaging should be sorted, taken to a recycling centre and disposed of in a manner which is compatible with the environment. When the product becomes completely unserviceable and requires disposal, drain any fluids (if applicable) into approved containers and dispose of the product and fluids according to local regulations.



Note: It is our policy to continually improve products and as such we reserve the right to alter data, specifications and component parts without prior notice.

Important: No Liability is accepted for incorrect use of this product.

Warranty: Guarantee is 12 months from purchase date, proof of which is required for any claim.

Sealey Group, Kempson Way, Suffolk Business Park, Bury St Edmunds, Suffolk. IP32 7AR



01284 757500



01284 703534



sales@sealey.co.uk



www.sealey.co.uk