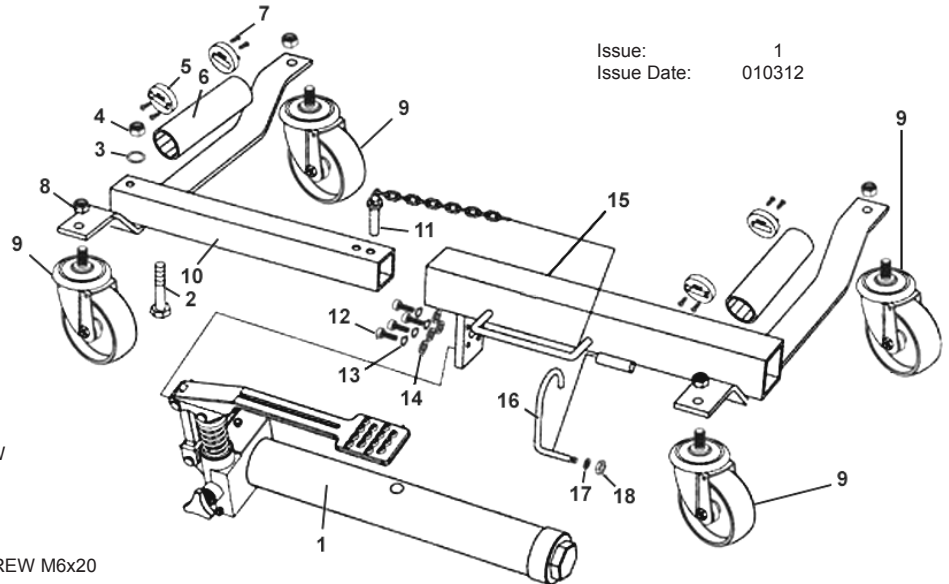


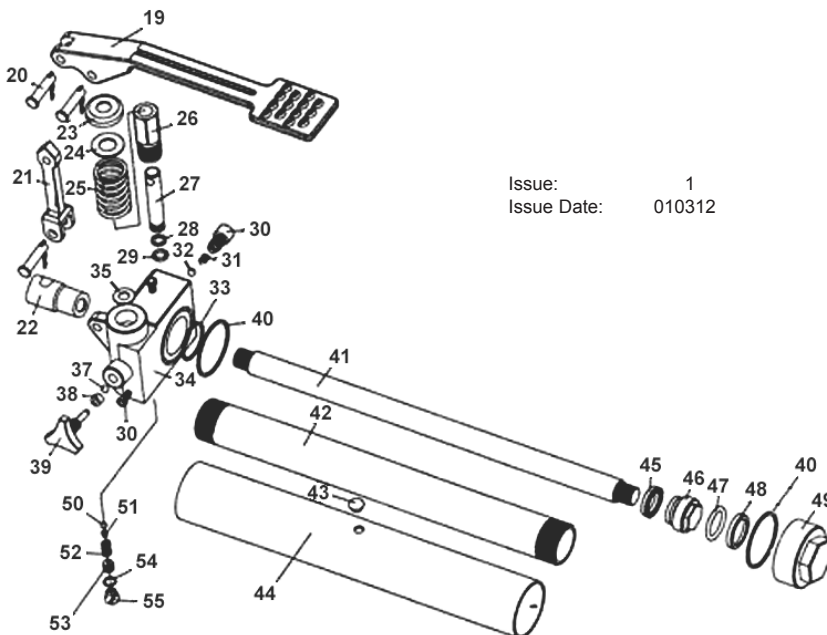
MAIN ASSEMBLY

ITEM	PART NO	DESCRIPTION
1	WS650.01	HYDRAULIC UNIT ASS'Y
2	WS650.02	BOLT (M16x115)
3	WS650.03	FLAT WASHER M16
4	WS650.04	NUT M16
5	WS650.05	ROLLER RACEWAY
6	WS650.06	ROLLER
7	WS650.07	RACEWAY LOCK SCREW
8	WS650.08	LOCK NUT M12
9	WS650.V2-W	SWIVEL CASTOR 4"
10	WS650.10	FRAME (LEFT SIDE)
11	WS650.11	LOCK PIN WITH CHAIN
12	WS650.12	HEX HEAD SOCKET SCREW M6x20
13	WS650.13	LOCK WASHER M6
14	WS650.14	FLAT WASHER M6
15	WS650.15	FRAME (RIGHT SIDE)
16	WS650.16	HOOK
17	WS650.17	WASHER FOR HOOK (RUBBER)
18	WS650.18	NUT FOR HOOK



Issue: 1
 Issue Date: 010312

HYDRAULIC UNIT



Issue: 1
 Issue Date: 010312

ITEM	PART NO	DESCRIPTION
19	WS650.19	FOOT PEDAL
20	WS650.20	PEDAL PIN (8x20)
21	WS650.21	CONNECTING ROD
22	WS650.22	CONNECTING BOLT
23	WS650.23	SPRING COVER
24	WS650.24	FLAT WASHER
25	WS650.25	SPRING
26	WS650.26	PUMP
27	WS650.27	PUMP CORE
28	WS650.28	O-RING
29	WS650.29	BACK-UP RING
30	WS650.30	SCREW M10x1.25
31	WS650.31	SPRING
32	WS650.32	STEEL BALL (6mm)
33	WS650.33	COPPER WASHER
34	WS650.34	RAM BASE
35	WS650.35	COPPER WASHER
36	WS650.36	SCREW M5
37	WS650.37	STEEL BALL (5mm)
38	WS650.38	SEAL RING
39	WS650.39	REVERSE VALVE
40	WS650.40	WASHER
41	WS650.41	RAM
42	WS650.42	CYLINDER
43	WS650.43	OIL PLUG
44	WS650.44	TANK
45	WS650.45	Y-RING
46	WS650.46	PISTON
47	WS650.47	PISTON O-RING
48	WS650.48	BOWL SEAL RING
49	WS650.49	TANK NUT
50	WS650.50	STEEL BALL (6mm)
51	WS650.51	STEEL BALL SEAT
52	WS650.52	SAFETY VALVE SPRING
53	WS650.53	SAFETY VALVE SCREW
54	WS650.54	O-RING
55	WS650.55	SCREW

NOTE: It is our policy to continually improve products and as such we reserve the right to alter data, specifications and component parts without prior notice.

IMPORTANT: No liability is accepted for incorrect use of product.

WARRANTY: Guarantee is 12 months from purchase date, proof of which will be required for any claim.

INFORMATION: For a copy of our latest catalogue and promotions call us on 01284 757525 and leave your full name and address, including postcode.