



LONG REACH DRYWALL ELECTRIC SANDER

Ø215MM 600W

MODEL NO: TDWS600

Thank you for purchasing a Sealey product. Manufactured to a high standard, this product will, if used according to these instructions, and properly maintained, give you years of trouble free performance.

IMPORTANT: PLEASE READ THESE INSTRUCTIONS CAREFULLY. NOTE THE SAFE OPERATIONAL REQUIREMENTS, WARNINGS & CAUTIONS. USE THE PRODUCT CORRECTLY AND WITH CARE FOR THE PURPOSE FOR WHICH IT IS INTENDED. FAILURE TO DO SO MAY CAUSE DAMAGE AND/OR PERSONAL INJURY AND WILL INVALIDATE THE WARRANTY. KEEP THESE INSTRUCTIONS SAFE FOR FUTURE USE.



Refer to instructions



Wear eye protection



Wear protective gloves



Wear ear protection



Wear a mask

1. SAFETY

1.1. ELECTRICAL SAFETY

- **WARNING!** It is the user's responsibility to check the following:

Check all electrical equipment and appliances to ensure that they are safe before using. Inspect power supply leads, plugs and all electrical connections for wear and damage. Sealey recommend that an RCD (Residual Current Device) is used with all electrical products. You may obtain an RCD by contacting your local Sealey stockist.

If the product is used in the course of business duties, it must be maintained in a safe condition and routinely PAT (Portable Appliance Test) tested.

Electrical safety information, it is important that the following information is read and understood.

- 1.1.1. Ensure that the insulation on all cables and on the appliance is safe before connecting it to the power supply.
- 1.1.2. Regularly inspect power supply cables and plugs for wear or damage and check all connections to ensure that they are secure.
- 1.1.3. **IMPORTANT:** Ensure that the voltage rating on the appliance suits the power supply to be used and that the plug is fitted with the correct fuse - see fuse rating in these instructions.
 - * **DO NOT** pull or carry the appliance by the power cable.
 - * **DO NOT** pull the plug from the socket by the cable. Remove the plug from the socket by maintaining a firm grip on the plug.
 - * **DO NOT** use worn or damaged cables, plugs or connectors. Ensure that any faulty item is repaired or replaced immediately by a qualified electrician.
- 1.1.4. This product is fitted with a BS1363/A 3 pin plug.

If the cable or plug is damaged during use, switch the electricity supply and remove from use. Replace a damaged plug with a BS1363/A 3 pin plug. If in doubt contact a qualified electrician.

Class II products are wired with live (brown) and neutral (blue) only are marked with the Class II symbol;



- A) Connect the BROWN live wire to the live terminal 'L'.
- B) Connect the BLUE neutral wire to the neutral terminal 'N'.
- C) After wiring, check that there are no bare wires and ensure that all wires have been correctly connected.

Ensure that the cable outer sheath extends inside the cable restraint and that the restraint is tight.

- * **DO NOT** connect either wire to the earth terminal.
 - 1.1.5. Power tool plugs must match the outlet. Never modify the plug in any way. **DO NOT** use any adaptor plugs with earthed (grounded) power tools. Unmodified plugs and matching outlets will reduce risk of electric shock.
 - 1.1.6. Avoid body contact with earthed or grounded surfaces, such as pipes, radiators, ranges, and refrigerators. There is an increased risk of electric shock if your body is earthed or grounded.
 - * **DO NOT** expose power tools to rain or wet conditions. Water entering a power tool will increase the risk of electric shock.
 - * **DO NOT** abuse the cord. Never use the cord for carrying, pulling, or unplugging the power tool. Keep cord away from the heat, oil, sharp edges or moving parts. Damaged or entangled cords increase the risk of electric shock.
 - 1.1.7. When operating a power tool outdoors, use an extension cord suitable for outdoor use. Use of a cord suitable for outdoor use reduces the risk of electric shock.
 - 1.1.8. If operating a power tool in a damp location is unavoidable, use a residual current device (RCD) protected supply. Use of an RCD reduces the risk of electric shock.
- Sealey recommend that repairs are carried out by a qualified electrician.

1.2. GENERAL POWER TOOL SAFETY WARNINGS

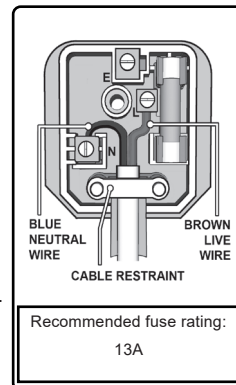
- **WARNING!** Read all safety warnings, instructions, illustrations, and specifications provided with this power tool.

Failure to follow all instructions listed below may result in electric shock, fire and/or serious injury.

- ✓ Save all warning and instructions for future reference.

1.2.1. WORK AREA SAFETY

- ✓ Keep work area clean and well lit. Cluttered or dark area invite accidents.
- * **DO NOT** operate power tools in explosive atmospheres, such as in the presence of flammable liquids, gases, or dust. Power tools create sparks which may ignite the dust or fumes.
- ✓ Keep children and bystanders away whilst operating a power tool. Distractions can cause you to lose control.
- ✓ Keep bystanders a safe distance away from work area. Anyone entering the work area must wear personal protective equipment.



- ✓ Fragments of workpiece or of a broken accessory may fly away and cause injury beyond immediate area of operation.
- 1.2.2. **SPECIFIC POWER TOOL ELECTRICAL SAFETY**
- ✓ Power tool plugs must match the outlet. Never modify the plug in any way.
 - ✗ **DO NOT** use any adaptor plugs with earthed (grounded) power tools. Unmodified plugs and matching outlets will reduce risk of electric shock.
 - ✓ Avoid body contact with earthed or grounded surfaces, such as pipes, radiators, ranges, and refrigerators. There is an increased risk of electric shock if your body is earthed or grounded.
 - ✗ **DO NOT** expose power tools to rain or wet conditions. Water entering a power tool will increase the risk of electric shock.
 - ✗ **DO NOT** abuse the cord. Never use the cord for carrying, pulling, or unplugging the power tool. Keep cord away from the heat, oil, sharp edges or moving parts. Damaged or entangled cords increase the risk of electric shock.
 - ✓ When operating a power tool outdoors, use an extension cord suitable for outdoor use. Use of a cord suitable for outdoor use reduces the risk of electric shock.
 - ✓ If operating a power tool in a damp location is unavoidable, use a residual current device (RCD) protected supply. Use of an RCD reduces the risk of electric shock.
- 1.2.3. **PERSONAL SAFETY**
- ✓ Stay alert, watch what you are doing and use common sense when operating a power tool.
 - ✗ **DO NOT** use a power tool whilst you are tired or under the influence of drugs, alcohol, or medication. A moment of inattention whilst operating power tools may result in serious injury.
 - ✓ Use personal protective equipment. Always wear eye protection. Protective equipment such as dust mask, non-skid safety shoes, hard hat or hearing protection use for appropriate conditions will reduce personal injuries.
 - ✓ Prevent unintentional starting. Ensure the switch is in the off-position before connecting to power source and/or battery pack, picking up or carrying the tool. Carrying power tools with your fingers on the switch or energising power tools that have the switch on invites accidents.
 - ✓ Remove any adjusting key or wrench before turning the power tool on. A wrench or a key left attached to a rotating part of the power tool may result in personal injury.
 - ✗ **DO NOT** overreach. Keep proper footing and balance at all times. This enables better control of the power tool in unexpected situations.
 - ✓ Dress properly. **DO NOT** wear loose clothing or jewellery. Keep your hair and clothing away from moving parts. Loose clothes, jewellery or long hair can be caught in moving parts.
 - ✓ If devices are provided for the connection of dust extraction and collection facilities, ensure these are connected and properly used. Use of dust collection can reduce dust-related hazards.
 - ✗ **DO NOT** let familiarity gained from frequent use of tools allow you to become complacent and ignore tool safety principles. A careless action can cause severe injury within a fraction of a second.
 - ✓ Wear personal protective equipment. Depending on application, use face shield, safety goggles or safety glasses. As appropriate, wear dust mask, hearing protectors, gloves and work show apron capable of stopping small abrasive or workpiece fragments. The eye protection must be capable of stopping flying debris generated by various applications. The dust mask or respirator must be capable of filtering particles generated by the particular application. Prolonged exposure to intensity noise may cause hearing loss.
 - ✗ **DO NOT** run the power tool while carry it at your side. Accidental contact with the spinning accessory could snag your clothing, pulling the accessory into your body.
- 1.2.4. **POWER TOOL USE AND CARE**
- ✗ **DO NOT** force the power tool. Use the correct power tool for your application. The correct power tool will do the job better and safer at the rate for which it was designed.
 - ✗ **DO NOT** use the power tool if the switch does not turn it on and off. Any power tool that cannot be controlled with the switch is dangerous and must be repaired.
 - ✓ Disconnect from mains supply before making any adjustments, changing accessories, or storing power tools. Such preventive safety measures reduce the risk of starting the power tool accidentally.
 - ✓ Store idle power tools out of the reach of children and do not allow persons unfamiliar with these power tools or these instructions to operate the power tool. Power tools are dangerous in the hands of untrained users.
 - ✓ Maintain power tools and accessories. Check for misalignment or binding of the moving parts, breakage of parts and any other condition that may affect the power tool's operation. If damages, have the power tool repaired before use. Many accidents are caused by poorly maintained power tools.
 - ✓ Use the power tool, accessories, and tool bits etc, in accordance with these instructions, taking into account the working conditions and the work to be performed. Use of the power tool for operations different from those intended could results in a hazardous situation.
 - ✓ Keep handles and grasping surfaces dry, clean, and free from oil and grease. Slippery handles and grasping surfaces do not allow for safe handling and control of the tool in unexpected situation.
 - ✓ Kickback is the result of power tool misuse and/or incorrect operating procedures or conditions and can be avoided by taking proper precautions:
 - ✓ Maintain a firm grip on the power tool and position your body and arm to allow you to resist kickback forces. Always use auxiliary handle, if provided, for maximum control over kickback or torque reaction during start-up. The operator can control torque reactions or kickback forces, if proper precautions are taken.
 - ✓ Never place your hand near the rotating accessory. The accessory may kickback over your hand.
 - ✗ **DO NOT** position your body in the area where power tool will move if kickback occurs. Kickback will propel the tool in the direction opposite to the wheel's movement at the point of snagging.
 - ✓ Use special care when working corners, sharp edges etc. Avoid bouncing and snagging the accessory. Corners, sharp edges or bouncing have a tendency to snag the rotating accessory and cause loss of control or kickback.
 - ✗ **DO NOT** attach a saw chain woodcarving blade or toothed saw blade.
 - ✓ This power tool is intended to function as a sander. Read all safety warnings, instructions, illustrations, and specifications provided with this power tool. Failure to follow all instructions listed below may result in electric shock, fire and/or serious injury. Operations such as grinding, wire brushing and polishing are not to be performed with this power tool. Operations for which the power tool was not designed may create a hazard and cause personal injury.
 - ✗ **DO NOT** convert this power tool to operate in a way which is not specifically designed and specified by the tool manufacturer.

Such a conversion may result in a loss of control and cause serious personal injury.

- ✓ Use proper sized sanding disc paper. Follow manufacturer's recommendations, when selecting sanding paper. Large sanding paper extending too far beyond the sanding pad presents a laceration hazard and may cause snagging, tearing of the disc or kickback.
 - ✗ **DO NOT** use accessories which are not specifically designed and specified by the tool manufacturer. Just because the accessory can be attached to your power tool, it does not assure safe operation.
 - ✓ The rated speed of the accessory must be at least equal to the maximum speed marked on the power tool. Accessories running faster than their rated speed can break and fly apart.
 - ✓ The outside diameter and the thickness of your accessory must be within the capacity rating of your power tool. Incorrectly sized accessories cannot be adequately guarded or controlled.
 - ✓ The dimensions of the accessory mounting must fit the dimensions of the mounting hardware of the power tool. Accessories that do not match the mounting hardware of the power tool will run out of balance, vibrate excessively, and may cause loss of control.
 - ✗ **DO NOT** use a damaged accessory.
 - ✓ Before each use inspect the accessory such as the backing pad for cracks, tear or excess wear.
 - ✓ If power tool or accessory is dropped, inspect for damage, or install an undamaged accessory.
 - ✓ After inspecting and installing an accessory, position yourself and bystanders away from the plane of the rotating accessory and run the power tool at maximum no-load speed for one minute. Damaged accessories will normally break apart during this test time.
 - ✓ Hold the power tool by insulated gripping surfaces only, when performing an operation where the cutting accessory may contact hidden wiring or its own cord. Cutting accessory contacting a "live" wire may make exposed metal parts of the power tool "live" and could give the operator an electric shock.
 - ✓ Position the cord clear of the spinning accessory. If you lose control, the cord may be cut or snagged and your hand or arm may be pulled into the spinning accessory.
 - ✓ Never lay the power tool down until the accessory has come to a complete stop. The spinning accessory may grab the surface and pull the power tool out of your control.
 - ✓ Regularly clean the power tools air vents. The motors fan will draw the dust inside the housing and excessive accumulation of powered metal may cause electrical hazards.
 - ✗ **DO NOT** operate the power tool near flammable materials. Sparks could ignite these materials.
 - ✗ **DO NOT** use accessories that require liquid coolants. Using water or other liquid coolants may result in electrocution or shock.
- 1.2.5. **SERVICE**
- ✓ Have your power tool serviced by a qualified repair person using only identical replacement parts. This will ensure that the safety of the power tool is maintained.
 - ✓ If the supply cord of this power tool is damaged, it must be replaced by a specially prepared supply cord available from the manufacturer.
 - ✓ This tool is not intended for use by persons (including children) with reduced physical, sensory or mental capabilities, or lack of experience and knowledge, unless they have been given supervision or instruction concerning use of the tool by a person responsible for their safety.
 - ✓ Ensure that children do not play with the tool.

2. INTRODUCTION

Variable speed control extendable long reach dry wall sander with 600W motor. Ergonomic design with soft grip handle for added comfort during use. Spring loaded sanding head with Ø215mm sanding pad for easy use on a large surface area. 0°-90° Pivoting Head. Two pitch points allowing the user to work easily between 700-1000mm above head height. Fully extendable to 1650mm.

To be used in conjunction with an extractor, see website for all models available. Fitted with 4m mains cable. Supplied with 215mm sanding paper and flexible pipe with connector for dust extraction.

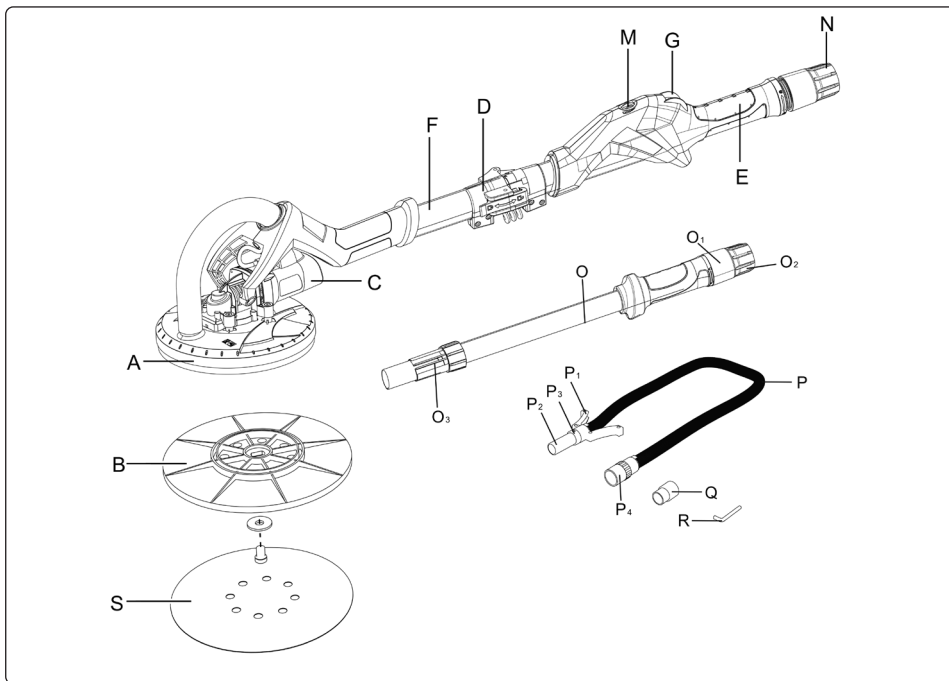
3. SPECIFICATION

Model No.:TDWS600
 Motor Power:.....600W
 No-Load Speed:.....600-1500rpm
 Pad Size: Ø215mm
 Supply:.....230V

Standard Length: 1100mm
 Extended Length:..... 1650mm
 Noise Power/Pressure: 98/87dB(A)
 Vibration/Uncertainty:..... 3.48/1.5m/s²



4. ASSEMBLY



ITEM	DESCRIPTION
A	Sanding Head
B	Sanding Pad
C	Motor Housing
D	Lock
E	Handle
F	Shaft
G	On/Off Switch
M	Speed Control
N	Dust Extraction
O	Extension
O1	Handle
O2	Dust Extraction
O3	Sleeve
P	Vacuum hose
P1	Stand
P2	Connector
P3	Suction Adjustment
P4	Vacuum Adaptor (47mm)
Q	Vacuum Adaptor (35mm)
R	Hex. Key
S	Sanding disc

4.1. SANDING PAD

- 4.1.1. To replace / fit sanding pad (item B) undo screw and remove it and washer.
4.1.2. Align replacement pad with head and refit the screw and washer.

4.2. SANDING DISK

- 4.2.1. Place the sanding disc (item S) in the centre of the sanding pad and press on.
The holes in the sanding disc must be in alignment with the extraction holes in the sanding pad.
4.2.2. Conduct a test run to check that the sanding disc is well held.

4.3. EXTENSION SHAFT

- 4.3.1. To install the extension shaft, loosen the sleeve on the dust extraction outlet (N) of the upper shaft (F). **DO NOT** remove the sleeve from the outlet.
4.3.2. Align the rear handle (O1) with the main handle (E) and insert the sleeve (O3) on the extension shaft (O) into the outlet (N) with a twist motion all the way to the stop.
4.3.3. Adjust the length of the extension shaft (O) if necessary and pay attention to the marking "max 1.65m" on the extension shaft. Tighten the sleeve (N) after assembling/adjusting the extension shaft.

4.4. DUST EXTRACTION

- 4.4.1. Loosen locking knob for length adjustment N by turning it in the direction of the unlocking symbol on the tool handle.
4.4.2. Insert Vacuum hose P into the end of the tool handle.
4.4.3. Tighten Locking knob for length adjustment N by turning it in the direction of the locking symbol on the tool handle.
4.4.4. Connect the Vacuum hose with the Ø47 mm adaptor P4 directly to an industrial vacuum cleaner (remove vacuum cleaner hose first).
4.4.5. One may also connect vacuum hose with one of the 3 adaptors to an industrial vacuum cleaner without removing the vacuum cleaner hose.
4.4.6. Control the airflow by sliding suction power adjustment ring P3 over the opening in tool connector P2.
4.4.7. The vacuuming power is at its lowest level when the opening is fully visible

4.5. ON / OFF CONTROL

- 4.5.1. Turn on/off the drywall sander by switch G.
4.5.2. Adjust the speed by turning the speed wheel M. User can choose different speed for different sanding surface.
4.5.3. Constant speed control Keep the machine running at the same speed as selected. **DO NOT** overload by excessive pressure.

4.6. SANDING OPERATIONS

- 4.6.1. Ensure that the sanding disc you are using is suited to the task, Overly coarse grit paper may remove material too quickly to control. While overly fine grit paper may clog too often and not shape down the surface.
4.6.2. Take care to avoid sharp projections and nails, etc. This will rip the sandpaper and probably damage the sponge pad as well.
4.6.3. Use proper sized sanding disc paper. Follow manufacturers recommendations when selecting sanding paper. Large sanding paper extending too far beyond the sanding pad presents a laceration hazard and may cause snagging, tearing of the disc or kickback.
4.6.4. Once the machine and vacuum cleaner are set up and all safety measures and equipment are in place, begin by turning on the vacuum cleaner and then the machine.(If you are using a vacuum cleaner with integrated switching, then simply turn the machine on).
4.6.5. Begin sanding and carefully contact the work surface as lightly as possible - just enough to keep the sanding head flat against the surface.
4.6.6. The pivot point in the sanding head allows the sanding disc to follow the contours of the work surface.
4.6.7. The best technique is to use overlapping sweeps and keep the head in constant motion. Never stop too long in any one place or there will be swirl marks.

5. MAINTENANCE

- WARNING:** Always disconnect the power source before carrying out any inspection, maintenance or cleaning.

5.1. GENERAL INSPECTION

- 5.1.1. Regularly check that all the fixings are tight.
5.1.2. Repairs should be carried out by an authorised service centre.

5.2. CLEANING

- ☐ **WARNING:** Always wear protective equipment including eye protection and gloves when cleaning this tool.
- 5.2.1. Keep your tool clean at all times. Dirt and dust will cause internal parts to wear quickly and shorten the device's service life.
- 5.2.2. Clean the body of your machine with a soft brush, or dry cloth.
- 5.2.3. Never use caustic agents to clean plastic parts. If dry cleaning is not sufficient, a mild detergent on a damp cloth is recommended.
- 5.2.4. Water must never come into contact with the body of the tool. Ensure the tool is thoroughly dry before using it.

5.3. LUBRICATION

- 5.3.1. Lightly lubricate all moving parts at regular intervals with a suitable lubricant. See Sealey.co.uk for our range of lubricants.

5.4. STORAGE

- 5.4.1. Store this tool carefully in a secure, dry place out of the reach of children.

- ☐ **WARNING!** – Risk of Hand Arm Vibration Injury.
 This tool may cause Hand Arm Vibration Syndrome if its use is not managed adequately.
 This tool is subject to the vibration testing section of the Machinery Directive 2006/42/EC.
 This tool is to be operated in accordance with these instructions.
 Measured vibration emission value (a)..... 3.48m/s²
 Uncertainty value (k):.....1.5m/s²

Please note that the application of the tool to a sole specialist task may produce a different average vibration emission. We recommend that a specific evaluation of the vibration emission is conducted prior to commencing with a specialist task. A health and safety assessment by the user (or employer) will need to be carried out to determine the suitable duration of use for each tool.

N B: Stated Vibration Emission values are type-test values and are intended to be typical. Whilst in use, the actual value will vary considerably from and depend on many factors. Such factors include; the operator, the task and the inserted tool or consumable.

NB: ensure that the length of leader hoses is sufficient to allow unrestricted use, as this also helps to reduce vibration. The state of maintenance of the tool itself is also an important factor, a poorly maintained tool will also increase the risk of Hand Arm Vibration Syndrome.

Health surveillance.
 We recommend a programme of health surveillance to detect early symptoms of vibration injury so that management procedures can be modified accordingly.

Personal protective equipment.
 We are not aware of any personal protective equipment (PPE) that provides protection against vibration injury that may result from the uncontrolled use of this tool. We recommend a sufficient supply of clothing (including gloves) to enable the operator to remain warm and dry and maintain good blood circulation in fingers etc. Please note that the most effective protection is prevention, please refer to the Correct Use and Maintenance section in these instructions. Guidance relating to the management of hand arm vibration can be found on the HSC website www.hse.gov.uk - Hand-Arm Vibration at Work.



ENVIRONMENT PROTECTION

Recycle unwanted materials instead of disposing of them as waste. All tools, accessories and packaging should be sorted, taken to a recycling centre and disposed of in a manner which is compatible with the environment. When the product becomes completely unserviceable and requires disposal, drain any fluids (if applicable) into approved containers and dispose of the product and fluids according to local regulations.



WEEE REGULATIONS

Dispose of this product at the end of its working life in compliance with the EU Directive on Waste Electrical and Electronic Equipment (WEEE). When the product is no longer required, it must be disposed of in an environmentally protective way. Contact your local solid waste authority for recycling information.

Note: It is our policy to continually improve products and as such we reserve the right to alter data, specifications and component parts without prior notice.

Important: No Liability is accepted for incorrect use of this product.

Warranty: Guarantee is 12 months from purchase date, proof of which is required for any claim.



Sealey Group, Kempson Way, Suffolk Business Park, Bury St Edmunds, Suffolk. IP32 7AR



01284 757500



sales@sealey.co.uk



www.sealey.co.uk