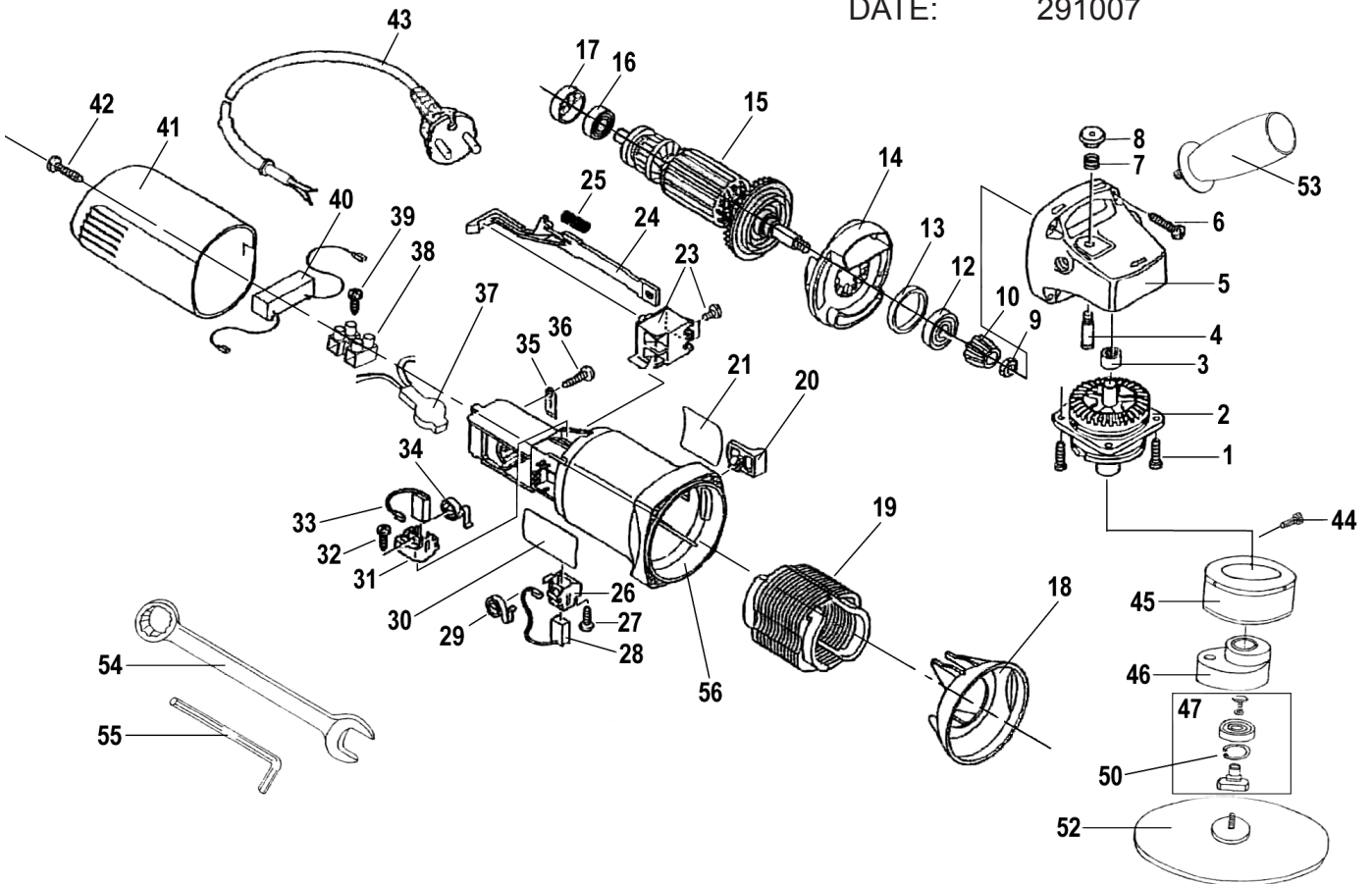




SPARE PARTS LIST FOR:
**RANDOM ORBITAL DUAL ACTION
 SANDER 230V**
 MODEL: **DAS150T.V3**

ISSUE: 2
 DATE: 291007



ITEM	PART NO	DESCRIPTION	ITEM	PART NO	DESCRIPTION
1	DAS150T.V3-01	SCREW 4x12mm	30	DAS150T.V3-30	SIDE LABEL
2	DAS150T.V3-02	GEAR/OUTPUT KIT	31	DAS150T.V3-31	CARBON BRUSH HOLDER
3	DAS150T.V3-03	ROLL-PIN BEARING	32	DAS150T.V3-32	SCREW M3x10
4	DAS150T.V3-04	LOCKING PIN	33	DAS150T.V3-33	CARBON BRUSH (SINGLE)
5	DAS150T.V3-05	GEAR BOX	34	DAS150T.V3-34	TRAY SPRING
6	DAS150T.V3-06	SCREW	35	DAS150T.V3-35	PRESS CLIP FOR CABLE
7	DAS150T.V3-07	SPRING	36	DAS150T.V3-36	SCREW M4x12
8	DAS150T.V3-08	LOCKING PIN COVER	37	DAS150T.V3-37	INDUCTANCE
9	DAS150T.V3-09	HEXAGONAL NUT	38	DAS150T.V3-38	CONNECTION BLOCK
10	DAS150T.V3-10	UMBRELLA GEAR	39	DAS150T.V3-39	SCREW
12	DAS150T.V3-12	BEARING 608LLB	40	DAS150T.V3-40	CAPACITOR
13	DAS150T.V3-13	RUBBER RING	41	DAS150T.V3-41	REAR COVER
14	DAS150T.V3-14	WEATHERBOARD	42	DAS150T.V3-42	SCREW M4x20
15	DAS150T.V3-15	ARMATURE ASSY (ROTOR)	43	DAS150T.V3-43	CA BLE
16	DAS150T.V3-16	BEARING 607LLB	44	DAS150T.V3-44	SPINDLE SCREW
17	DAS150T.V3-17	BEARING COVER	45	DAS150T.V3-45	ALUMINIUM COVER
18	DAS150T.V3-18	WEATHERBOARD	46	DAS150T.V3-46	ECCENTRIC SHAFT
19	DAS150T.V3-19	FIELD COIL	47	DAS150T.V3-47	PAD SPINDLE KIT (INC PARTS 48,49 & 51)
20	DAS150T.V3-20	SWITCH BUTTON	50	DAS150T.V3-50	RETAINING RING 32
21	DAS150T.V3-21	SIDE LABEL	52	PTC/150SA	150mm-5/16"UNF DA PAD (YELLOW)
23	DAS150T.V3-23	SWITCH	53	DAS150T.V3-53	SIDE HANDLE
24	DAS150T.V3-24	SWITCH PULL	54	DAS150T.V3-54	WRENCH 17mm
25	DAS150T.V3-25	SWITCH SPRING	55	DAS150T.V3-55	ALLEN KEY WRENCH 5mm
26	DAS150T.V3-26	CARBON BRUSH HOLDER	56	DAS150T.V3-56	MOTOR HOUSING
27	DAS150T.V3-27	SCREW M3x10			
28	DAS150T.V3-28	CARBON BRUSH (SINGLE)			
29	DAS150T.V3-29	TRAY SPRING			
			57	PTC/150A	150mm-5/16"UNF DA PAD (BLUE)
			58	PTC/150VA	150mm-5/16"UNF DA VELCRO SANDING PAD

NOT SHOWN



Sole UK Distributor
 Sealey Group,
 Bury St. Edmunds, Suffolk.

01284 757500
 01284 703534

www.sealey.co.uk
sales@sealey.co.uk