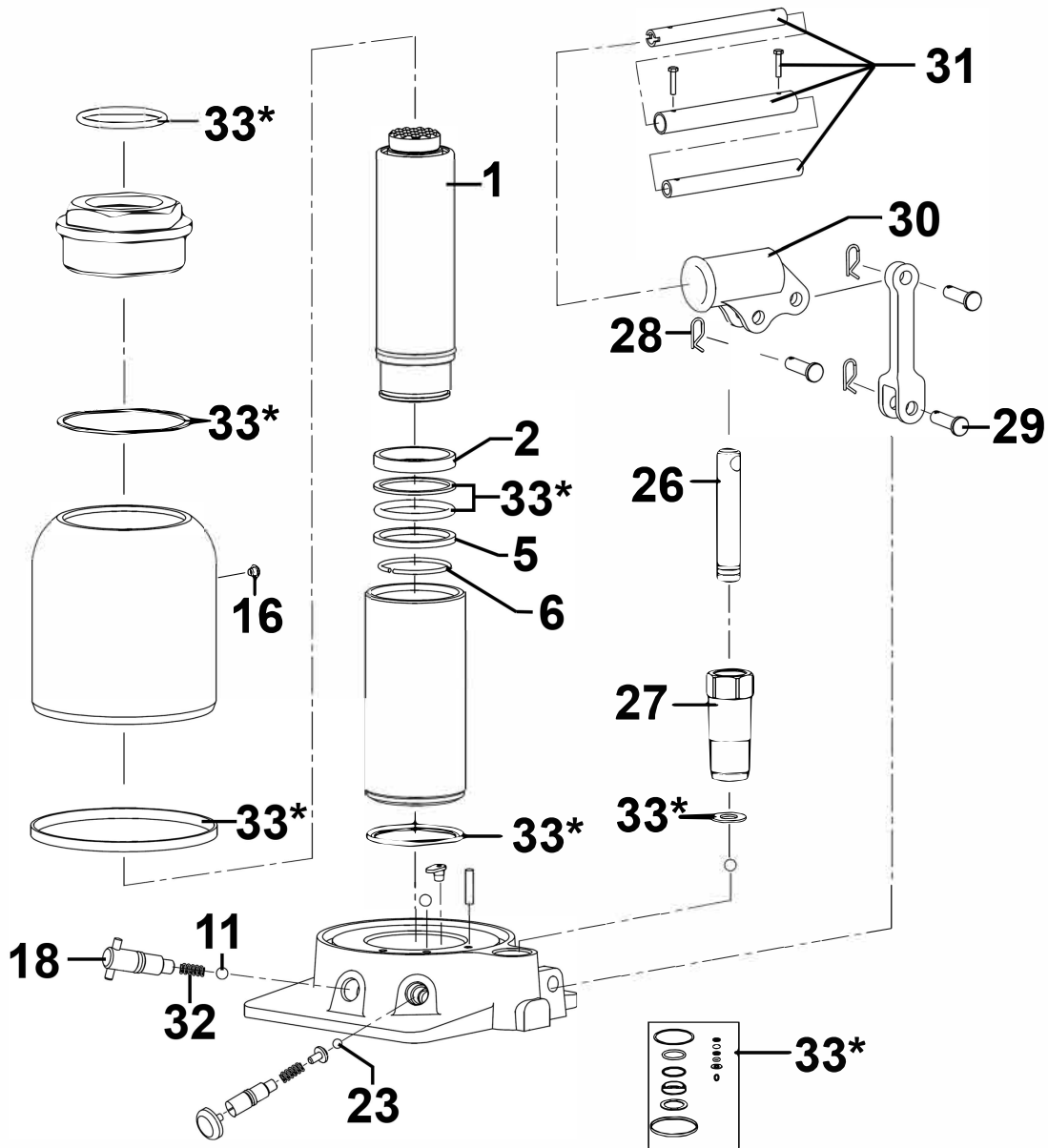




Parts Information:
Bottle Jack 2tonne Telescopic
Bottle Jack 4tonne Telescopic
Model No: SJT2 & SJT4



Item	Part No.	Description
1	SJT2-01	Dual Piston Rod Assembly (SJT2 ONLY)
1	SJT4-01	Dual Piston Rod Assembly (SJT4 ONLY)
2	SJT4-02	Guide Ring
5	SJT4-05	Guide Sleeve
6	SJT4-06	Snap Ring
11	SB-6.0	Steel Ball 6.0mm
16	SJT4-16	Oil Filler Plug
18	SJT4-18	Release Valve Assembly
23	SB-3.0	Steel Ball 3.0mm
26	SJT2-26	Pump (SJT2 ONLY)

Item	Part No.	Description
26	SJT4-26	Pump (SJT4 ONLY)
27	SJT2-27	Pump Plunger Assembly (SJT2 ONLY)
27	SJT4-27	Pump Plunger Assembly (SJT4 ONLY)
28	SJT4-28	R-Clip
29	SJT4-29	Handle Socket Pin
30	SJT2-30	Handle Socket
31	SJT2-31	Handle Assembly
32	SJT4-32	Release Valve Spring
33*	SJT4-33	Seal Kit

NOTE: It is our policy to continually improve products and as such we reserve the right to alter data, specifications and component parts without prior notice. There may be alternative versions of this product, please contact us should you require this information.

IMPORTANT: No liability is accepted for incorrect use of product. Spare parts must be fitted by a competent person

WARRANTY: Guarantee is 12 months from purchase date, proof of which will be required for any claim.

Sealey Group, Kempson Way, Suffolk Business Park, Bury St Edmunds, Suffolk. IP32 7AR



01284 757500



01284 703534



sales@sealey.co.uk



www.sealey.co.uk