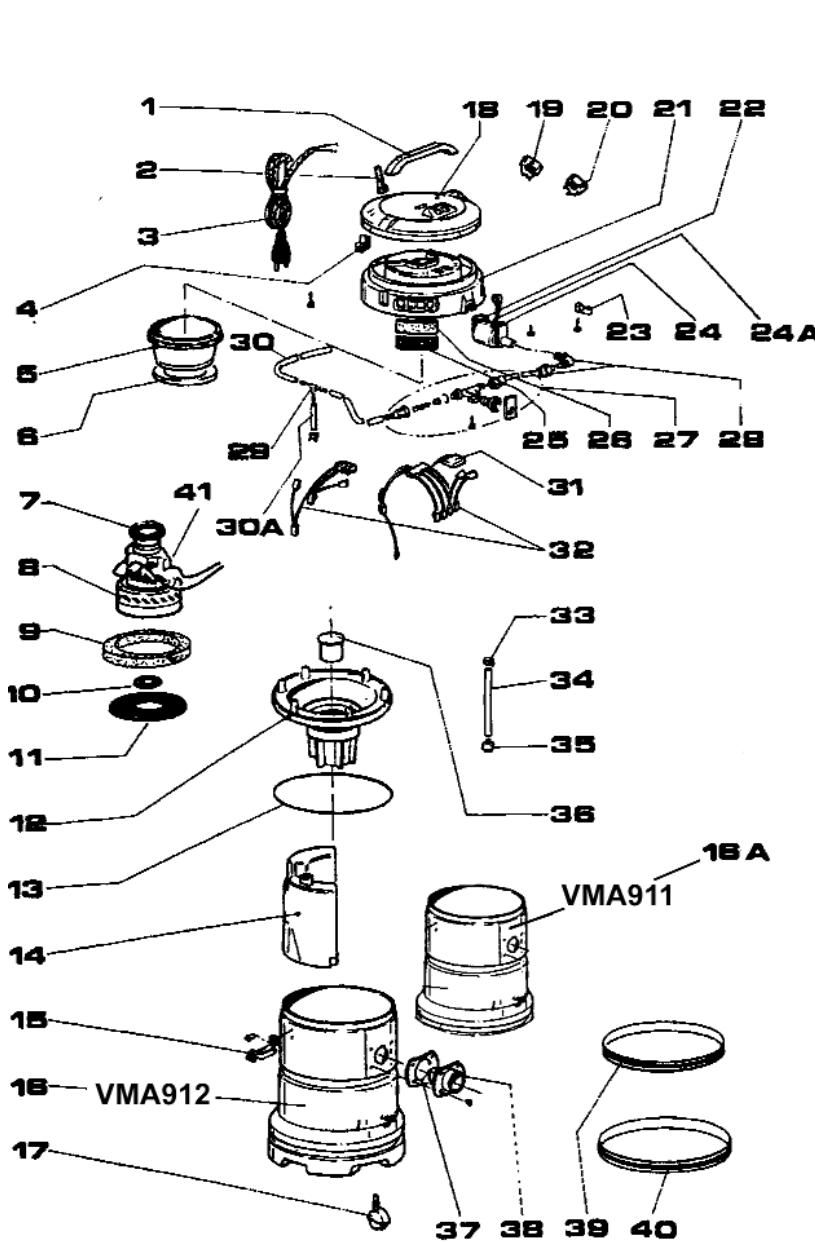


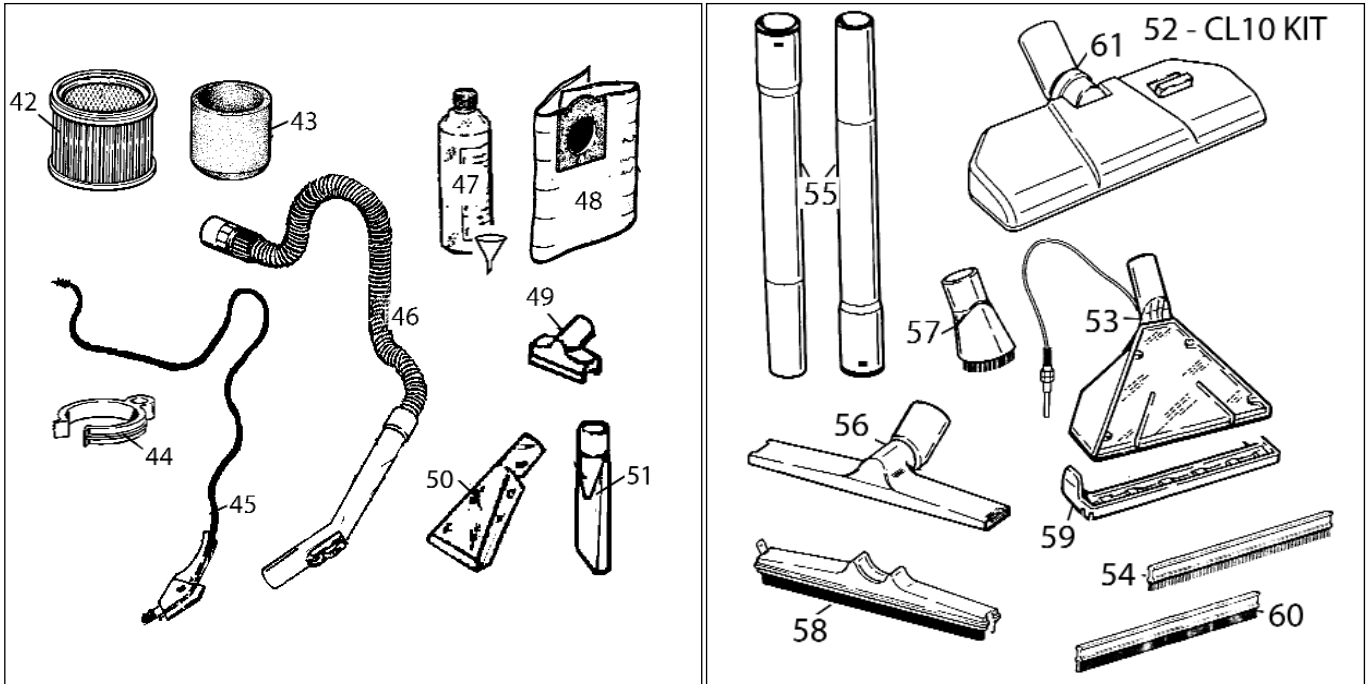
PARTS LIST FOR: AUTO VALET MACHINE
Models: VMA911 & VMA912



ITEM	PART NO	DESCRIPTION
1	186/50118BHU	Handle
2	186/50036ZON	Sleeve
3	186/80047BON	Feeder
4	186/50182B8N	Cable Fastener
5	186/50104BHU	Diaphragm
6	186/70055BON	Gasket Motor, Middle
7	186/70060B8N	Gasket Motor, Upper
8	186/20036BOX	Motor 1000 Watt
9	186/83020BHI	Silencer, Motor
10	186/50183BOV	Protection grill
11	186/70032BON	Motor Gasket, Lower
12	186/50179BOU	Cover, Lower
13	186/70011BON	Round Gasket
14	186/60213BHx	Liquid detergent tank
15	186/01017BOA	Bin Clip
16	186/60027BJA	Container VMA912
16A	186/50191BFU	Container VMA911
17	186/30086BOX	Pivoting wheel
18	186/50073BHU	Cover
19	186/80041BDN	Switch, ON/OFF
20	186/80043BOE	Switch, Pump
21	186/50070BHA	Motor cover
22	186/70121BHN	Pump, Rear
23	186/50078ZOX	Cable fastener
24	186/70120BHN	Pump, Front
24A	186/80299BHU	Pump
25	186/50170B8A	Air Vent
26	186/83021B8X	Filter grill
27	186/60307BHN	Quick Connection
28	186/60300BHN	Elbow Connection Pump
29	186/60301BHN	T-connection - rubber holder
30	186/60233BHN	Tube, PVC 340mm
30A	186/60227BHN	Tube, PVC 45mm
31	186/80025B8X	Antijamming filter
32	186/80102BHV	Connection Series
33	186/25130BHG	Washer
34	186/60229BHN	Tube, PVC 330mm
35	186/83030BHI	Pump Pick Up
36	186/50077BOV	Float
37	186/70082B5X	Gasket
38	186/50079BOA	Hose Inlet
39	186/60029BJU	Shock-proof band 96cm
40	186/60030BJU	Shock-proof band 112cm
41	186/80051BOX	Brush holder insert

Issue Date: 08112005
 Issue No: 2

NOTE: It is our policy to continually improve products and as such we reserve the right to alter data, specifications and component parts without prior notice.
IMPORTANT: No liability is accepted for incorrect use of this product.
WARRANTY: Guarantee is 12 months from purchase date, proof of which will be required for any claim.
INFORMATION: For a copy of our catalogue and latest promotions call us on 01284 757525 and leave your full name, address and postcode.



ITEM	PART NO	DESCRIPTION
42	VAC/92/DL	FILTER, CARTRIDGE
43	186/83035BHB	FILTER, FOAM
44	186/50318BHN	HOSE GRIP
45	186/01333BHN	PISTOL SYSTEM
BREAKDOWN OF ITEM 45:		
--	186/60310BHN	CONNECTION, DETERGENT HOSE
--	186/60313BHN	COUPLING, QUICK
--	186/60314BHN	TRIGGER, DETERGENT SPRAY
--	186/60216BHN	TUBE, PVC (DETERGENT HOSE)
--	186/50090BHU	COVER, TRIGGER
46	186/01300BON	HOSE COMPLETE 36mm x 2M
BREAKDOWN OF ITEM 46:		
--	186/50354BHU	ELBOW TOOL COMPLETE (*)
--	186/50358BHU	CUFF, HOSE, TOOL END
--	186/50360BHU	CUFF, HOSE OUTER, BIN END
--	186/50362BHU	CUFF, HOSE INNER, BIN END
--	186/83037BHI	FELT, HOSE CUFF TOOL END
(*) BREAKDOWN OF 186/50354BHU:		
--	186/50357BHU	AIR DEFLECTOR, ELBOW TOOL
--	186/50358BHU	CUFF, HOSE, TOOL END
--	186/83037BHI	FELT, HOSE CUFF TOOL END
47	186/89051FHI	USE VMR921/1 (CLEANING FLUID)
48	186/83015BOI	USE VAC/PFB DUST COLLECTION BAG
49	186/60252BON	PICK UP NOZZLE (100mm)
50	186/01330BHN	UPHOLSTERY TOOL 36mm
BREAKDOWN OF ITEM 50:		
--	186/30098BHX	SPRING, CONICAL
--	186/30152BHK	NOZZLE, UPHOLSTERY SPRAY HEAD
--	186/50367BHX	BODY, UPHOLSTERY SPRAY HEAD
--	186/50370BHX	COVER, UPHOLSTERY SPRAY HEAD
--	186/60220BHU	TUBE, UPHOLSTERY SPRAY HEAD
--	186/60315BHN	QUICK CONNECTION, SPRAY HEAD
--	186/60317BHN	CONNECTION, SPRAY NOZZLE
--	186/70019BHN	RUBBER SEAL

ITEM	PART NO	DESCRIPTION
51	186/60250BON	CREVICE TOOL 36mm
52	VMA912/CL10	CARPET LANCE & ACCESSORY KIT
BREAKDOWN OF ITEM 52:		
53	186/01331BHN	CARPET TOOL ASSEMBLY 36mm (*)
54	186/30094BSX	STRIP, BRISTLE
55	186/40035BHM	EXTENSION TUBE, S/S 36mm dia
56	186/50372BHN	ADAPTOR, LARGE NOZZLE 36mm
57	186/60255BON	BRUSH, ROUND
58	186/60278BON	ADAPTOR, LIQUIDS
59	186/60281BON	FRAME, MULTI PURPOSE 36mm
60	186/70071BHN	RUBBER, CARPET TOOL (PAIR)
61	186/95001FON	NOZZLE, LARGE VACUUM 36mm
(*) BREAKDOWN OF ITEM 53:		
--	186/30098BHX	SPRING, CONICAL
--	186/30150BHR	NOZZLE, CARPET SPRAY HEAD
--	186/50350BHU	BODY, CARPET SPRAY HEAD
--	186/50351BHX	COVER, CARPET SPRAY HEAD
--	186/50372BHU	BRUSH HOLDER, CARPET SPRAY HEAD
--	186/60218BHU	TUBE, DETERGENT, SPRAY HEAD 1m
--	186/60315BHN	QUICK CONNECTION, SPRAY HEAD
--	186/60317BHN	CONNECTION, SPRAY NOZZLE
--	186/70019BHN	RUBBER SEAL
--	186/70071BHN	RUBBER, CARPET TOOL (PAIR)
ALSO NOT SHOWN		
--	186/40023BOX	EXTENSION TUBE (ALUMINIUM)

Issue Date: 08112005
Issue No: 2