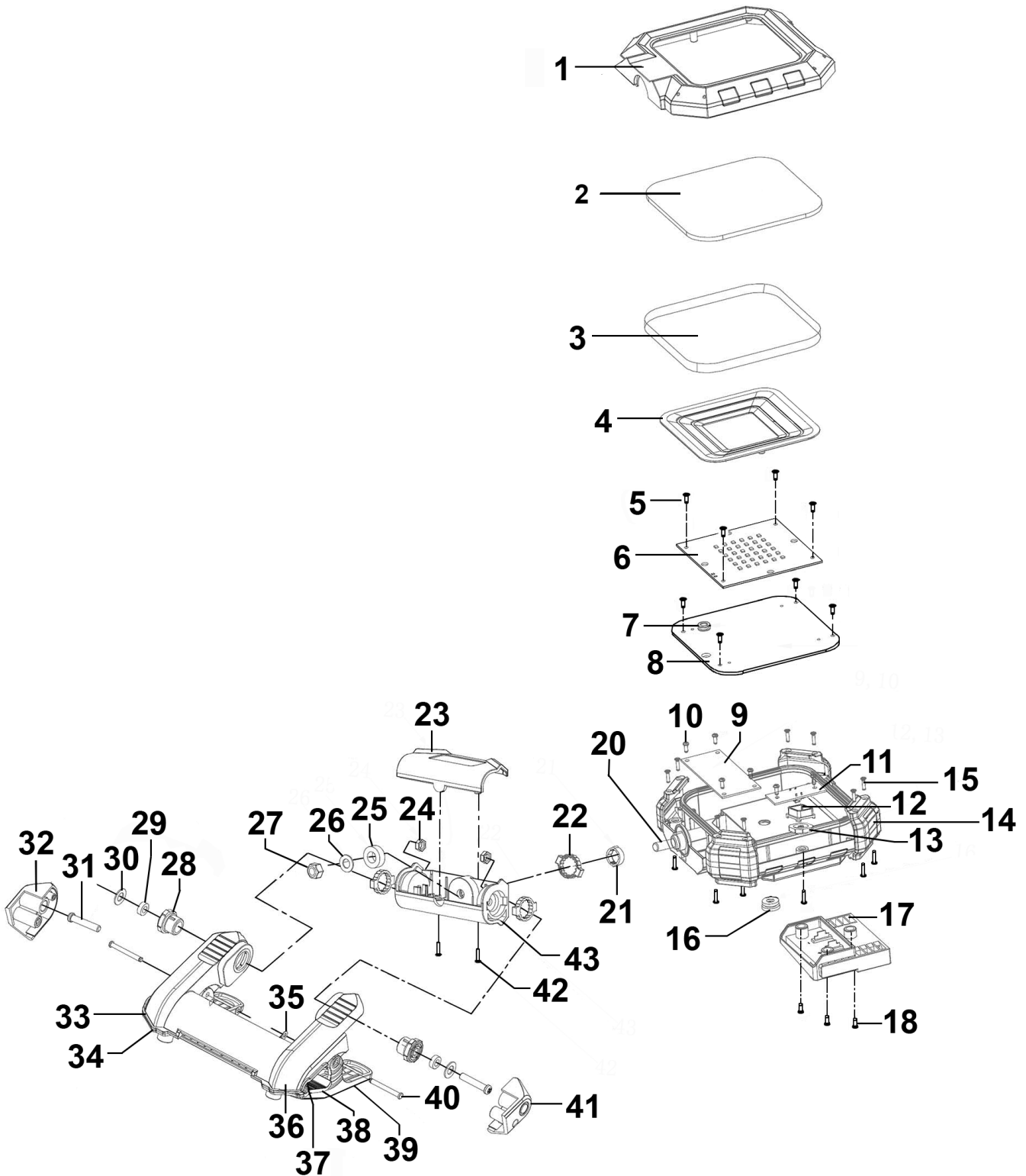




Parts Information:  
Cordless 20V SMD LED 1800lm Work Light  
- Body Only  
Model No: CP20VCL



**NOTE:** It is our policy to continually improve products and as such we reserve the right to alter data, specifications and component parts without prior notice. There may be alternative versions of this product, please contact us should you require this information.

**IMPORTANT:** No liability is accepted for incorrect use of product. Spare parts must be fitted by a competent person

**WARRANTY:** Guarantee is 12 months from purchase date, proof of which will be required for any claim.

Sealey Group, Kempson Way, Suffolk Business Park, Bury St Edmunds, Suffolk. IP32 7AR



01284 757500



01284 703534



sales@sealey.co.uk



www.sealey.co.uk



Parts Information:  
**Cordless 20V SMD LED 1800lm Work Light  
- Body Only**  
**Model No: CP20VCL**

Item	Part No.	Description
1	CP20VCL.01	Lamp Cover
2	CP20VCL.02	Glass
3	CP20VCL.03	Lamp Cover Seal
4	CP20VCL.04	Lampshade
5	MSP36.S	Machine Screw Pan Head Phillips M3 X 6mm
6	CP20VCL.06	LED
7	CP20VCL.07	Wire Cover
8	CP20VCL.08	LED Support Plate
9	CP20VCL.09	PCB
10	CP20VCL.10	Self Tapping Screw ST2.9 x 8
11	CP20VCL.11	Switch
12	CP20VCL.12	Switch Plate
13	CP20VCL.13	Switch Button
14	CP20VCL.14	Side Protection Cover (Rubber)
15	CP20VCL.15	Self Tapping Screw ST2.5 x 12
16	CP20VCL.16	Rubber Grip
17	CP20VCL.17	Battery Connection
18	CP20VCL.18	Self Tapping Screw ST2.9 x 8
20	CP20VCL.20	Lamp Body
21	CP20VCL.21	Fixing Sleeve
22	CP20VCL.22	Gear Wheel

Item	Part No.	Description
23	CP20VCL.23	Geared Box Cover
24	SN6.S	Steel Nut M6 Zinc
25	CP20VCL.25	Rubber Seal
26	FWM8.S	Flat Washer M8 Zinc
27	SN8.S	Steel Nut M8 Zinc
28	CP20VCL.28	Rotation Pivot
29	CP20VCL.29	Rubber Seal
30	FWM12.S	Flat Washer M12 Zinc
31	SS630.S	Hex Head Set Screw M6 X 30 Zinc
32	CP20VCL.32	Side Cap (A)
33	CP20VCL.33	Clamp Body Rubber Cover (A)
34	CP20VCL.34	Clamp Cover Rubber Cover (A)
35	CP20VCL.35	Ext Circlip
36	CP20VCL.36	Clamp Body
37	CP20VCL.37	Clamp Body Rubber Cover (B)
38	CP20VCL.38	Clamp Cover Rubber Cover (B)
39	CP20VCL.39	Clamp Cover
40	CP20VCL.40	Clamp Body Pin
41	CP20VCL.41	Side Cap (B)
42	CP20VCL.42	Self Tapping Screw ST2.9 x 12
43	CP20VCL.43	Gear Wheel Body

**NOTE:** It is our policy to continually improve products and as such we reserve the right to alter data, specifications and component parts without prior notice. There may be alternative versions of this product, please contact us should you require this information.

**IMPORTANT:** No liability is accepted for incorrect use of product. Spare parts must be fitted by a competent person

**WARRANTY:** Guarantee is 12 months from purchase date, proof of which will be required for any claim.

**Sealey Group**, Kempson Way, Suffolk Business Park, Bury St Edmunds, Suffolk. IP32 7AR



01284 757500



01284 703534



sales@sealey.co.uk



www.sealey.co.uk