

Issue: 1
 Issue Date: 131210

ITEM	PART NO	DESCRIPTION	ITEM	PART NO	DESCRIPTION
1	SAC3020401000	PUMP UNIT	18	SAC7190190000	NON-RETURN VALVE
2	SAC5010940008	BASE PLATE	19	SAC7192090000	SAFETY VALVE
3	SAC5157260008	TANK 150ltr	20	SAC7230010000	HOSE
4	SAC7011100000	BOLT (M8x25)	21	SAC7235230000	DELIVERY PIPE
5	SAC7011120000	SCREW (M10x45)	22	SAC4170130000	BELT GUARD KIT
6	SAC7011410000	BOLT (M10x20)	23	SAC7371260000	BELT
7	SAC7012090000	BOLT (M5x12)	24	SAC7381400000	MOTOR
8	SAC7020240000	NUT (M8)	25	SAC7406350000	MOTOR PULLEY
9	SAC7020250000	NUT (M10)	26	SAC7458860000	BELT GUARD SUPPORT
10	SAC7030030000	WASHER	27	SAC7458940000	BELT GUARD SUPPORT
11	SAC7030040000	WASHER	40	SAC4057630000	PRESSURE SWITCH KIT
12	SAC7030050000	WASHER (6x24)	41	SAC7023050000	LOCK NUT
13	SAC7080160000	ELBOW	42	SAC7088060000	CONNECTOR
14	SAC7459260000	BELT GUARD SUPPORT	43	SAC7090070000	PLUG 1/4"
15	SAC7090030000	PLUG 1/2	44	SAC7110300000	PRESSURE GAUGE
16	SAC7130150000	TAP	45	SAC7250360000	PRESSURE SWITCH
17	SAC7130160000	OUTLET TAP	46	SAC7329010000	POWER CABLE

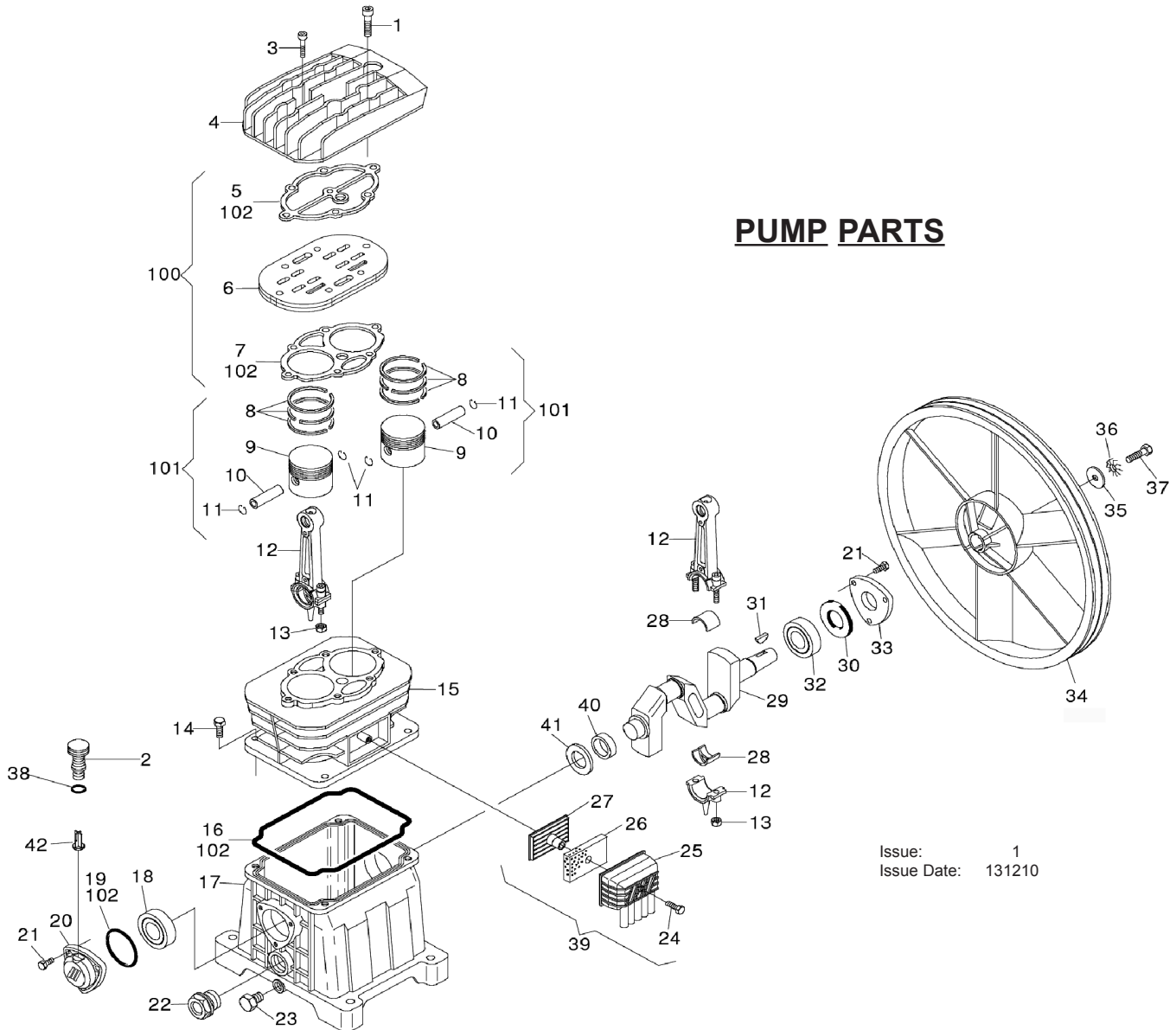
NOTE: It is our policy to continually improve products and as such we reserve the right to alter data, specifications and component parts without prior notice.

IMPORTANT: No liability is accepted for incorrect use of product.

WARRANTY: Guarantee is 12 months from purchase date, proof of which will be required for any claim.

INFORMATION: For a copy of our latest catalogue and promotions call us on 01284 757525 and leave your full name and address, including postcode.

PUMP PARTS



Issue: 1
 Issue Date: 131210

ITEM	PART NO	DESCRIPTION	ITEM	PART NO	DESCRIPTION	ITEM	PART NO	DESCRIPTION
1	SAC7010080000	HEAD BOLT	16	SAC7079440000	CRANKCASE SEAL	31	SAC7051510000	KEY
2	SAC7091120000	BREATHER PLUG	17	SAC5071040008	CRANKCASE	32	SAC7060060000	BEARING 6205
3	SAC7010140000	HEAD BOLT	18	SAC7060200000	BEARING	33	SAC7151170000	REAR COVER
4	SAC5030580008	HEAD	19	SAC7079450000	O-RING	34	SAC7201010000	FLYWHEEL
5	SAC7079470000	HEAD GASKET	20	SAC7151590000	FRONT COVER	35	SAC7030270000	WASHER
6	SAC9106380000	VALVE PLATE KIT	21	SAC7012180000	SCREW (M6x20)	36	SAC7031010000	TOOTHED WASHER
7	SAC7079480000	VALVE PLATE GASKET	22	SAC7180060000	OIL LEVEL SIGHT GLASS	37	SAC7011100000	BOLT (M8x25)
8	SAC4080120000	PISTON RING SET	23	SAC7090090000	PLUG 1/4"	38	SAC7070110000	O-RING
9	SAC7220230000	PISTON	24	SAC7012150000	SCREW (M4x45)	39	SAC4086990000	INTAKE FILTER COMPLETE
10	SAC7050180000	PISTON PIN	25	SAC7151240000	INTAKE FILTER	40	SAC7031120000	WASHER
11	SAC7041410000	SEEGER RING	26	SAC7210610000	FILTER ELEMENT	41	SAC7031110000	SPACER
12	SAC5050510008	CON-ROD	27	SAC7456260000	FILTER PLATE	42	SAC7091270000	DIPSTICK
13	SAC7022030000	NUT	28	SAC7062050000	BUSHING	100	SAC4082930000	VALVE PLATE KIT
14	SAC7011100000	BOLT (M8x25)	29	SAC5041010008	CRANKSHAFT	101	SAC4291140000	PISTON GROUP
15	SAC7575250000	CYLINDER	30	SAC7071150000	OIL SEAL	102	SAC4082000000	GASKET KIT

NOTE: It is our policy to continually improve products and as such we reserve the right to alter data, specifications and component parts without prior notice.

IMPORTANT: No liability is accepted for incorrect use of product.

WARRANTY: Guarantee is 12 months from purchase date, proof of which will be required for any claim.

INFORMATION: For a copy of our latest catalogue and promotions call us on 01284 757525 and leave your full name and address, including postcode.