



MEDIUM-ARM QUICK RELEASE THREADED NUT RIVETER

MODEL NO: **AK3988**

Thank you for purchasing a Sealey product. Manufactured to a high standard, this product will, if used according to these instructions, and properly maintained, give you years of trouble free performance.

IMPORTANT: PLEASE READ THESE INSTRUCTIONS CAREFULLY. NOTE THE SAFE OPERATIONAL REQUIREMENTS, WARNINGS & CAUTIONS. USE THE PRODUCT CORRECTLY AND WITH CARE FOR THE PURPOSE FOR WHICH IT IS INTENDED. FAILURE TO DO SO MAY CAUSE DAMAGE AND/OR PERSONAL INJURY AND WILL INVALIDATE THE WARRANTY. KEEP THESE INSTRUCTIONS SAFE FOR FUTURE USE.



Refer to instructions



Wear eye protection

1. SAFETY

- WARNING!** Ensure Health & Safety, local authority and general workshop practice regulations are adhered to when using this equipment.
- ✓ Familiarise yourself with the application and limitations of the riveter, as well as the potential hazards.
- ✓ Maintain the riveter in good condition (use an authorised service agent).
- ✓ Replace or repair damaged parts. Use genuine parts only. Unauthorised parts may be dangerous and will invalidate the warranty.
- ✓ Keep the work area clean, uncluttered and ensure there is adequate lighting.
- ✓ Keep the riveter clean for best and safest performance.
- WARNING!** Always wear approved eye or face protection when operating the riveter.
- ✓ Keep children and unauthorised persons away from the working area.
- ✓ Check moving parts alignment on a regular basis.
- ✗ **DO NOT** hold the workpiece by hand. Secure unstable workpiece with a clamp, vice or other adequate holding device.
- ✓ Ensure the workpiece is correctly secured before operating the riveter.
- ✗ **DO NOT** use the riveter for any purpose other than that for which it is designed.
- ✗ **DO NOT** operate the riveter if any parts are damaged or missing, as this may cause failure and/or personal injury.
- ✓ When not in use return to the case and store in a safe, dry, childproof area.

2. INTRODUCTION

Suitable for rivet nuts in aluminium, steel and stainless steel.

Medium arms provide effortless functionality and pull through quick release mechanism.

3. SPECIFICATION

Model no. AK3988

Mandrels:

..... M3 x 0.5, M4 x 0.7,

..... M5 x 0.8, M6 x 1,

..... M8 x 1.25, M10 x 1.5,

..... M12 x 1.75mm

Length 345mm

Rivet types... aluminium, steel, stainless steel (not structural)

4. OPERATION

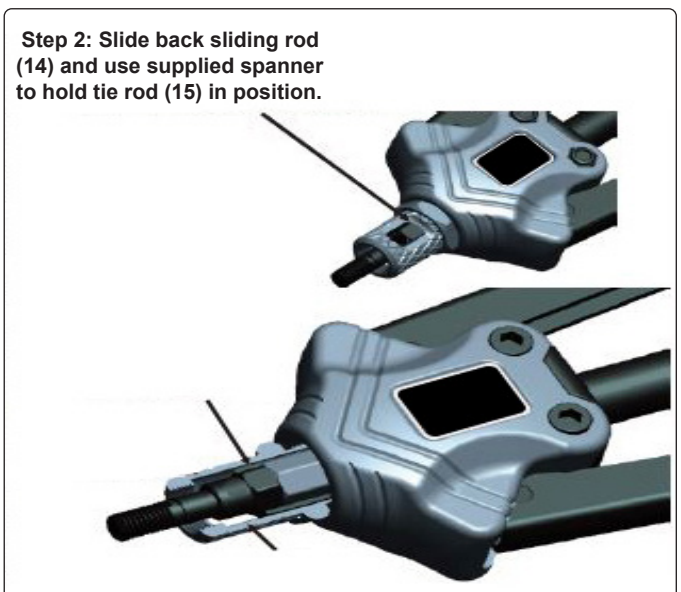
Numbers refer to Parts Diagram. Tool shown for reference only.

4.1. CHANGE MANDREL

Step 1: Remove guide cap (18) and jaw sleeve (16)



Step 2: Slide back sliding rod (14) and use supplied spanner (15) to hold tie rod (15) in position.



Step 3: Undo mandrel (17) anticlockwise

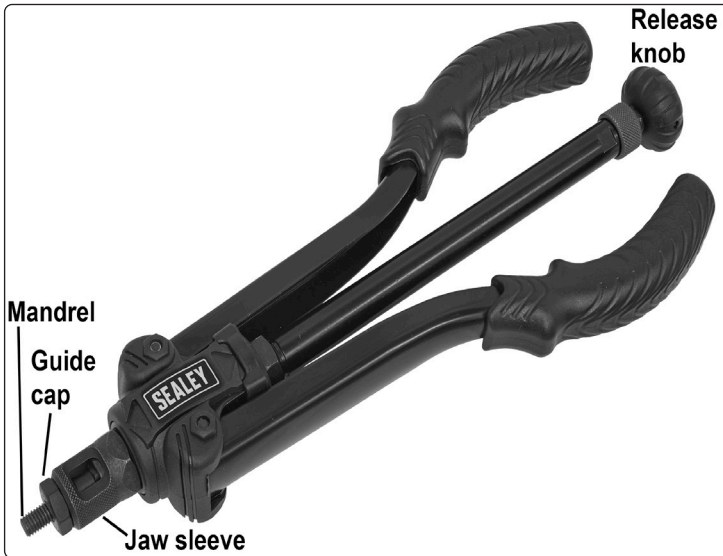


Step 4: Screw in new mandrel (17) clockwise. Replace guide cap (18) and guide sleeve (16).



4.2. INSERTING RIVET NUTS refer to picture below

- 4.2.1. Screw rivet nut onto the end of the mandrel (17) until it is level with the end of the guide cap (18).
- 4.2.2. Insert the riveter into the hole and close the handles together to rivet the nut. The rivet needs to shorten by about 6mm.
- 4.2.3. Pull the release knob (19) to release the mandrel (17) from the rivet.



5. MAINTENANCE

- 5.1. Keep all pivots lightly oiled.
- 5.2. The riveter should be cleaned and oiled at regular intervals, depending on the frequency of use.



ENVIRONMENT PROTECTION

Recycle unwanted materials instead of disposing of them as waste. All tools, accessories and packaging should be sorted, taken to a recycling centre and disposed of in a manner which is compatible with the environment. When the product becomes completely unserviceable and requires disposal, drain any fluids (if applicable) into approved containers and dispose of the product and fluids according to local regulations.

Note: It is our policy to continually improve products and as such we reserve the right to alter data, specifications and component parts without prior notice.

Important: No Liability is accepted for incorrect use of this product.

Warranty: Guarantee is 12 months from purchase date, proof of which is required for any claim.

Sealey Group, Kempson Way, Suffolk Business Park, Bury St Edmunds, Suffolk. IP32 7AR



01284 757500



01284 703534



sales@sealey.co.uk



www.sealey.co.uk