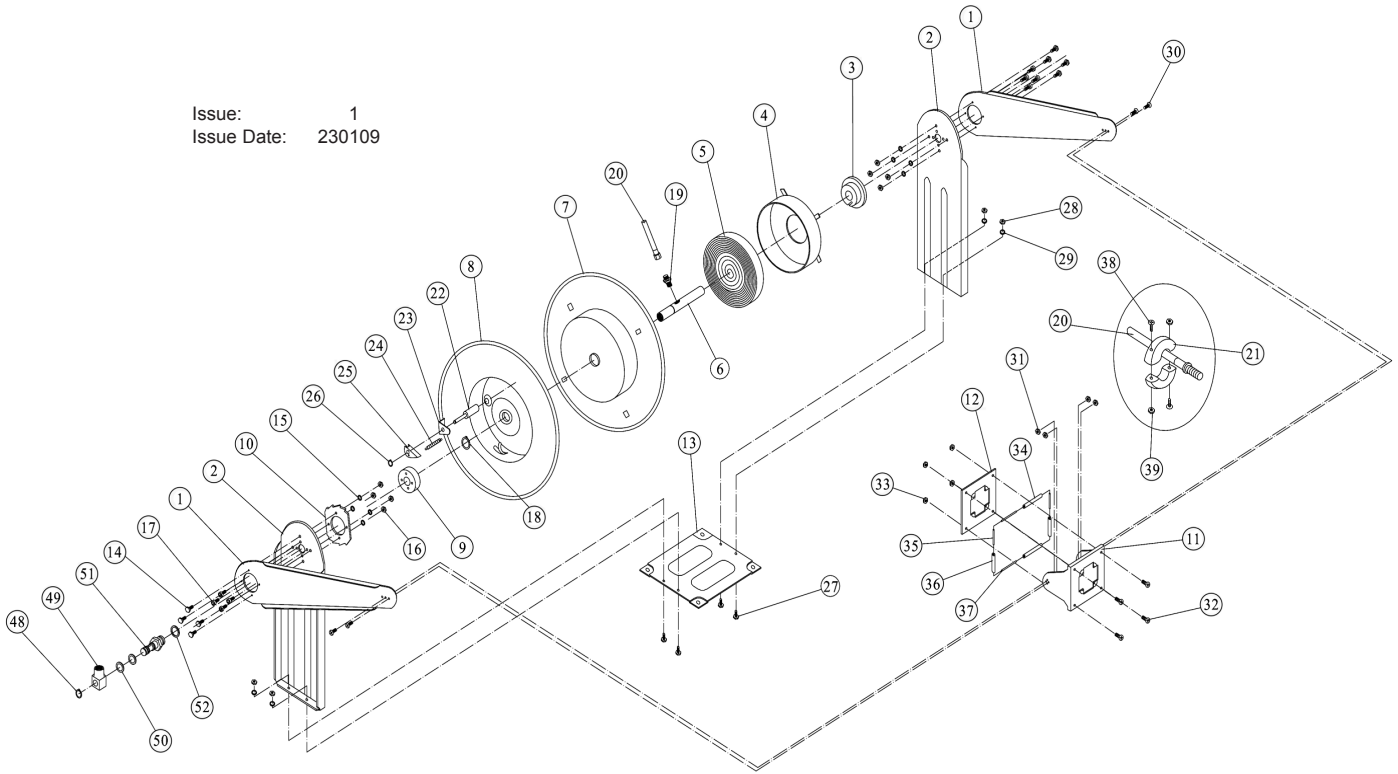


Issue: 1  
 Issue Date: 230109



ITEM	PART NO	DESCRIPTION	ITEM	PART NO	DESCRIPTION
1	AK4567D.01	SUPPORT BRACKET ARM	23	AK4567D.23	SUPPORT BLOCK
2	AK4567D.02	SUPPORT BRACKET	24	AK4567D.24	SPRING, DOG
3	AK4567D.03	HUB BEARING ASSEMBLY	25	AK4567D.25	CAM, LOCKING
4	AK4567D.04	DRUM FOR SPRING	26	AK4567D.26	RETAINING RING
5	AK4567D.05	SPRING	27	AK4567D.27	BOLT
6	AK4567D.06	AXLE	28	AK4567D.28	NUT
7	AK4567D.07	DRUM (RIGHT SIDE)	29	AK4567D.29	WASHER
8	AK4567D.08	DRUM (LEFT SIDE)	30	AK4567D.30	BOLT
9	AK4567D.09	HUB BEARING ASSEMBLY	31	AK4567D.31	NUT
10	AK4567D.10	LOCK RING	32	AK4567D.32	BOLT
11	AK4567D.11	GUIDE SUB-PLATE	33	AK4567D.33	NUT
12	AK4567D.12	GUIDE SUB-PLATE	34	AK4567D.34	ROLLER
13	AK4567D.13	BASE	35	AK4567D.35	AXLE FOR ROLLER
14	AK4567D.14	BOLT (M6*16)	36	AK4567D.36	ROLLER
15	AK4567D.15	WASHER	37	AK4567D.37	AXLE FOR ROLLER
16	AK4567D.16	NUT	38	AK4567D.38	BOLT
17	AK4567D.17	BOLT	39	AK4567D.39	NUT
18	AK4567D.18	RETAINING RING	48	AK4567D.48	RETAINER
19	AK4567D.19	FITTING	49	AK4567D.49	SWIVEL BODY
20	AK4567D.20	HOSE (10mtr)	50	AK4567D.50	O-RING
21	AK4567D.21	RUBBER BUMPER BLOCK	51	AK4567D.51	SWIVEL SPOOL
22	AK4567D.22	AXLE	52	AK4567D.52	WASHER

**NOTE:** It is our policy to continually improve products and as such we reserve the right to alter data, specifications and component parts without prior notice.

**IMPORTANT:** No liability is accepted for incorrect use of product.

**WARRANTY:** Guarantee is 12 months from purchase date, proof of which will be required for any claim.

**INFORMATION:** For a copy of our latest catalogue and promotions call us on 01284 757525 and leave your full name and address, including postcode.