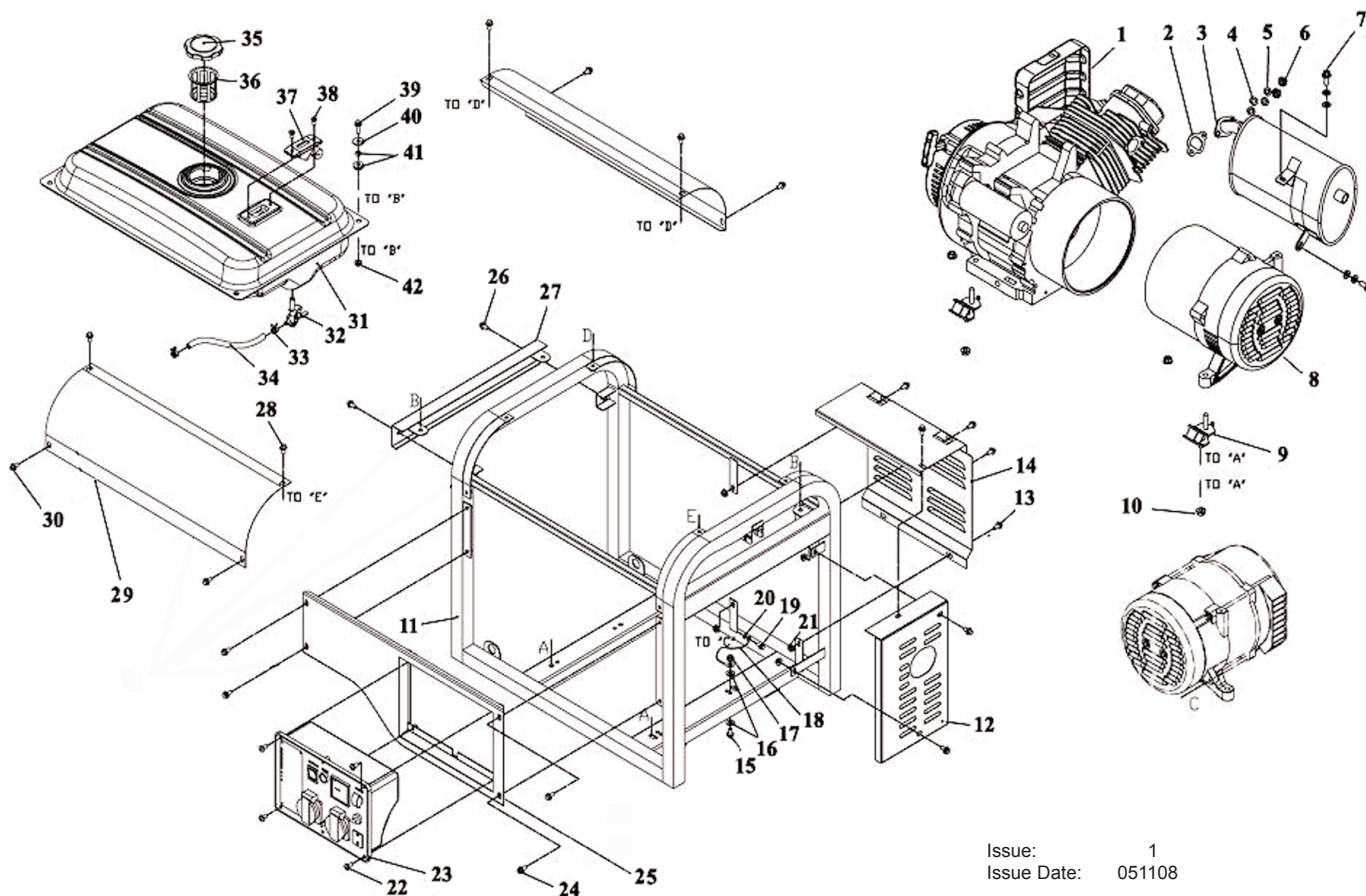


MAIN ASSEMBLY



ITEM	PART NO	DESCRIPTION	ITEM	PART NO	DESCRIPTION
1	GG7500.01	ENGINE	22	GG7500.22	SCREW (M6*12)
2	GG7500.02	MUFFLER WASHER	23	GG7500.23	CONTROL PANEL ASS'Y
3	GG7500.03	MUFFLER	24	GG7500.24	FLANGE BOLT (M6*12)
4	GG7500.04	WASHER	25	GG7500.25	PANEL FOR CONTROL BOARD
5	GG7500.05	SPRING WASHER	26	GG7500.26	FLANGE BOLT (M6*12)
6	GG7500.06	NUT M8	27	GG7500.27	UPPER SIDE BAR
7	GG7500.07	FLANGE BOLT (M8*20)	28	GG7500.28	FLANGE BOLT (M6*12)
8	GG7500.08	ALTERNATOR ASS'Y	29	GG7500.29	UPPER PANEL
9	GG7500.09	SHOCK ABSORBER	30	GG7500.30	FLANGE BOLT (M6*12)
10	GG7500.10	NUT M8	31	GG7500.31	FUEL TANK 25ltr
11	GG7500.11	FRAME	32	GG7500.32	FUEL SWITCH
12	GG7500.12	MUFFLER COVER	33	GG7500.33	CLAMP
13	GG7500.13	FLANGE BOLT (M6*12)	34	GG7500.34	FUEL PIPE
14	GG7500.14	MUFFLER COVER, SIDE	35	GG7500.35	FUEL TANK CAP ASS'Y
15	GG7500.15	FLANGE BOLT (M6*12)	36	GG7500.36	FILTER CUP
16	GG7500.16	GASKET	37	GG7500.37	CONTROL PANEL
17	GG7500.17	NUT M6	38	GG7500.38	SCREW (M5*12)
18	GG7500.18	WIRE	39	GG7500.39	FLANGE BOLT (M6*25)
19	GG7500.19	FLANGE BOLT (M8*12)	40	GG7500.40	WASHER
20	GG7500.20	GASKET	41	GG7500.41	SHOCK ABSORBER
21	GG7500.21	NUT M6	42	GG7500.42	FLANGE NUT M6

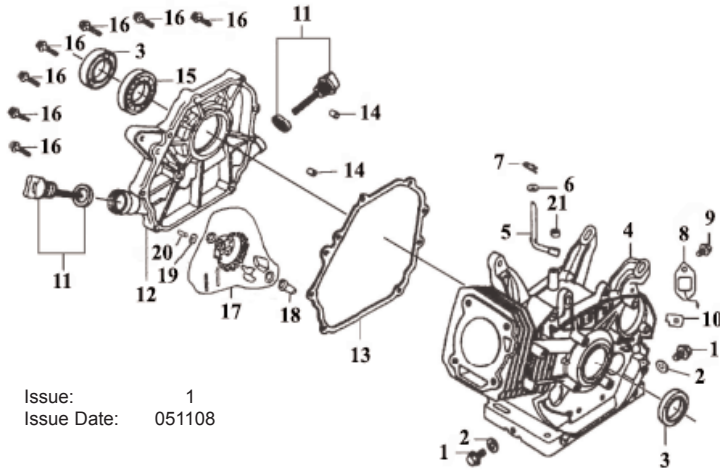
NOTE: It is our policy to continually improve products and as such we reserve the right to alter data, specifications and component parts without prior notice.

IMPORTANT: No liability is accepted for incorrect use of product.

WARRANTY: Guarantee is 12 months from purchase date, proof of which will be required for any claim.

INFORMATION: For a copy of our latest catalogue and promotions call us on 01284 757525 and leave your full name and address, including postcode.

CRANKCASE PARTS



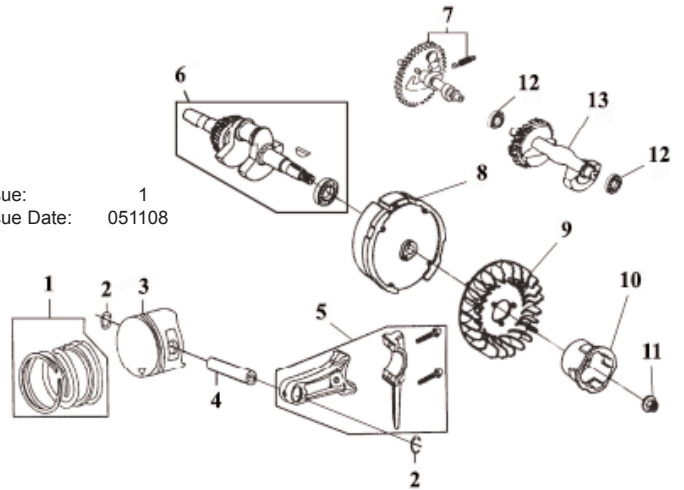
Issue: 1
 Issue Date: 051108

ITEM	PART NO	DESCRIPTION
1	GG7500.CC1	DRAIN PLUG
2	GG7500.CC2	WASHER
3	GG7500.CC3	OIL SEAL, CRANKSHAFT
4	GG7500.CC4	CRANKCASE
5	GG7500.CC5	REGULATING BAR
6	GG7500.CC6	WASHER
7	GG7500.CC7	SPLIT PIN
8	GG7500.CC8	DIODE
9	GG7500.CC9	BOLT (M6*8)
10	GG7500.CC10	SEAL
11	GG7500.CC11	OIL PLUG
12	GG7500.CC12	CRANKCASE COVER
13	GG7500.CC13	CRANKCASE GASKET
14	GG7500.CC14	SET PIN (8*14)
15	GG7500.CC15	BEARING 6207
16	GG7500.CC16	BOLT (M8*35)
17	GG7500.CC17	DRIVEN GEAR ASS'Y
18	GG7500.CC18	SLIDING SLEEVE
19	GG7500.CC19	SNAP RING
20	GG7500.CC20	REGULATING SHAFT
21	GG7500.CC21	DIRECTIONAL FIXING

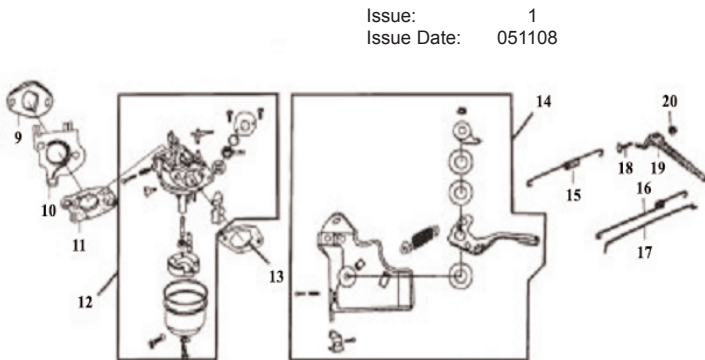
CRANKSHAFT / PISTON / CAMSHAFT / FLYWHEEL ASS'Y PARTS

ITEM	PART NO	DESCRIPTION
1	GG7500.CS1	PISTON RING SET
2	GG7500.CS2	PISTON PIN CIRCLIP
3	GG7500.CS3	PISTON
4	GG7500.CS4	PISTON PIN
5	GG7500.CS5	CONNECT ROD ASS'Y
6	GG7500.CS6	CRANKSHAFT ASS'Y
7	GG7500.CS7	CAMSHAFT ASS'Y
8	GG7500.CS8	FLYWHEEL
9	GG7500.CS9	FLYWHEEL FAN
10	GG7500.CS10	STARTING FLANGE
11	GG7500.CS11	NUT
12	B/6202	BEARING, 6202
13	GG7500.CS13	BALANCING SHAFT

Issue: 1
 Issue Date: 051108



FUEL SUPPLY PARTS



Issue: 1
 Issue Date: 051108

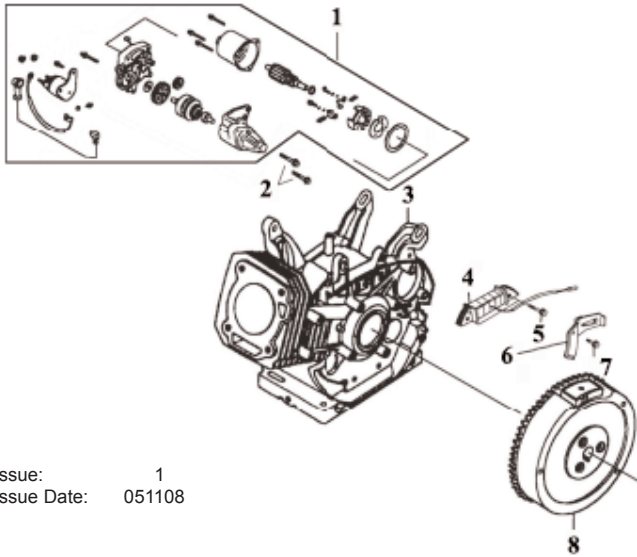
ITEM	PART NO	DESCRIPTION
9	GG7500.FS9	INLET GASKET
10	GG7500.FS10	CONNECTING BLOCK
11	GG7500.FS11	CARBURETOR GASKET
12	GG7500.FS12	CARBURETOR ASS'Y
13	GG7500.FS13	GASKET, AIR CLEANER
14	GG7500.FS14	REGULATING CONTROL ASS'Y
15	GG7500.FS15	SPRING
16	GG7500.FS16	REGULATING SPRING
17	GG7500.FS17	PULLING ROD
18	GG7500.FS18	LOCK BOLT
19	GG7500.FS19	REGULATING ARM
20	GG7500.FS20	NUT M6

NOTE: It is our policy to continually improve products and as such we reserve the right to alter data, specifications and component parts without prior notice.

IMPORTANT: No liability is accepted for incorrect use of product.

WARRANTY: Guarantee is 12 months from purchase date, proof of which will be required for any claim.

INFORMATION: For a copy of our latest catalogue and promotions call us on 01284 757525 and leave your full name and address, including postcode.



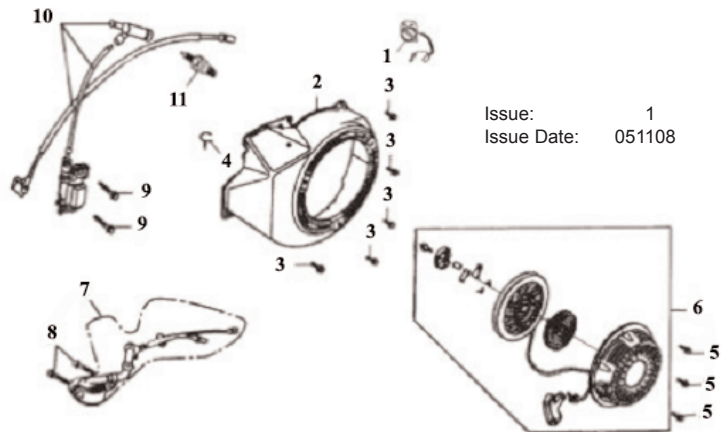
Issue: 1
 Issue Date: 051108

ELECTRIC STARTER PARTS

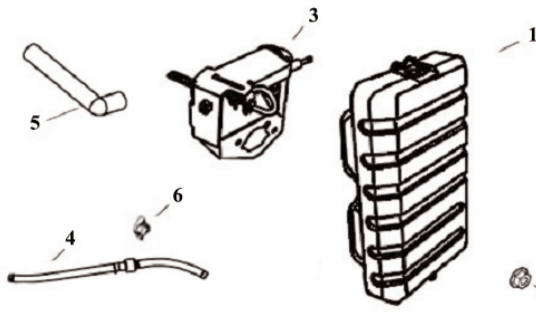
ITEM	PART NO	DESCRIPTION
1	GG7500.ES1	STARTING MOTOR ASS'Y
2	GG7500.ES2	BOLT (M8*35)
3	GG7500.ES3	CRANKCASE
4	GG7500.ES4	SENSOR
5	GG7500.ES5	BOLT (M6*35)
6	GG7500.ES6	CORD CLAMP
7	GG7500.ES7	BOLT (M6*12)
8	GG7500.ES8	FLYWHEEL

RECOIL STARTER & IGNITION COIL ASS'Y PARTS

ITEM	PART NO	DESCRIPTION
1	GG7500.RS1	ENGINE SWITCH
2	GG7500.RS2	FAN COVER ASS'Y
3	GG7500.RS3	BOLT (M6*12)
4	GG7500.RS4	CLIP
5	GG7500.RS5	BOLT (M6*8)
6	GG7500.RS6	RECOIL STARTER ASS'Y
7	GG7500.RS7	OIL SENSOR
8	GG7500.RS8	BOLT (M6*14)
9	GG7500.RS9	BOLT (M6*25)
10	GG7500.RS10	IGNITION COIL ASS'Y
11	GG7500.RS11	SPARK PLUG



Issue: 1
 Issue Date: 051108



Issue: 1
 Issue Date: 051108

AIR CLEANER PARTS

ITEM	PART NO	DESCRIPTION
1	GG7500.AC1	AIR CLEANER ASS'Y
2	GG7500.AC2	NUT M6
3	GG7500.AC3	BOLT (M6x22)
4	GG7500.AC4	VALVE
5	GG7500.AC5	AIR PIPE
6	GG7500.AC6	CLIP

NOTE: It is our policy to continually improve products and as such we reserve the right to alter data, specifications and component parts without prior notice.

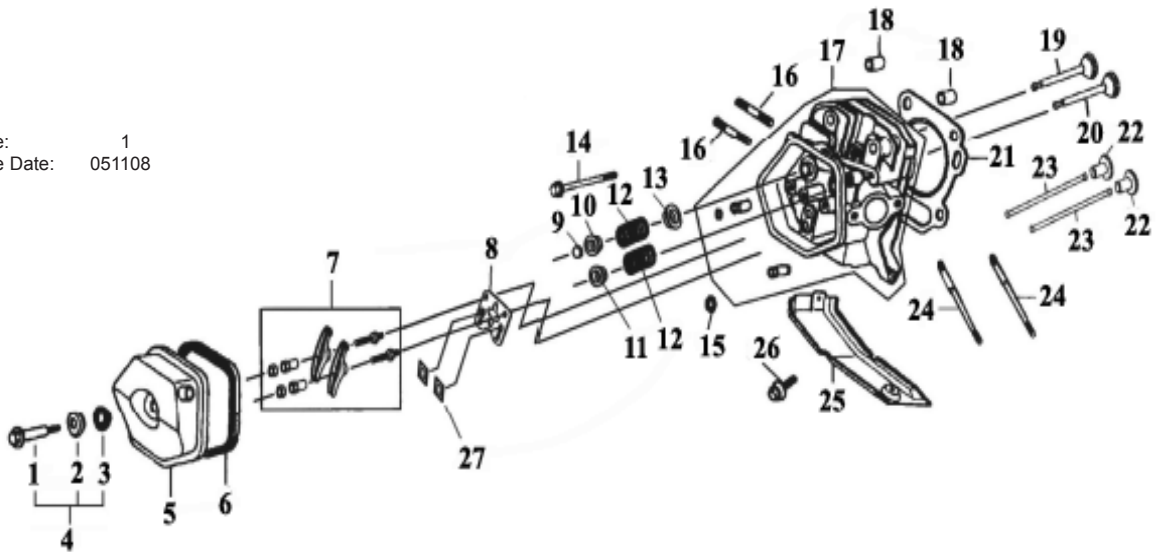
IMPORTANT: No liability is accepted for incorrect use of product.

WARRANTY: Guarantee is 12 months from purchase date, proof of which will be required for any claim.

INFORMATION: For a copy of our latest catalogue and promotions call us on 01284 757525 and leave your full name and address, including postcode.

CYLINDER HEAD PARTS

Issue: 1
 Issue Date: 051108



ITEM	PART NO	DESCRIPTION	ITEM	PART NO	DESCRIPTION
1	GG7500.CH1	BOLT	15	GG7500.CH15	SEAL
2	GG7500.CH2	WASHER	16	GG7500.CH16	STUD (M8*55)
3	GG7500.CH3	RUBBER SEAL	17	GG7500.CH17	CYLINDER HEAD ASS'Y
4	GG7500.CH4	BOLT	18	GG7500.CH18	PIN (12*20)
5	GG7500.CH5	CYLINDER HEAD COVER	19	GG7500.CH19	EXHAUST VALVE
6	GG7500.CH6	GASKET	20	GG7500.CH20	INTAKE VALVE
7	GG7500.CH7	VALVE ROCKET ASS'Y	21	GG7500.CH21	CYLINDER HEAD GASKET
8	GG7500.CH8	PUSH GUIDE	22	GG7500.CH22	TAPPET
9	GG7500.CH9	CAP	23	GG7500.CH23	PUSHER
10	GG7500.CH10	EXHAUST SPRING SEAT	24	GG7500.CH24	STUD
11	GG7500.CH11	INTAKE SPRING SEAT	25	GG7500.CH25	COVER
12	GG7500.CH12	VALVE SPRING	26	GG7500.CH26	BOLT (M6*12)
13	GG7500.CH13	SPRING RETAINER	27	GG7500.CH27	NYLON SEAL
14	GG7500.CH14	BOLT (M10*80)			

NOTE: It is our policy to continually improve products and as such we reserve the right to alter data, specifications and component parts without prior notice.

IMPORTANT: No liability is accepted for incorrect use of product.

WARRANTY: Guarantee is 12 months from purchase date, proof of which will be required for any claim.

INFORMATION: For a copy of our latest catalogue and promotions call us on 01284 757525 and leave your full name and address, including postcode.