

Issue: 2  
 Issue Date: 07/07/2009

ITEM	PART NO	DESCRIPTION	ITEM	PART NO	DESCRIPTION
1	SM355CE.001	BASE (RIGHT SIDE)	17	SM355CE.017	SPRING WASHER
2	SM355CE.002	NUT	18	SM355CE.018	HEX BOLT (M10x20)
3	SM355CE.003	HEX BOLT (M12x40)	23	SM354CE.033	FILTER
4	SM355CE.004	NUT M8	23-1	SM355CE.023-1	BLOCK PLATE
5	SM355CE.005	WASHER	24	SM355CE.024	SCREW (M5x10)
6	SM355CE.006	HEX BOLT (M8x16)	24-1	SM355CE.024-1	WASHER
7	SM355CE.007	BASE PLATE	25	SM355CE.025	HEX SOCKET CAP SCREW (M6x15)
8	SM355CE.008	BASE (LEFT SIDE)	26	SM355CE.026	WASHER
9	SM355CE.009	HEX SOCKET CAP SCREW (M8x20)	27	SM354CE.038	HOSE CLAMP
10	SM355CE.010	SPRING WASHER	27-1	SM355CE.027-1	HOSE (5/16"x130cm)
10-1	SM355CE.010-1	NUT M8	28	SM354CE.039	PUMP
10-2	SM355CE.010-2	WASHER	29	SM355CE.029	HEX BOLT (M10x20)
11	SM355CE.011	HEX SOCKET CAP SCREW (M8x20)	30	SM355CE.030	COOLANT TRAY
12	SM355CE.012	SPRING WASHER	31	SM355CE.031	HEX BOLT (M12x40)
13	SM355CE.013	WASHER	32	SM355CE.032	NUT (M12)
14	SM355CE.014	SUPPORT PLATE	33	SM355CE.033	HEX SOCKET CAP SCREW (M5x8)
15	SM355CE.015	ROLLER STAND BRACKET	34	SM355CE.034	BASE FRONT PLATE
16	SM355CE.016	WASHER			

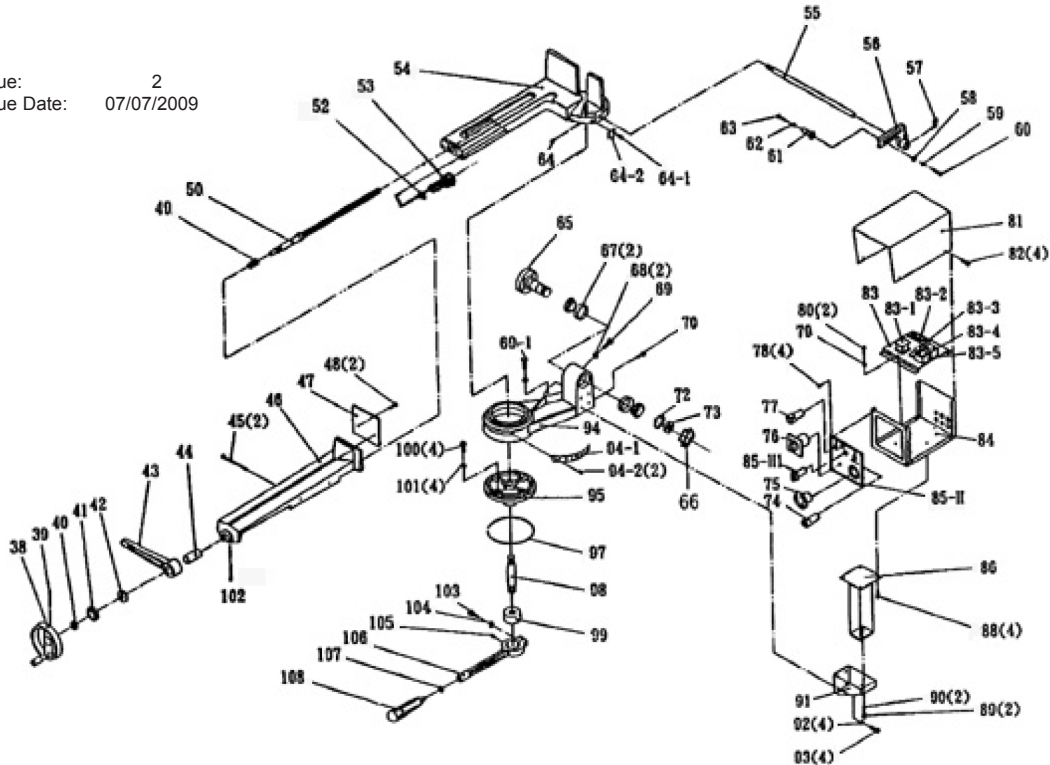
**NOTE:** It is our policy to continually improve products and as such we reserve the right to alter data, specifications and component parts without prior notice.

**IMPORTANT:** No liability is accepted for incorrect use of product.

**WARRANTY:** Guarantee is 12 months from purchase date, proof of which will be required for any claim.

**INFORMATION:** For a copy of our latest catalogue and promotions call us on 01284 757525 and leave your full name and address, including postcode.

Issue: 2  
 Issue Date: 07/07/2009



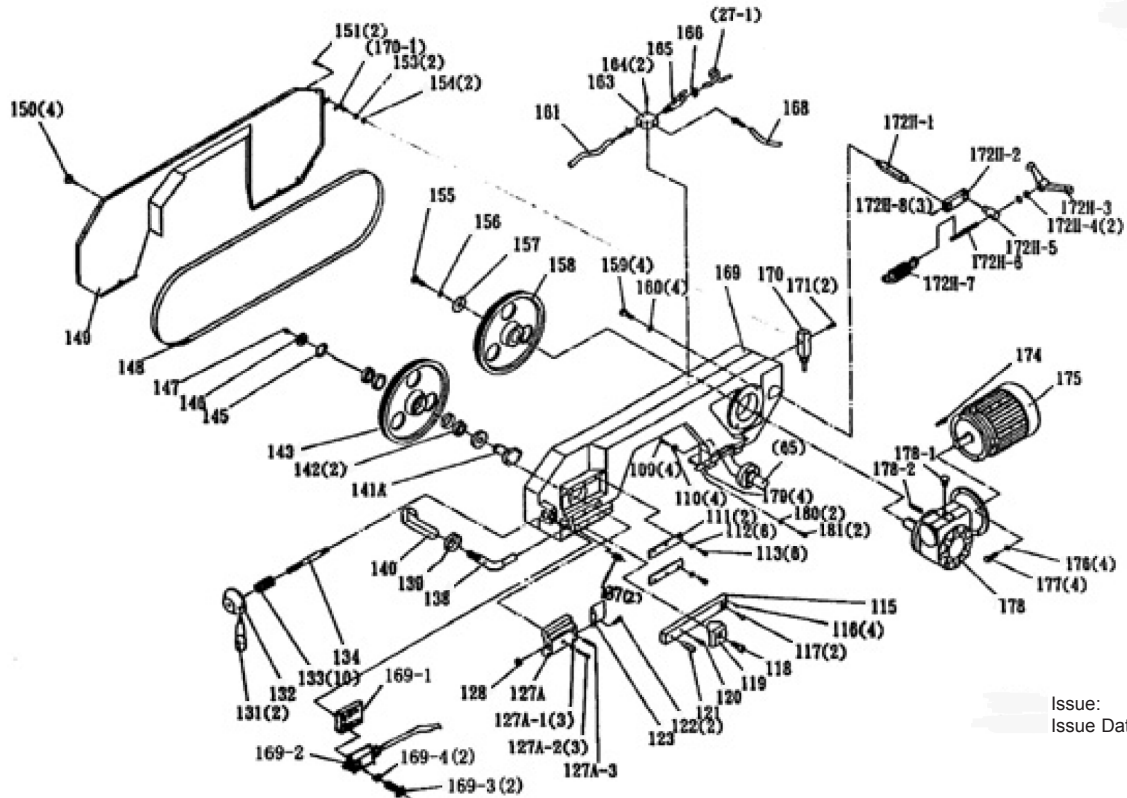
ITEM	PART NO	DESCRIPTION	ITEM	PART NO	DESCRIPTION
38	SM354CE.054	HAND WHEEL	76	SM354CE.092-1	MAIN SWITCH
39	SM355CE.039	SET SCREW (M8x10)	77	SM354CE.092-2	POWER INDICATOR LIGHT
40	SM355CE.040	NUT	78	SM354CE.091	SCREW (M5x10)
41	SM355CE.041	BEARING BUSHING	79	SM355CE.079	WASHER
42	SM354CE.058	BEARING	80	SM354CE.088	SCREW (M5x10)
43	SM354CE.059	LOCK HANDLE	81	SM354CE.085	COVER
44	SM355CE.044	BUSHING	82	SM354CE.086	HEX SOCKET CAP SCREW (M5x8)
45	SM355CE.045	HEX SOCKET CAP SCREW (M6x100)	83	SM354CE.089	BOTTOM PLATE FOR CONTROL BOX
46	SM355CE.046	TABLE	83-1	SM354CE.090-1	TRANSFORMER
47	SM355CE.047	PLATE	83-2	SM354CE.090-2	MAGNETIC CONNECTOR
48	SM355CE.048	MACHINE SCREW (M6x20)	83-3	SM354CE.090-3	FUSE SEAT
49	SM355CE.049	COMPRESSION SPRING	83-4	SM354CE.090-4	OVERLOAD RELAY
50	SM355CE.050	LEAD SCREW	83-5	SM354CE.090-5	CONTACT
51	SM355CE.051	HEX SOCKET CAP SCREW (M8x20)	84	SM354CE.094	CONTROL BOX BOTTOM
52	SM355CE.052	WASHER	85-H	SM354CE.093-H	CONTROL BOX PANEL
53	SM355CE.053	SET SCREW (M8x10)	85-H1	SM354CE.093H1	MANUAL/AUTO SELECTOR
54	SM355CE.054	VICE	85-H2	SM354CE.093H2	START BUTTON
55	SM355CE.055	STOP-BAR ROD	86	SM354CE.095	SUPPORT
56	SM355CE.056	BRACKET	88	SM354CE.101	HEX SOCKET CAP SCREW (M5x8)
57	SM354CE.084	SCREW (5/16 x 3/4)	89	SM355CE.089	HEX SOCKET CAP SCREW (M8x20)
58	SM355CE.058	WASHER 5/16"	90	SM355CE.090	SPRING WASHER
59	SM355CE.059	SPRING WASHER 5/16"	91	SM354CE.096	BRACKET
60	SM355CE.060	HEX BOLT	92	SM355CE.092	SPRING WASHER
61	SM355CE.061	ROD	93	SM355CE.093	HEX SOCKET CAP SCREW (M8x20)
62	SM355CE.062	NUT 5/16"	94	SM355CE.094	SWIVEL ARM
63	SM355CE.063	HEX BOLT	94-1	SM354CE.080	SCALE
64	SM355CE.064	SET SCREW (M8x10)	94-2	SM355CE.094-2	RIVET
64-1	SM355CE.064-1	HEX SOCKET CAP SCREW (M5x8)	95	SM354CE.050	HANDWHEEL
64-2	SM354CE.069	SCALE POINT	97	SM354CE.048	OIL SEAL
65	SM355CE.065	PIVOT	98	SM354CE.047	SHAFT
66	SM354CE.072	COVER	99	SM354CE.046	NUT
67	SM354CE.073	BEARING	100	SM355CE.100	HEX SOCKET CAP SCREW (M8x25)
68	SM355CE.068	NUT (M10)	101	SM355CE.101	SPRING WASHER
69	SM355CE.069	HEX BOLT (M10x30)	102	SM355CE.102	SET SCREW (M8x10)
69-1	SM355CE.069-1	HEX BOLT (M10x25)	103	SM355CE.103	HEX SOCKET CAP SCREW (M10x35)
70	SM355CE.070	SPRING HOOK	104	SM355CE.104	SPRING WASHER
72	SM354CE.077	WASHER	105	SM355CE.105	SET SCREW (M10x10)
73	SM354CE.078	NUT (M30)	106	SM355CE.106	LOCKING LEVER
74	SM354CE.093H2	START BUTTON	107	SM355CE.107	NUT (M12)
75	SM354CE.092-3	EMERGENCY SWITCH	108	SM355CE.108	HANDLE

**NOTE:** It is our policy to continually improve products and as such we reserve the right to alter data, specifications and component parts without prior notice.

**IMPORTANT:** No liability is accepted for incorrect use of product.

**WARRANTY:** Guarantee is 12 months from purchase date, proof of which will be required for any claim.

**INFORMATION:** For a copy of our latest catalogue and promotions call us on 01284 757525 and leave your full name and address, including postcode.



Issue: 2  
Issue Date: 07/07/2009

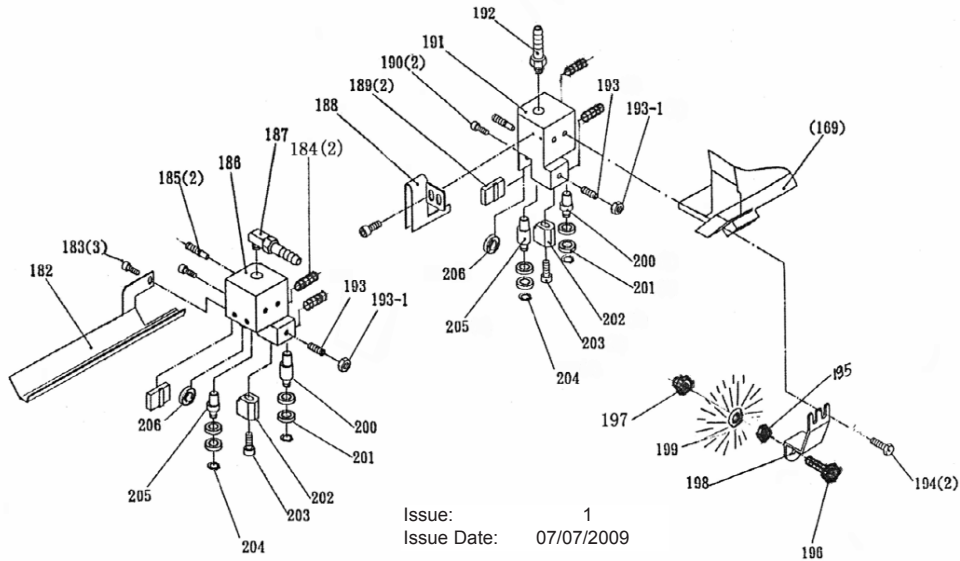
ITEM	PART NO	DESCRIPTION	ITEM	PART NO	DESCRIPTION
109	SM355CE.109	HEX SOCKET CAP SCREW (M10x30)	154	SM355CE.154	NUT (M4)
110	SM355CE.110	SPRING WASHER	155	SM355CE.155	BOLT (M10x25)
111	SM355CE.111	GIB	156	SM355CE.156	SPRING WASHER
112	SM355CE.112	SPRING WASHER	157	SM355CE.157	WASHER
113	SM355CE.113	HEX SOCKET CAP SCREW (M8x20)	158	SM355CE.158	DRIVE FLYWHEEL
115	SM355CE.115	FRONT BEARING BRACKET	159	SM355CE.159	HEX SOCKET CAP SCREW (M10x40)
116	SM355CE.116	SET SCREW (M6x12)	160	SM355CE.160	SPRING WASHER
117	SM355CE.117	HEX SOCKET CAP SCREW (M8x25)	161	SM355CE.161	HOSE (5/16"x100cm)
118	SM355CE.118	HEX SOCKET CAP SCREW (M12x50)	163A	SM354CE.148A	PIPE FITTING SEAT
119	SM355CE.119	SETTING BRACKET	164	SM355CE.164	HEX SOCKET CAP SCREW (M5x30)
120	SM355CE.120	HEX SOCKET CAP SCREW (M6x8)	165	SM354CE.150	COOLANT SWITCH
121	SM355CE.121	HANDLE	166	SM355CE.166	HOSE CLAMP
122	SM355CE.122	HEX SOCKET CAP SCREW (M6x8)	168	SM355CE.168	HOSE (5/16"x40cm)
123	SM355CE.123	COVER PLATE	169	SM355CE.169	ARM
127A	SM355CE.127A	SLIDE	169-1	SM355CE.169-1	PLATE
127-1	SM355CE.127A1	SPRING WASHER	169-2	SM355CE.169-2	SWITCH
127-2	SM355CE.127A2	HEX SOCKET CAP SCREW (M10x45)	169-3	SM355CE.169-3	SCREW (M4x30)
127-3	SM355CE.127A3	SET SCREW (M10x16)	169-4	SM355CE.169-4	WASHER
128	SM355CE.128	NUT	170	SM355CE.170	LIMIT SWITCH
131	SM354CE.124	HANDLE	170-1	SM355CE.170-1	SWITCH PIN
132	SM354CE.125	HANDWHEEL	171	SM355CE.171	HEX SOCKET CAP SCREW (M4x35)
133	SM354CE.126	SPRING WASHER	171H-1	SM355CE.172H1	SPRING SHAFT
134	SM355CE.134	TENSION SHAFT	171H-2	SM354CE.155H2	SETTING PLATE
137	SM355CE.137	SET SCREW (M8x25)	171H-3	SM354CE.155H3	HANDLE
138	SM354CE.114	ROD	171H-4	SM354CE.155H4	NUT (M16)
139	SM355CE.139	NUT	171H-5	SM354CE.155H5	BUSHING
140	SM354CE.116	TRIGGER SWITCH	171H-6	SM354CE.155H6	ADJUSTABLE SHAFT
141A	SM355CE.141A	SHAFT	171H-7	SM355CE.172H7	SPRING
142	SM355CE.142	BEARING (32006zz)	171H-8	SM355CE.172H8	SET SCREW (M8x10)
143	SM355CE.143	IDLE FLYWHEEL	174	SM355CE.174	KEY (8x8x35)
145	SM355CE.145	WASHER	175	SM355CE.175	MOTOR
146	SM355CE.146	NUT (M30)	176	SM355CE.176	SPRING WASHER
147	SM355CE.147	OIL INLET	177	SM355CE.177	BOLT (M8x30)
148	SM355B18	BLADE 2460 x 27 x 0.9mm 18TPI	178	SM355CE.178	GEARBOX
	SM355B24	BLADE 2460 x 27 x 0.9mm 24TPI	178-1	SM355CE.178-1	VENT SCREW
	SM355B14	BLADE (2460 x 27 x 0.9mm) 14TPI	178-2	SM355CE.178-2	KEY (8x8x35)
149	SM355CE.149	BLADE COVER	179	SM355CE.179	SET SCREW (M6x12)
150	SM355CE.150	Knob Bolt	180	SM355CE.180	SPRING WASHER
151	SM355CE.151	SCREW (M4x8)	181	SM355CE.181	HEX SOCKET CAP SCREW (M8x25)
153	SM355CE.153	SPRING WASHER			

**NOTE:** It is our policy to continually improve products and as such we reserve the right to alter data, specifications and component parts without prior notice.

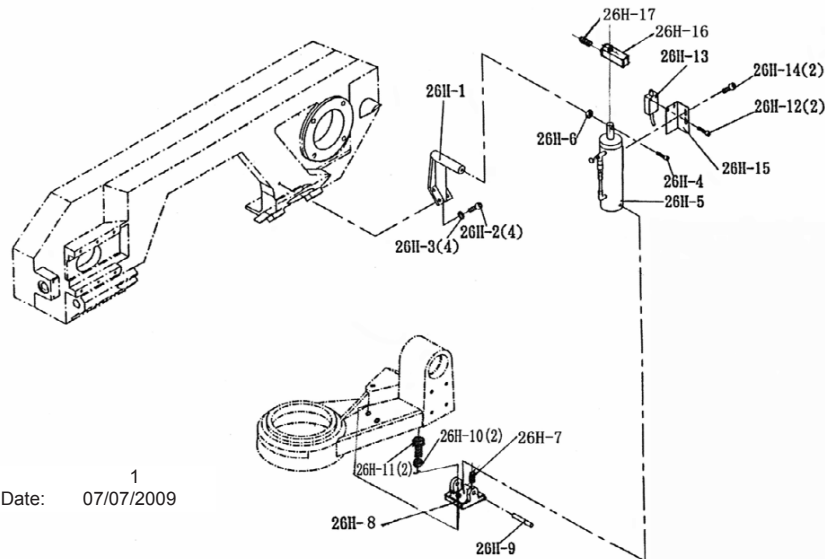
**IMPORTANT:** No liability is accepted for incorrect use of product.

**WARRANTY:** Guarantee is 12 months from purchase date, proof of which will be required for any claim.

**INFORMATION:** For a copy of our latest catalogue and promotions call us on 01284 757525 and leave your full name and address, including postcode.



ITEM	PART NO	DESCRIPTION	ITEM	PART NO	DESCRIPTION
182	SM355CE.182	FRONT BLADE GUARD	194	SM355CE.194	BOLT (M6x12)
183	SM355CE.183	SCREW (M6x8)	195	SM355CE.195	NUT (M6)
184	SM355CE.184	SET SCREW (M6x6)	196	SM355CE.196	SCREW (M6x25)
185	SM355CE.185	BOLT	197	SM355CE.197	NUT (M6)
186	SM355CE.186	BEARING SEAT (FRONT)	198	SM355CE.198	BRACKET
187	SM355CE.187	PIPE FITTING	199	SM355CE.199	BRUSH
188	SM355CE.188	REAR BLADE GUARD	200	SM355CE.200	ECCENTRIC SHAFT
189	SM355CE.189	BLADE GUARD (B)	201	SM355CE.201	BEARING
190	SM355CE.190	HEX SOCKET CAP SCREW (M6x8)	202	SM355CE.202	BLADE GUIDE (A)
191	SM355CE.191	BEARING SEAT (REAR)	203	SM355CE.203	HEX SOCKET CAP SCREW (M6x25)
192	SM355CE.192	PIPE FITTING	204	SM355CE.204	E-RING
193	SM355CE.193	SET SCREW (M6x20)	205	SM355CE.205	CENTRIC SHAFT
193-1	SM355CE.193-1	NUT (M6)	206	SM355CE.206	BEARING



ITEM	PART NO	DESCRIPTION	ITEM	PART NO	DESCRIPTION
26H-1	SM355CE.026H1	HYDRAULIC CYLINDER SUPPORT	26H-10	SM354CE021H10	SPRING WASHER
26H-2	SM354CE.021H2	HEX SOCKET CAP SCREW (M8x20)	26H-11	SM354CE021H11	HEX SOCKET CAP SCREW (M8x20)
26H-3	SM354CE.021H3	SPRING WASHER (M8)	26H-12	SM354CE021H12	HEX SOCKET CAP SCREW (M4x25)
26H-4	SM354CE.021H4	SCRWE (M10x55)	26H-13	SM354CE021H13	LIMIT SWITCH
26H-5	SM354CE.021H5	HYDRAULIC CYLINDER	26H-14	SM354CE021H14	SCREW (M5x10)
26H-6	SM354CE.021H6	NUT (M10)	26H-15	SM354CE021H15	ADJUSTING BRACKET
26H-7	SM354CE.021H7	SET SCREW (M6x12)	26H-16	SM354CE021H16	SETTING BRACKET
26H-8	SM354CE.021H8	BOTTOM SUPPORT	26H-17	SM354CE021H17	SET SCREW (M6x8)
26H-9	SM354CE.021H9	SUPPORT ROD			

**NOTE:** It is our policy to continually improve products and as such we reserve the right to alter data, specifications and component parts without prior notice.

**IMPORTANT:** No liability is accepted for incorrect use of product.

**WARRANTY:** Guarantee is 12 months from purchase date, proof of which will be required for any claim.

**INFORMATION:** For a copy of our latest catalogue and promotions call us on 01284 757525 and leave your full name and address, including postcode.