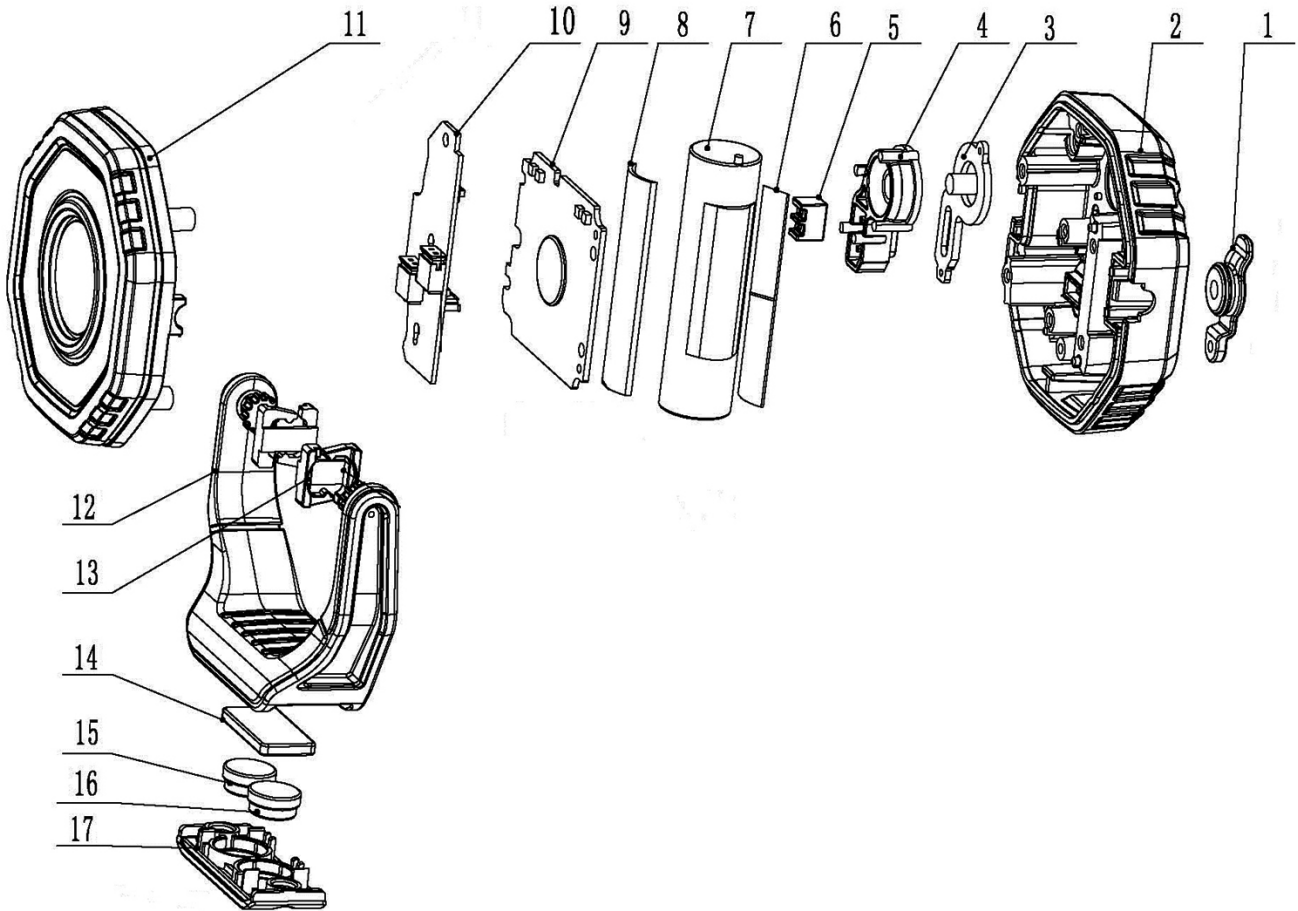


Parts Information:
**Rechargeable Pocket Floodlight with
 Magnet 360° 7W COB LED
 Model No: LED700P**



Item	Part No.	Description
1	LED360CM.05	Charging socket cover
2	LED700P.02	Aluminium Back Housing
3	LED700P.03	Switch Cap
4	LED700P.04	Switch Cap Fixing Plate
5	LED700P.05	Indicator Support
6	LED700P.06	Battery Protection Plate
7	LED3604.30	Battery, 3.7v, 2.6ah/9.6wh (Li-Ion)(H:65 W:19)
8	LED700P.08	Protection Foam
9	LED700P.09	COB

Item	Part No.	Description
10	LED700P.10	PCB
11	LED700P.11	Front Housing
12	LED700P.12	Nylon Stand ('U' Shape)
13	LED700P.13	Light Holder
14	LED700P.14	Magnet Fixing Plate
15	LED700P.15	Magnet (A)
16	LED700P.16	Magnet (B)
17	LED700P.17	Magnet Base
--	LED3602G.41	Micro USB with 5pin Cable (not shown)

NOTE: It is our policy to continually improve products and as such we reserve the right to alter data, specifications and component parts without prior notice. There may be alternative versions of this product, please contact us should you require this information.

IMPORTANT: No liability is accepted for incorrect use of product. Spare parts must be fitted by a competent person

WARRANTY: Guarantee is 12 months from purchase date, proof of which will be required for any claim.