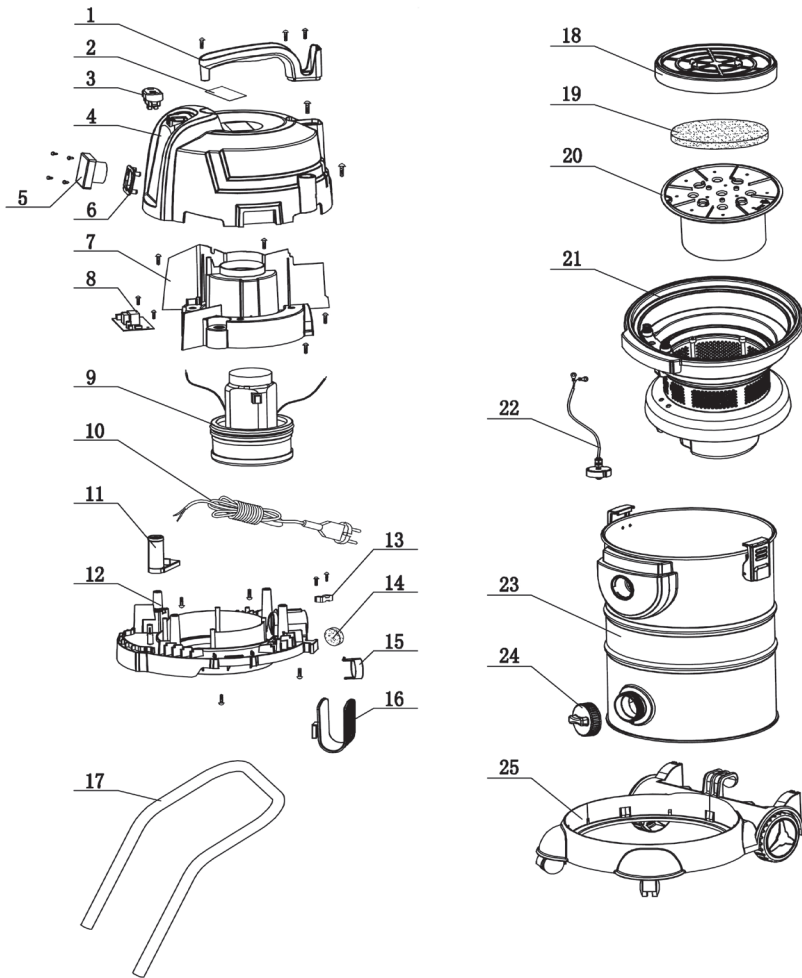




Parts Information:
Vacuum Cleaner Cyclone Wet & Dry 30ltr
1400W/230V
Model No: PC300BL



Item	Part No.	Description
1	PC300BL.01	Top Handle
2	PC300BL.02	Rating Label
3	PC300BL.03	Switch
4	PC300BL.04	Top Cover
5	PC300BL.05	Socket Ass'y
6	PC300BL.06	Socket Base
7	PC300BL.07	Motor Cover
8	PC300BL.08	PCB
9	PC300BL.09	Motor Assembly
11	PC300BL.11	Air Intake Tube
12	PC300BL.12	Middle Cover
13	PC300BL.13	Cable Grip
14	PC300BL.14	Outlet Filter Ass'y
15	PC300BL.15	Outlet Filter Cover
16	PC300BL.16	Hose Bracket
17	PC300BL.17	Handle
18	PC300BL.18	Intake Filter Cover Ass'y
19	PC300BL.19	Air Inlet Filter

Item	Part No.	Description
20	PC300BL.20	Cyclone Ass'y
21	PC300BL.21	Cyclone Cover Ass'y
22	PC300BL.22	Water Indicator
23	PC300BL.23	Tank Ass'y
24	PC300BL.24	Water Drainage Ass'y
25	PC300BL.25	Base
--	PC300BL.26	Bin Clip (not shown)
--	PC300BL.27	Rear Wheel Ass'y (not shown)
--	PC300BL.28	Universal Wheel (not shown)
--	PC300BL.29	Suction Tube (Plastic) (not shown)
--	PC300BL.30	Crevice Tool (not shown)
--	PC300BL.31	Round Brush (not shown)
--	PC300BL.32	Floor Nozzle (not shown)
--	PC300BL.33	Hose Assembly (not shown)
--	PC300BLFF10	Foam Filter for PC300BL Pack of 10 (not shown)
--	PC300BLPF	Panel Filter for PC300BL (not shown)

NOTE: It is our policy to continually improve products and as such we reserve the right to alter data, specifications and component parts without prior notice.

IMPORTANT: No liability is accepted for incorrect use of product. Spare parts must be fitted by a competent person

WARRANTY: Guarantee is 12 months from purchase date, proof of which will be required for any claim.

Sealey Group, Kempson Way, Suffolk Business Park, Bury St Edmunds, Suffolk. IP32 7AR



01284 757500



01284 703534



sales@sealey.co.uk



www.sealey.co.uk