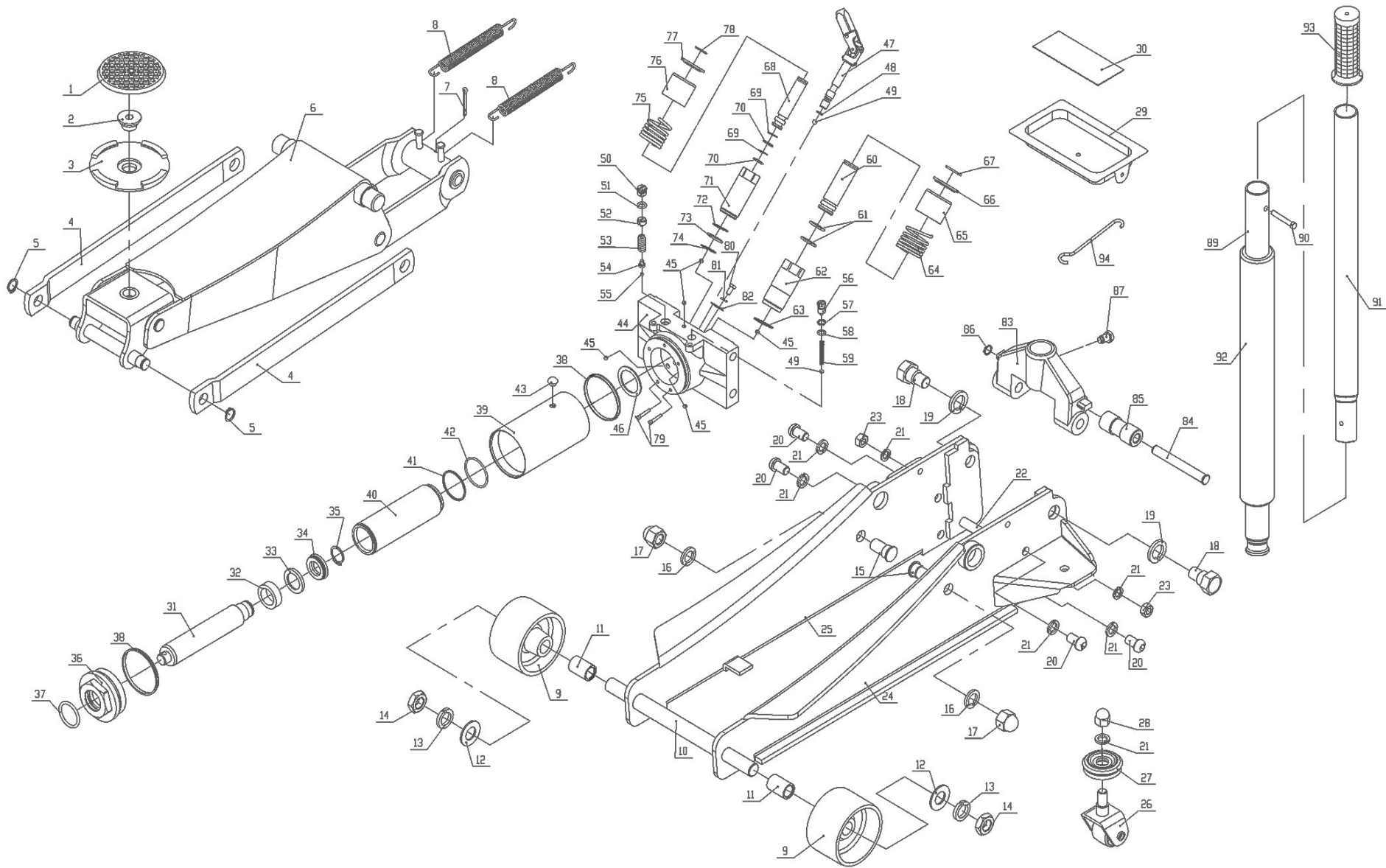




Parts Information:  
**Trolley Jack 4tonne Rocket Lift**  
**Model No: 4040.V2 SERIES**



Sealey Group, Kempson Way, Suffolk Business Park, Bury St Edmunds, Suffolk. IP32 7AR



01284 757500



01284 703534



sales@sealey.co.uk



www.sealey.co.uk



# Parts Information: Trolley Jack 4tonne Rocket Lift Model No: 4040.V2 SERIES

Item	Part No.	Description
1	4040A.01	Saddle Pad
2	4040A.02	Saddle Pin
3	4040A.03	Saddle
4	4040A.04	Radius Link
5	4040A.05	Snap Ring
6	4040AB.06	Lifting Arm Assembly 'Black' ( <b>4040AB Only</b> )
--	4040AG.06	Lifting Arm Assembly 'Green' ( <b>4040AG Only</b> )
--	4040AO.06	Lifting Arm Assembly 'Orange' ( <b>4040AO Only</b> )
--	4040AR.06	Lifting Arm Assembly 'Red' ( <b>4040AR Only</b> )
--	4040AY.06	Lifting Arm Assembly 'Yellow' ( <b>4040AY Only</b> )
7	4040A.07	Split Pin
8	4040A.08	Return Spring
9	4040AB.06	Front Wheel 'Black' ( <b>4040AB Only</b> )
--	4040AG.09	Front Wheel 'Green' ( <b>4040AG Only</b> )
--	4040AO.09	Front Wheel 'Orange' ( <b>4040AO Only</b> )
--	4040AR.09	Front Wheel 'Red' ( <b>4040AR Only</b> )
--	4040AY.09	Front Wheel 'Yellow' Assembly ( <b>4040AY Only</b> )
10	4040A.10	Front Axle
11	4040A.11	Front Wheel Bushing
12	4040A.12	Washer
13	4040A.13	Lock Washer
14	4040A.14	Nut
15	4040A.15	Radius Link Stud
16	4040A.16	Lock Washer
17	4040A.17	Domed Nut
18	4040A.18	Handle Socket Side Bolt
19	4040A.19	Lock Washer
20	4040A.20	Button Head Socket Screw
21	SWM12.S	Spring Washer M12 Zinc (single)
22	4040A.22	Frame Rod
23	4040A.23	Nut
24	4040A.24	Side Frame, Left
25	4040A.25	Side Frame, Right
26	4040AB.26	Castor Wheel Assembly 'Black' ( <b>4040AB Only</b> )
--	4040AG.26	Castor Wheel Assembly 'Green' ( <b>4040AG Only</b> )
--	4040AO.26	Castor Wheel Assembly 'Orange' ( <b>4040AO Only</b> )
--	4040AR.26	Castor Wheel Assembly 'Red' ( <b>4040AR Only</b> )
--	4040AY.26	Castor Wheel Assembly 'Yellow' ( <b>4040AY Only</b> )
27	4040A.27	Bearing Race Assembly
28	4040A.28	Domed Nut
29	4040A.29	Tool Tray c/w Part 30
30	4040A.30	Magnetic Rubber Pad

Item	Part No.	Description
31	4040A.31	Ram Plunger Assembly
32	4040A.32	Bushing Cover
33	4040A.33	Back-Up Washer
34	4040A.34	U-Cup Seal
35	4040A.35	Retaining Ring
36	4040A.36	Top Nut
37	4040A.37	O-Ring
38	4040A.38	Sealing Ring
39	4040A.39	Reservoir
40	4040A.40	Cylinder
41	4040A.41	Back-Up Washer
42	4040A.42	O-Ring
43	4040A.43	Oil Filler Plug
44	4040A.44	Base Plate
45	4040A.45	Steel Ball
46	4040A.46	Washer
47	3040A.48N	Release Valve Assembly
48	4040A.48	O-Ring
49	4040A.49	Steel Ball
50	4040A.50	Guide Screw
51	4040A.51	O-Ring
52	4040A.52	Safety Valve Screw
53	4040A.53	Valve Spring
54	4040A.54	Valve
55	4040A.55	Steel Ball
56	4040A.56	Bolt
57	4040A.57	Back-Up Washer
58	4040A.58	O-Ring
59	4040A.59	Spring
60	4040A.60	Pump Piston (Large)
61	4040A.61	O-Ring (Piston Pump 'Large')
62	4040A.62	Pump Cylinder (Large)
63	4040A.63	Washer (Pump Cylinder 'Large')
64	4040A.64	Spring (Pump Core 'Large')
65	4040A.65	Pump Core (Large)
66	4040A.66	Spring Cover Plate (Large)
67	4040A.67	Snap Ring
68	4040A.68	Pump Piston (Small)
69	4040A.69	Back-Up Washer
70	4040A.70	O-Ring (Pump Piston 'Small')
71	4040A.71	Pump Cylinder (Small)
72	4040A.72	Back-Up Washer

**NOTE:** It is our policy to continually improve products and as such we reserve the right to alter data, specifications and component parts without prior notice.

**IMPORTANT:** No liability is accepted for incorrect use of product.

**WARRANTY:** Guarantee is 12 months from purchase date, proof of which will be required for any claim.

Sealey Group, Kempson Way, Suffolk Business Park, Bury St Edmunds, Suffolk. IP32 7AR



01284 757500



01284 703534



sales@sealey.co.uk



www.sealey.co.uk



Parts Information:  
**Trolley Jack 4tonne Rocket Lift**  
**Model No: 4040.V2 SERIES**

Item	Part No.	Description
73	4040A.73	O-Ring (Pump Cylinder 'Small')
74	4040A.74	Washer (Pump Cylinder 'Small')
75	4040A.75	Spring (Pump Core 'Small')
76	4040A.76	Pump Core (Small)
77	4040A.77	Spring Cover Plate (Small)
78	4040A.78	Snap Ring
79	4040A.79	Strainer
80	4040A.80	Bolt
81	4040A.81	Lock Washer
82	4040A.82	Washer
83	4040A.83N	Handle Socket
84	4040A.84	Handle Socket Pin
85	4040A.85	Handle Socket Roller

Item	Part No.	Description
86	4040A.86	Snap Ring
87	4040A.87N	Handle Socket Bolt
88	4040A.88	Lock Washer
89	4040A.89N	Lower Handle c/w Part 92
90	4040A.90N	Handle Screw
91	4040A.91N	Upper Handle c/w Part 93
92	4040A.92	Handle Sleeve
93	4040A.93	Handle Grip
94	4040A.94N	Hook
--	4040A.HU	Hydraulic Unit Complete
--	4040A.RK	Repair Kit

**NOTE:** It is our policy to continually improve products and as such we reserve the right to alter data, specifications and component parts without prior notice.

**IMPORTANT:** No liability is accepted for incorrect use of product.

**WARRANTY:** Guarantee is 12 months from purchase date, proof of which will be required for any claim.

**Sealey Group**, Kempson Way, Suffolk Business Park, Bury St Edmunds, Suffolk. IP32 7AR



01284 757500



01284 703534



sales@sealey.co.uk



www.sealey.co.uk