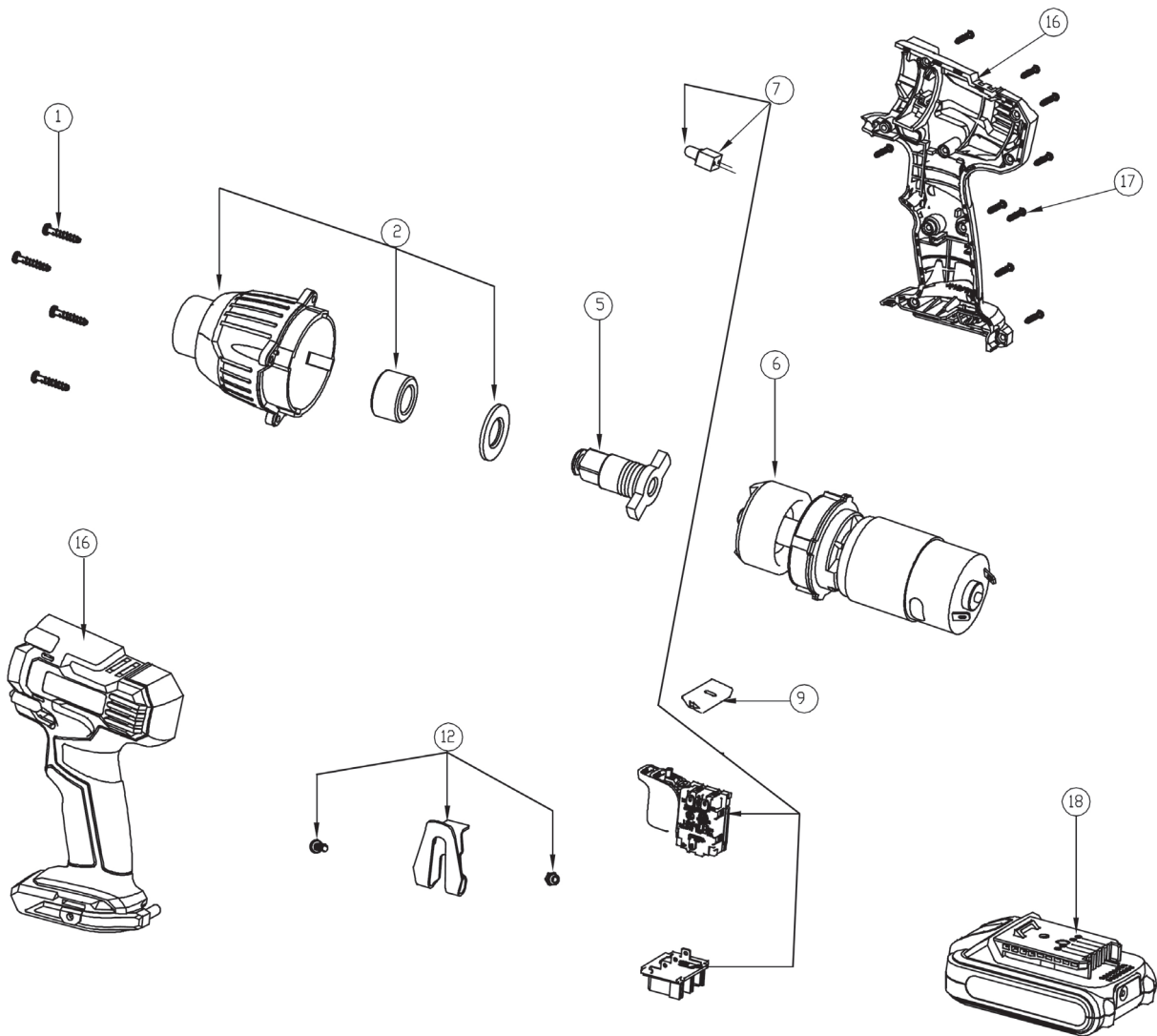




Parts Information:
**Impact Wrench 20V 1/2" Sq Drive 230Nm -
 Body Only**
Model No: CP20VIW



Item	Part No.	Description
1	CP20VIW.01	Front Casing Screw
2	CP20VIW.02	Front Casing (c/w Bush and O-ring)
5	CP20VIW.05	Output Shaft
6	CP20VIW.06	Gearbox Ass'y
7	CP20VIW.07	Switch Assembly
9	CP20VIW.09	Reversing Bar
12	CP20VIW.12	Belt Hook Assembly
16	CP20VIW.16	Casing Complete

Item	Part No.	Description
17	CP20VIW.17	Casing Screw
18	CP20VBP	Power Tool Battery 20V 3Ah Li-ion for CP20V Series (NO SUPPLIED)
--	CP20VBP2	Power Tool Battery 20V 2Ah Lithium-ion for CP20V Series (NO SUPPLIED)
--	CP20VBP4	Power Tool Battery 20V 4Ah Lithium-ion for CP20V Series (NO SUPPLIED)
--	CP20VMC	Battery Charger 20V Lithium-ion for CP20V Series (NO SUPPLIED)

NOTE: It is our policy to continually improve products and as such we reserve the right to alter data, specifications and component parts without prior notice.

IMPORTANT: No liability is accepted for incorrect use of product.

WARRANTY: Guarantee is 12 months from purchase date, proof of which will be required for any claim.

Sealey Group, Kempson Way, Suffolk Business Park, Bury St Edmunds, Suffolk. IP32 7AR



01284 757500



01284 703534



sales@sealey.co.uk



www.sealey.co.uk