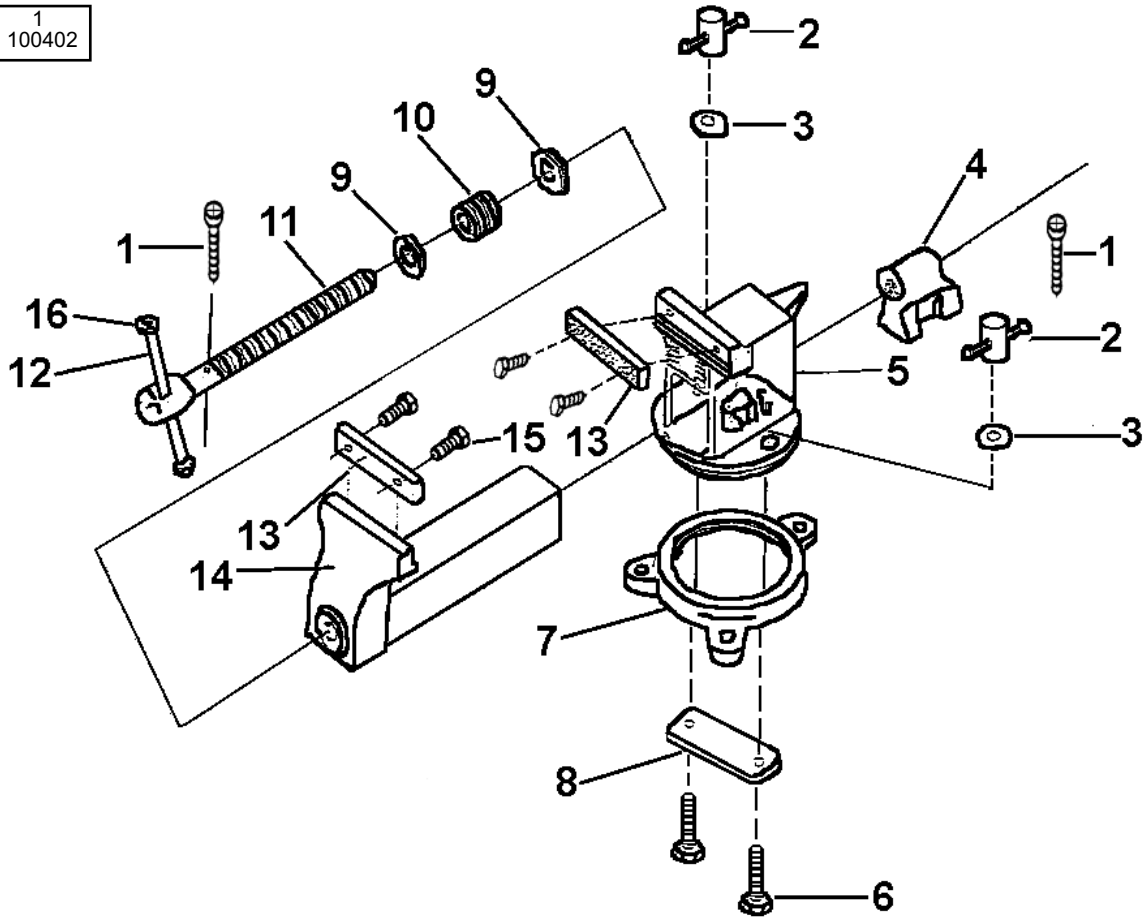


Issue: 1
Date: 100402



Note: For the complete part number, enter the model number as a prefix to the number shown i.e ASV200/01.

Note: Items 2, 3, 6, 7 & 8 are optional extras.

Item No	Part No	Description
1	ASV***/01	Leadscrew nut locking pin
2*	ASV***/02	Locking nut
3*	ASV***/03	Washer
4	ASV***/04	Leadscrew nut
5	ASV***/05	Back jaw
6*	ASV***/06	Locking bolt
7*	ASV***/07	Swivel base
8*	ASV***/08	Base plate
9	ASV***/09	Leadscrew washer
10	ASV***/10	Leadscrew bushing
11	ASV***/11	Leadscrew
12	ASV***/12	Handle with rubber bushing
13	ASV***/13	Jaw plate
14	ASV***/14	Front jaw
15	ASV***/15	Jaw plate set screw
16	ASV***/16	Rubber bushing

* Items available as optional extras.