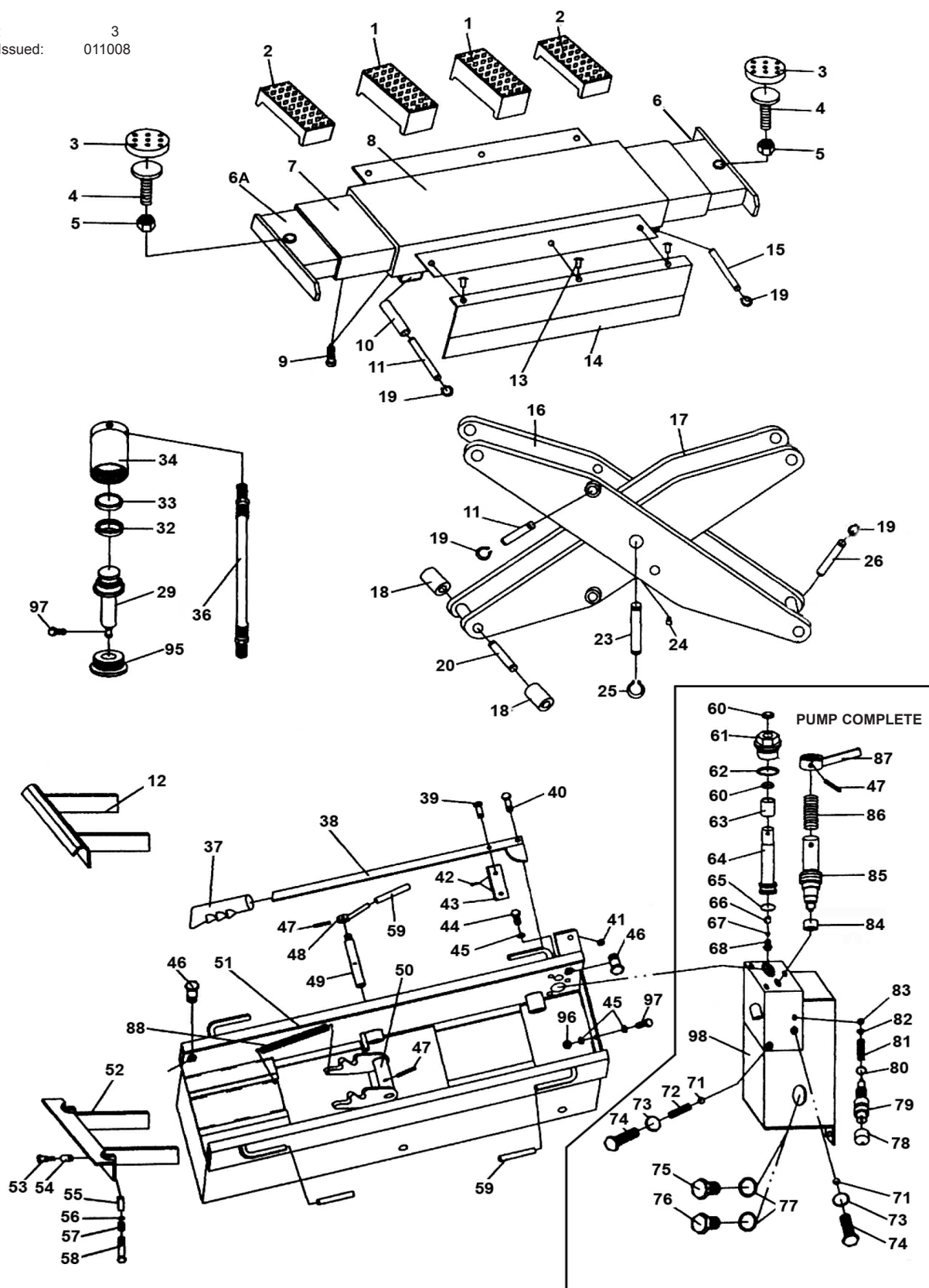


Issue: 3  
 Date Issued: 011008



**NOTE:** It is our policy to continually improve products and as such we reserve the right to alter data, specifications and component parts without prior notice.

**IMPORTANT:** No liability is accepted for incorrect use of product.

**WARRANTY:** Guarantee is 12 months from purchase date, proof of which will be required for any claim.

**INFORMATION:** For a copy of our latest catalogue and promotions call us on 01284 757525 and leave your full name and address, including postcode.



PARTS FOR:  
**JACKING BEAM**  
 MODEL: **SJBEX200.V2**

ITEM	PART NO	DESCRIPTION	ITEM	PART NO	DESCRIPTION
1	SJBEX200.2-01	ALUMINIUM SADDLE 1	52	SJBEX200.2-52	FLAT-END MOUNTING
2	SJBEX200.2-02	ALUMINIUM SADDLE 2	53	SJBEX200.2-53	SCREW
3	SJBEX200.2-03	RUBBER SADDLE COVER	54	SJBEX200.2-54	BUSHING
4	SJBEX200.2-04	THREADED SADDLE	55	SJBEX200.2-55	BLOCK
5	SJBEX200.2-05	NUT	56	SJBEX200.2-56	SPRING WASHER
6	SJBEX200.2-06	ADJUSTABLE BEAM (R/S)	57	SJBEX200.2-57	SPRING
6A	SJBEX200.2-6L	ADJUSTABLE BEAM (L/S)	58	SJBEX200.2-58	BOLT
7	SJBEX200.2-07	ADJUSTABLE BEAM INSERT	59	SJBEX200.2-59	HANDLE GRIP
8	SJBEX200.2-08	LIFTING BEAM	60	SJBEX200.2-60	U-RING
9	SJBEX200.2-09	SCREW	61	SJBEX200.2-61	PUMP HOUSING
10	SJBEX200.2-10	SHAFT BUSHING	62	SJBEX200.2-62	SEAL WASHER
11	SJBEX200.2-11	SHAFT	63	SJBEX200.2-63	COPPER BUSHING
12	SJBEX200.2-12	HOOK END MOUNTING	64	SJBEX200.64A	PISTON COMPLETE
13	SJBEX200.2-13	RIVET	65	SJBEX200.2-65	O-RING
14	SJBEX200.2-14	PROTECTIVE PLATE	66	SJBEX200.2-66	LINER
15	SJBEX200.2-15	SHAFT	67	SJBEX200.2-67	BALL 5mm
16	SJBEX200.2-16	OUTER SCISSORS ARM	68	SJBEX200.2-68	SCREW
17	SJBEX200.2-17	INNER SCISSORS ARM	71	SJBEX200.2-71	STEEL BALL
18	SJBEX200.2-18	SHAFT BUSHING	72	SJBEX200.2-72	SPRING
19	SJBEX200.2-19	RETAINING RING	73	SJBEX200.2-73	SEAL WASHER
20	SJBEX200.2-20	SHAFT	74	SJBEX200.2-74	BOLT
23	SJBEX200.2-23	SHAFT	75	SJBEX200.2-75	AIR VENT VALVE
24	SJBEX200.2-24	OIL INLET	76	SJBEX200.2-76	SCREW
25	SJBEX200.2-25	RETAINING RING	77	SJBEX200.2-77	O-RING
26	SJBEX200.2-26	SHAFT	78	SJBEX200.2-78	COVER
29	SJBEX200.2-29	PISTON	79	SJBEX200.2-79	ADJUSTING SCREW
32	SJBEX200.2-32	RETAINING RING	80	SJBEX200.2-80	O-RING
33	SJBEX200.2-33	U-RING	81	SJBEX200.2-81	SPRING
34	SJBEX200.2-34	CYLINDER	82	SJBEX200.2-82	SPRING GUIDE
36	SJBEX200.2-36	OIL PIPE	83	SJBEX200.2-83	BALL (4.7mm)
37	SJBEX200.2-37	HANDLE GRIP	84	SJBEX200.2-84	SEAL WASHER
38	SJBEX200.38A	HANDLE	85	SJBEX200.85A	RELEASE ROD
39	SJBEX200.39A	PIN SHAFT	86	SJBEX200.2-86	SPRING
40	SJBEX200.40A	BOLT	87	SJBEX200.87A	RELEASE KNOB
41	SJBEX200.2-41	NUT	88	SJBEX200.2-88	SPRING
42	SJBEX200.2-42	SPLIT PIN	95	SJBEX200.2-95	CYLINDER CAP
43	SJBEX200.43A	BLOCK	96	SJBEX200.2-96	NUT M8
44	SJBEX200.2-44	BOLT	97	SJBEX200.2-97	BOLT M8*25
45	SJBEX200.2-45	WASHER	98	SJBEX200.2-98	PUMP ASS'Y
46	SJBEX200.2-46	BOLT	99	SJBEX200.2-99	COMPLETE PUMP UNIT
47	SJBEX200.2-47	SPRING PIN			(inc: 47,60,61,62,63,64,65,66,67,68
48	SJBEX200.2-48	HANDLE KNOB			71,72,73,74,75,76,77,78,79,80,81,82,
49	SJBEX200.2-49	SHAFT			83,84,85,86,87 & 98)
50	SJBEX200.2-50	SAFETY LOCK			
51	SJBEX200.2-51	CHASSIS			

**NOTE:** It is our policy to continually improve products and as such we reserve the right to alter data, specifications and component parts without prior notice.

**IMPORTANT:** No liability is accepted for incorrect use of product.

**WARRANTY:** Guarantee is 12 months from purchase date, proof of which will be required for any claim.

**INFORMATION:** For a copy of our latest catalogue and promotions call us on 01284 757525 and leave your full name and address, including postcode.

	<b>Sole UK Distributor</b> <b>Sealey Group,</b> Bury St. Edmunds, Suffolk.	<b>01284 757500</b> <b>01284 703534</b>	<a href="http://www.sealey.co.uk">www.sealey.co.uk</a> <a href="mailto:sales@sealey.co.uk">sales@sealey.co.uk</a>
--	----------------------------------------------------------------------------------	--------------------------------------------	----------------------------------------------------------------------------------------------------------------------