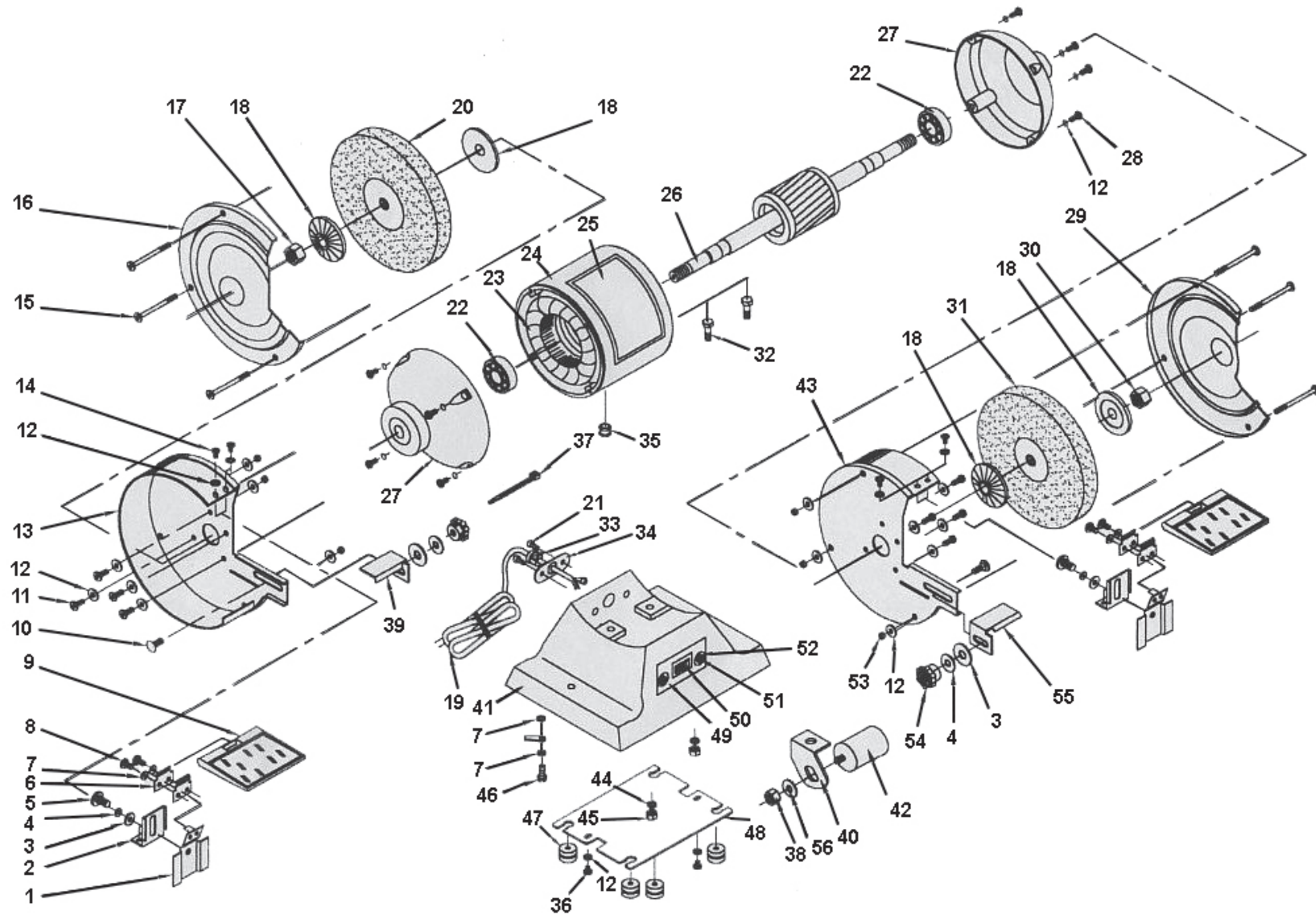




Parts Information:
Bench Grinder Ø150mm 370W/230V
Model No: BG150XL/96.V2



Sealey Group, Kempson Way, Suffolk Business Park, Bury St Edmunds, Suffolk. IP32 7AR



01284 757500



01284 703534



sales@sealey.co.uk



www.sealey.co.uk



Parts Information:
Bench Grinder Ø150mm 370W/230V
Model No: BG150XL/96.V2

| Item | Part No. | Description |
|------|---------------|---|
| 1 | BG150XL96V201 | EYESHIELD BRACKET |
| 2 | BG150XL96V202 | BRACKET SUPPORT |
| 3 | RW619.S | REPAIR WASHER M6x19 (SINGLE) |
| 4 | FWM6.S | FLAT WASHER M6 SINGLE |
| 5 | MSP610.S | MACHINE SCREW PAN HEAD PHILLIPS M6x10mm (SINGLE) |
| 6 | BG150XL96V206 | EYESHIELD HOLDER |
| 7 | FWM4.S | FLAT WASHER M4 SINGLE |
| 8 | MSP46.S | MACHINE SCREW PAN HEAD PHILLIPS M5x6mm (SINGLE) |
| 9 | BG150XL96V209 | EYESHIELD |
| 10 | BG150XL96V210 | BOLT M6x16 |
| 11 | MSP510.SB | MACHINE SCREW PAN HEAD PHILLIPS M5x10mm BLACK |
| 12 | FWM5.S | FLAT WASHER M5 SINGLE |
| 13 | BG150XL96V213 | LEFT WHEEL GUARD |
| 14 | BG150XL96V214 | SCREW M5x8 |
| 15 | BG150XL96V215 | SCREW M5x58 |
| 16 | BG150XL96V216 | LEFT COVER, WHEEL GUARD |
| 17 | BG150XL96V217 | NUT M12 LEFT |
| 18 | BG150XL96V218 | WHEEL FLANGE |
| 19 | BG150XL96V219 | CORD & PLUG |
| | BG150/16 | GRINDING STONE 150x20mm 32(13)mm BORE A36Q COARSE |
| 21 | BG150XL96V221 | SCREW M5x8 |
| 22 | B/6202ZZ | BEARING 6202ZZ |
| 23 | BG150XL96V223 | STATOR |
| 24 | BG150XL96V224 | MOTOR CASE |
| 25 | BG150XL96V225 | LABEL |
| 26 | BG150XL96V226 | ROTOR |
| 27 | BG150XL96V227 | END CASING |
| 28 | BG150XL96V228 | SCREW M5x16 |

| Item | Part No. | Description |
|------|---------------|--|
| 29 | BG150XL96V229 | RIGHT COVER, WHEEL GUARD |
| 30 | BG150XL96V230 | NUT M12 LEFT |
| | BG150/15 | GRINDING STONE 150x20mm 32(13)mm BORE A60P FINE |
| 32 | BG150XL96V232 | BOLT M6x25 |
| 33 | BG150XL96V233 | CORD GRIP |
| 34 | BG150XL96V234 | STRAIN RELIEF |
| 35 | BG150XL96V235 | PROTECTION RING |
| 36 | BG150XL96V236 | SCREW M5x10 |
| 37 | BG150XL96V237 | CABLE TIE |
| 38 | SN8.S | STEEL NUT M8 ZINC DIN934 (SINGLE) |
| 39 | BG150XL96V239 | TOOL REST, LEFT |
| 40 | BG150XL96V240 | CAPACITOR HOLDER |
| 41 | BG150XL96V241 | BASE |
| 42 | BG150XL96V242 | CAPACITOR |
| 43 | BG150XL96V243 | RIGHT WHEEL GUARD |
| 44 | FWM6.S | FLAT WASHER M6 SINGLE |
| 45 | SN6.S | STEEL NUT M6 ZINC DIN934 (SINGLE) |
| 46 | BG150XL96V246 | SCREW M5x8 |
| 47 | BG150XL96V247 | RUBBER FOOT |
| 48 | BG150XL96V248 | BASE PLATE |
| 49 | BG150XL96V249 | SWITCH LABEL |
| 50 | BG150XL96V250 | SWITCH |
| 51 | MSP310.S | MACHINE SCREW PAN HEAD PHILLIPS M3x10mm (SINGLE) |
| 52 | FWM3.S | FLAT WASHER M3 SINGLE |
| 53 | SN5.S | STEEL NUT M5 ZINC DIN934 (SINGLE) |
| 54 | BG150XL/96-TF | TOOL REST FIXING COMPLETE |
| 55 | BG150XL96V255 | RIGHT ADJUSTABLE REST |
| 56 | FWM8.S | FLAT WASHER M8 SINGLE |

NOTE: It is our policy to continually improve products and as such we reserve the right to alter data, specifications and component parts without prior notice.

IMPORTANT: No liability is accepted for incorrect use of product.

WARRANTY: Guarantee is 12 months from purchase date, proof of which will be required for any claim.

Sealey Group, Kempson Way, Suffolk Business Park, Bury St Edmunds, Suffolk. IP32 7AR



01284 757500



01284 703534



sales@sealey.co.uk



www.sealey.co.uk