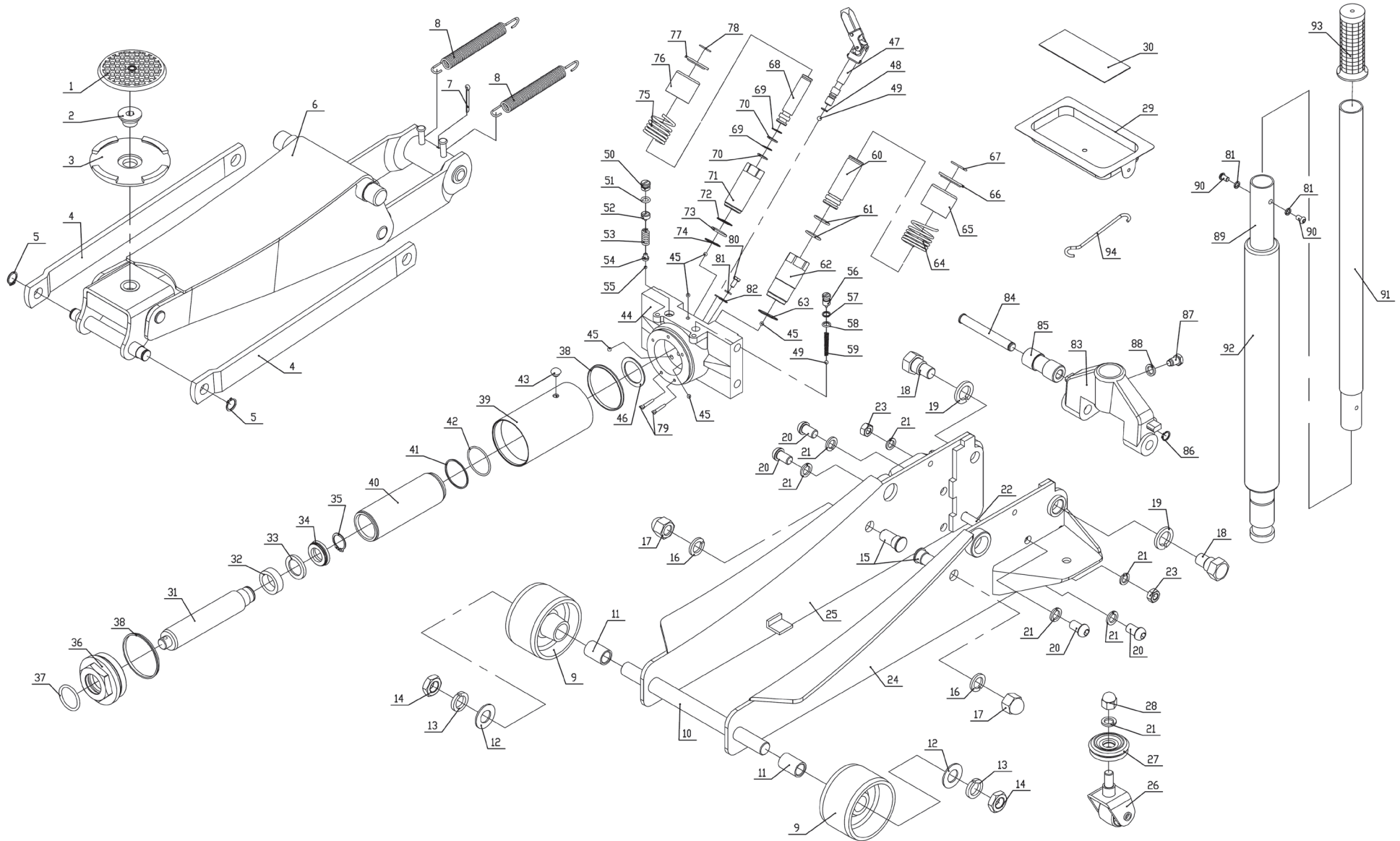




Parts Information:
Trolley Jack 4tonne Rocket Lift
Model No: 4040 SERIES



Sealey Group, Kempson Way, Suffolk Business Park, Bury St Edmunds, Suffolk. IP32 7AR



01284 757500



01284 703534



sales@sealey.co.uk



www.sealey.co.uk



Parts Information: Trolley Jack 4tonne Rocket Lift Model No: 4040 SERIES

| Item | Part No. | Description |
|------|-----------|---|
| 1 | 4040A.01 | SADDLE PAD |
| 2 | 4040A.02 | SADDLE PIN |
| 3 | 4040A.03 | SADDLE |
| 4 | 4040A.04 | RADIUS LINK |
| 5 | 4040A.05 | SNAP RING |
| 6 | 4040AG.06 | LIFTING ARM ASSEMBLY 'GREEN' (4040AG only) |
| -- | 4040AO.06 | LIFTING ARM ASSEMBLY 'ORANGE' (4040AO only) |
| -- | 4040AY.06 | LIFTING ARM ASSEMBLY 'YELLOW' (4040AY only) |
| 7 | 4040A.07 | SPLIT PIN |
| 8 | 4040A.08 | RETURN SPRING |
| 9 | 4040AG.09 | FRONT WHEEL 'GREEN' (4040AG only) |
| -- | 4040AO.09 | FRONT WHEEL 'ORANGE' (4040AO only) |
| -- | 4040AY.09 | FRONT WHEEL 'YELLOW' (4040AY only) |
| 10 | 4040A.10 | FRONT AXLE |
| 11 | 4040A.11 | FRONT WHEEL BUSHING |
| 12 | 4040A.12 | WASHER |
| 13 | 4040A.13 | LOCK WASHER |
| 14 | 4040A.14 | NUT |
| 15 | 4040A.15 | RADIUS LINK STUD |
| 16 | 4040A.16 | LOCK WASHER |
| 17 | 4040A.17 | DOMED NUT |
| 18 | 4040A.18 | HANDLE SOCKET SIDE BOLT |
| 19 | 4040A.19 | LOCK WASHER |
| 20 | 4040A.20 | BUTTON HEAD SOCKET SCREW |
| 21 | 4040A.21 | LOCK WASHER |
| 22 | 4040A.22 | FRAME ROD |
| 23 | 4040A.23 | NUT |
| 24 | 4040A.24 | SIDE FRAME, LEFT |
| 25 | 4040A.25 | SIDE FRAME, RIGHT |
| 26 | 4040AG.26 | CASTOR WHEEL ASSEMBLY 'GREEN' (4040AG only) |
| -- | 4040AO.26 | CASTOR WHEEL ASSEMBLY 'ORANGE' (4040AO only) |
| -- | 4040AY.26 | CASTOR WHEEL ASSEMBLY 'YELLOW' (4040AY only) |
| 27 | 4040A.27 | BEARING RACE ASSEMBLY |
| 28 | 4040A.28 | DOMED NUT |
| 29 | 4040A.29 | TOOL TRAY |
| 30 | 4040A.30 | MAGNETIC RUBBER PAD |
| 31 | 4040A.31 | RAM PLUNGER |
| 32 | 4040A.32 | BUSHING COVER |
| 33 | 4040A.33 | BACK-UP WASHER |

| Item | Part No. | Description |
|------|----------|--------------------------------|
| 34 | 4040A.34 | U-CUP SEAL |
| 35 | 4040A.35 | RETAINING RING |
| 36 | 4040A.36 | TOP NUT |
| 37 | 4040A.37 | O-RING |
| 38 | 4040A.38 | SEALING RING |
| 39 | 4040A.39 | RESERVIOR |
| 40 | 4040A.40 | CYLINDER |
| 41 | 4040A.41 | BACK-UP WASHER |
| 42 | 4040A.42 | O-RING |
| 43 | 4040A.43 | OIL FILLER PLUG |
| 44 | 4040A.44 | BASE PLATE |
| 45 | 4040A.45 | STEEL BALL |
| 46 | 4040A.46 | WASHER |
| 47 | 4040A.47 | RELEASE VALVE ASSEMBLY |
| 48 | 4040A.48 | O-RING |
| 49 | 4040A.49 | STEEL BALL |
| 50 | 4040A.50 | GUIDE SCREW |
| 51 | 4040A.51 | O-RING |
| 52 | 4040A.52 | SAFETY VALVE SCREW |
| 53 | 4040A.53 | VALVE SPRING |
| 54 | 4040A.54 | VALVE |
| 55 | 4040A.55 | STEEL BALL |
| 56 | 4040A.56 | BOLT |
| 57 | 4040A.57 | BACK-UP WASHER |
| 58 | 4040A.58 | O-RING |
| 59 | 4040A.59 | SPRING |
| 60 | 4040A.60 | PUMP PISTON (LARGE) |
| 61 | 4040A.61 | O-RING (PISTON PUMP 'LARGE') |
| 62 | 4040A.62 | PUMP CYLINDER (LARGE) |
| 63 | 4040A.63 | WASHER (PUMP CYLINDER 'LARGE') |
| 64 | 4040A.64 | SPRING (PUMP CORE 'LARGE') |
| 65 | 4040A.65 | PUMP CORE (LARGE) |
| 66 | 4040A.66 | SPRING COVER PLATE (LARGE) |
| 67 | 4040A.67 | SNAP RING |
| 68 | 4040A.68 | PUMP PISTON (SMALL) |
| 69 | 4040A.69 | BACK-UP WASHER |
| 70 | 4040A.70 | O-RING (PUMP PISTON 'SMALL') |
| 71 | 4040A.71 | PUMP CYLINDER (SMALL) |
| 72 | 4040A.72 | BACK-UP WASHER |
| 73 | 4040A.73 | O-RING (PUMP CYLINDER 'SMALL') |
| 74 | 4040A.74 | WASHER (PUMP CYLINDER 'SMALL') |
| 75 | 4040A.75 | SPRING (PUMP CORE 'SMALL') |
| 76 | 4040A.76 | PUMP CORE (SMALL) |

NOTE: It is our policy to continually improve products and as such we reserve the right to alter data, specifications and component parts without prior notice.

IMPORTANT: No liability is accepted for incorrect use of product.

WARRANTY: Guarantee is 12 months from purchase date, proof of which will be required for any claim.

Sealey Group, Kempson Way, Suffolk Business Park, Bury St Edmunds, Suffolk. IP32 7AR



01284 757500



01284 703534



sales@sealey.co.uk



www.sealey.co.uk



Parts Information:
Trolley Jack 4tonne Rocket Lift
Model No: 4040 SERIES

| Item | Part No. | Description |
|------|----------|----------------------------|
| 77 | 4040A.77 | SPRING COVER PLATE (SMALL) |
| 78 | 4040A.78 | SNAP RING |
| 79 | 4040A.79 | STRAINER |
| 80 | 4040A.80 | BOLT |
| 81 | 4040A.81 | LOCK WASHER |
| 82 | 4040A.82 | WASHER |
| 83 | 4040A.83 | HANDLE SOCKET |
| 84 | 4040A.84 | HANDLE SOCKET PIN |
| 85 | 4040A.85 | HANDLE SOCKET ROLLER |

| Item | Part No. | Description |
|------|----------|--------------------|
| 86 | 4040A.86 | SNAP RING |
| 87 | 4040A.87 | HANDLE SOCKET BOLT |
| 88 | 4040A.88 | LOCK WASHER |
| 89 | 4040A.89 | LOWER HANDLE |
| 90 | 4040A.90 | HANDLE SCREW |
| 91 | 4040A.91 | UPPER HANDLE |
| 92 | 4040A.92 | HANDLE SLEEVE |
| 93 | 4040A.93 | HANDLE GRIP |
| 94 | 4040A.94 | HOOK |

NOTE: It is our policy to continually improve products and as such we reserve the right to alter data, specifications and component parts without prior notice.

IMPORTANT: No liability is accepted for incorrect use of product.

WARRANTY: Guarantee is 12 months from purchase date, proof of which will be required for any claim.

Sealey Group, Kempson Way, Suffolk Business Park, Bury St Edmunds, Suffolk. IP32 7AR



01284 757500



01284 703534



sales@sealey.co.uk



www.sealey.co.uk