



SPARE PARTS LISTING SHEET FOR

550W 230V 457mm Digital Wood Lathe

Stock No.60989

Part No.WTL457

KEY No.	PART No.	STOCK No.	DESCRIPTION
1	YWTL457-01	62896	Hand Wheel
2	YWTL457-02	62897	Hex Socket Screw M6x12
3	YWTL457-03	62898	Collar Spindle
4	YWTL457-04	62899	Ball Bearing 80105
5	YWTL457-05	62900	Hex Socket Screw M8x25
6	YWTL457-06	62901	Washer
7	YWTL457-07	62902	Rear Belt Door
8	YWTL457-08	62903	Moving Knob
9	YWTL457-09	62904	Stationary Knob
10	YWTL457-10	62905	Bolt
11	YWTL457-11	62906	Semi-circle Head Screw
12	YWTL457-12	62907	Headstock
13	YWTL457-13	62908	Retaining Ring
14	YWTL457-14	62910	Headstock Spindle
15	YWTL457-15	62911	Face Plate
16	YWTL457-16	62912	Headstock Spur Centre
17	YWTL457-17	62913	Lock Handle For Tool Rest Base
18	YWTL457-18	62914	Retaining Ring
19	YWTL457-19	62915	Tool Rest Bushing
20	YWTL457-20	62916	Tool Rest (150mm ,300mm)
21	YWTL457-21	62917	Tool Rest Base
22	YWTL457-22	62918	Tool Rest Cam Follower
23	YWTL457-23	62919	Flat Head Screw
24	YWTL457-24	62920	Spring
25	YWTL457-25	62921	Handle
26	YWTL457-26	62922	Lock Bolt
27	YWTL457-27	62923	Cup Centre
28	YWTL457-28	62924	Ball Bearing 80102
29	YWTL457-29	62925	Taper Rod
30	YWTL457-30	62926	Tailstock Quill
31	YWTL457-31	62927	Tail Axis
32	YWTL457-32	62928	Tailstock
33	YWTL457-33	62929	Eccentric Axis
34	YWTL457-34	62930	Quill Adjusting Wheel
35	YWTL457-35	62931	Quill Crank Handle
36	YWTL457-36	62932	Bolt
37	YWTL457-37	62933	Cam Follower Tailstock
38	YWTL457-38	62934	Bed
39	YWTL457-39	62935	Retaining Plate
40	YWTL457-40	62936	Hex Socket Screw M10x12

KEY No.	PART No.	STOCK No.	DESCRIPTION
41	YWTL457-41	62940	Lock Plate
42	YWTL457-42	62941	Nut M10
43	YWTL457-43	62942	Flat Head Screw
44	YWTL457-44	62947	Spring Washer
45	YWTL457-45	62961	Handle
46	YWTL457-46	62962	Lock Screw
47	YWTL457-47	62964	Hex Socket Screw M8x12
48	YWTL457-48	62967	Motor Plate
49	YWTL457-49	62972	Big Washer
50	YWTL457-50	62974	Washer
51	YWTL457-51	62975	Motor Pulley
52	YWTL457-52	62976	Drive Pulley
53	YWTL457-53	62977	Drive Belt
54	YWTL457-54	62978	Bolt
55	YWTL457-55	62979	Washer
56	YWTL457-56	62980	Door Latch
57	YWTL457-57	62981	Washer
58	YWTL457-58	62982	Hinge
59	YWTL457-59	62983	Semi-circle Head Screw M4x8
60	YWTL457-60	62985	Switch-box Plate
61	YWTL457-61	63007	Pin Hinge
62	YWTL457-62	63021	Power Cord
63	YWTL457-63	63022	Overload Protector
64	YWTL457-64	63036	Line Board
65	YWTL457-65	63075	Screw M4x6
66	YWTL457-66	63102	Switch-box
67	YWTL457-67	63104	Knob
68	YWTL457-68	63105	Switch
69	YWTL457-69	63106	Hex Screw M6x12
70	YWTL457-70	63108	Motor
71	YWTL457-71	63110	Rubber Washer
72	YWTL457-72	63139	Nut M10
73	YWTL457-73	63143	Retaining Ring
74	YWTL457-74	63146	Washer
75	YWTL457-75	63149	Flat Head Screw
80	YWTL457-80	63254	Variable Plate
81	YWTL457-81	63255	Screw
82	YWTL457-82	63281	Digital display
83	YWTL457-83	63282	Transformer

Helpline: (023) 8049 4344. Sales Desk: (023) 8049 4333. General Enquiries: (023) 8026 6355.

DRAPER TOOLS LTD, HURSLEY ROAD, CHANDLER'S FORD, EASTLEIGH, HANTS. SO53 1YF. U.K website: www.drapertools.com e-mail: sales@drapertools.com

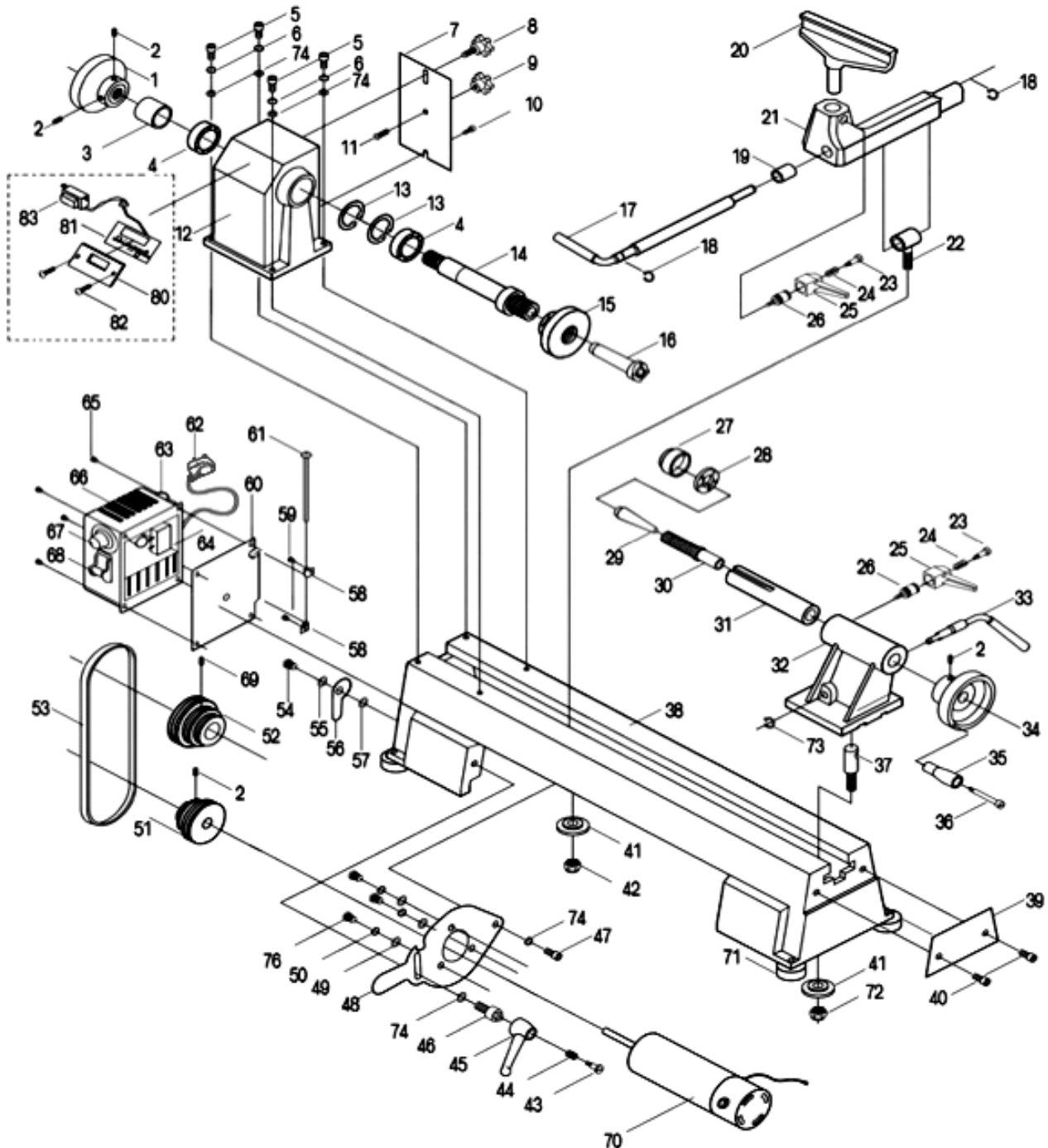


SPARE PARTS DRAWING SHEET FOR

550W 230V 457mm Digital Wood Lathe

Stock No.60989

Part No.WTL457



Helpline: (023) 8049 4344. Sales Desk: (023) 8049 4333. General Enquiries: (023) 8026 6355.

DRAPER TOOLS LTD, HURSLEY ROAD, CHANDLER'S FORD, EASTLEIGH, HANTS. SO53 1YF U.K website: www.drapertools.com e-mail: sales@drapertools.com

DKKC240714