

Item	Part No.	Description
1	VS870.U01	TOP COVER
2	VS870.U02	SCREW (M5x10) 'SET OF 4'
3	VS870.U03	HOSE HOLD (BLACK) 'SET OF 2'
3A	VS870.U03A	SCREW (M5x10) 'SET OF 4'
4	VS870.U04	PRESSURE VALVE
5	VS870.U05	HEX BOLT 'SET OF 2'
6	VS870.U06	ADAPTOR 1/4PT 6mm 'SET OF 3'
7	VS870.V2-U07	ADAPTOR
8	VS870.U08	OIL PIPE 4.8m/m
9	VS870.U09	CLIP 'SET OF 2'
10	VS870.U10	FLOW METER
--	VS870.U10A	KNOB FOR FLOW METER (not shown)
11	VS870.U11	ADAPTOR 1/8PT 6mm 'SET OF 2'
12	VS870.U12	FOOT 'SET OF 4'
13	VS870.U13	SCREW (M6x15) 'SET OF 4'

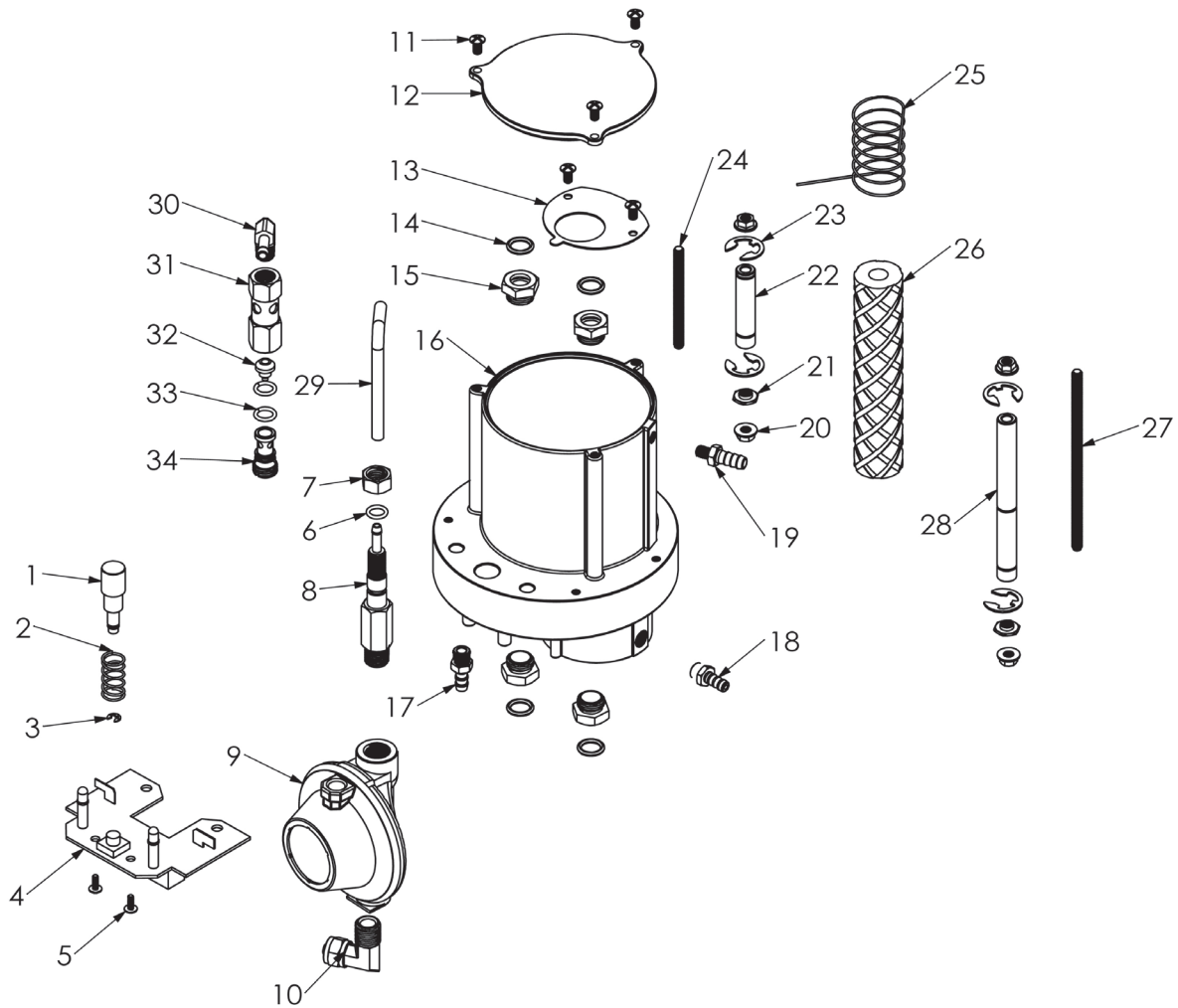
Item	Part No.	Description
14	VS870.U14	POWER CONNECTOR (FEMALE)
15	VS870.V2-U15	OIL CUP KNOB
15A	VS870.U15A	O-RING P10 (9.8x1.9mm)
16	VS870.V2-U16	TUBE
17	VS870.V2-U17	TUBE BLOCK
18	VS870.V2-U18	PUMP CONNECTOR
19	VS870.U19	ACRYLIC TUBE (15x11x36mm)
20	VS870.U20	WASHER 'SET OF 2'
21	VS870.V2-U21	TUBE BLOCK (LOWER)
22	VS870.U22	SCREW (M4x55) 'SET OF 4'
23	VS870.U23	SCREW (M3x4) 'SET OF 2'
24	VS870.U24	FIXED SUPPORT
25	VS870.U25	SCREW (M4x8) 'SET OF 4'
26	VS870.V2-U26	CONNECTOR

NOTE: It is our policy to continually improve products and as such we reserve the right to alter data, specifications and component parts without prior notice.

IMPORTANT: No liability is accepted for incorrect use of product.

WARRANTY: Guarantee is 12 months from purchase date, proof of which will be required for any claim.

Parts Information: Smoke Diagnostic Tool - Leak Detector Model No: VS870.V2



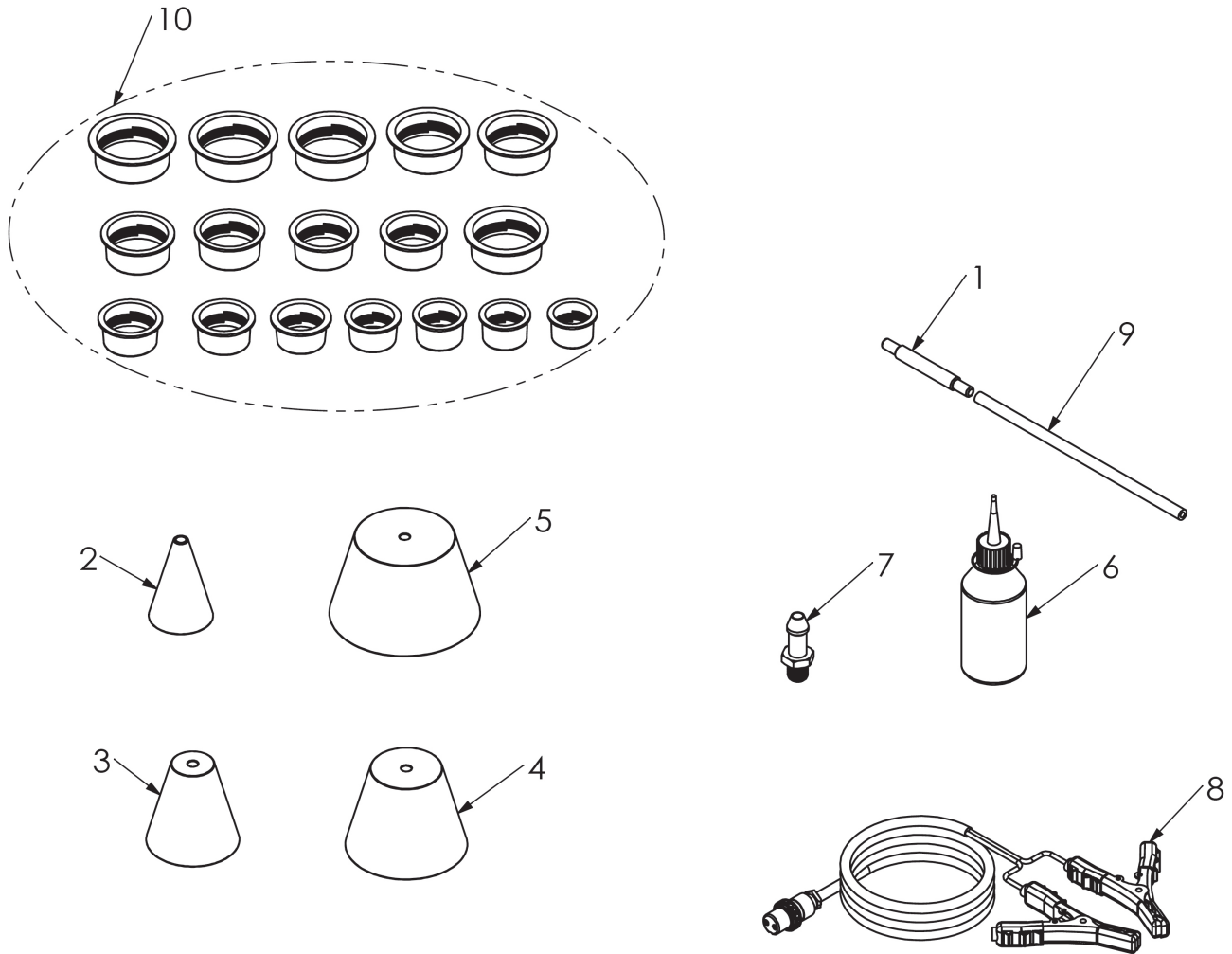
Item	Part No.	Description
1	VS870.V2-P01	POWER SWITCH BUTTON
2	VS870.V2-P02	SWITCH SPRING
3	VS870.V2-P03	E-RING
4	VS870.V2-P04	CIRCUIT BOARD
5	VS870.V2-P05	FLAT HEAD SCREW 3x8
6	VS870.V2-P06	HEX NUT
7	VS870.V2-P07	O-RING 6.07x1.78
8	VS870.V2-P08	AIR INLET
9	VS870.V2-P09	GAS REGULATOR
10	VS870.V2-P10	ELBOW 1/4"pt 90 Deg
11	VS870.V2-P11	FLAT HEAD SCREW 4x8
12	VS870.V2-P12	TOP COVER
13	VS870.V2-P13	GASKET FOR TOP COVER
14	VS870.V2-P14	O-RING 11x2
15	VS870.V2-P15	ROD HOLDER
16	VS870.V2-P16	TANK
17	VS870.V2-P17	AIR INLET 1/8ps 6mm

Item	Part No.	Description
18	VS870.V2-P18	AIR INLET 1/8pt
19	VS870.V2-P19	PNEUMATIC COUPLING
20	VS870.V2-P20	FLANGE NUT M5
21	VS870.V2-P21	STUD FIXING GASKET
22	VS870.V2-P22	STUD PROTECTION (SHORT)
23	VS870.V2-P23	E-RING
24	VS870.V2-P24	STUD M5
25	VS870.06	HEATING WIRE
26	VS870.V2-P26	FIBREGLOSS ELEMENT
27	VS870.V2-P27	STUD M5 (LONG)
28	VS870.V2-P28	STUD PROTECTION (LONG)
29	VS870.V2-P29	CLEAR TUBE 4x6x95mmL
30	VS870.V2-P30	ELBOW 90deg
31	VS870.V2-P31	VALVE SEAT (UPPER)
32	VS870.V2-P32	VALVE PACKING
33	VS870.V2-P33	O-RING 7.65x1.78
34	VS870.V2-P34	VALVE SEAT (LOWER)

NOTE: It is our policy to continually improve products and as such we reserve the right to alter data, specifications and component parts without prior notice.

IMPORTANT: No liability is accepted for incorrect use of product.

WARRANTY: Guarantee is 12 months from purchase date, proof of which will be required for any claim.



Item	Part No.	Description
1	VS870.V2-01	ALUMINIUM JOINT
2	VS870.02	RUBBER CONE (dia 10-45mm)
3	VS870.03	RUBBER CONE (dia 30-65mm)
4	VS870.04	RUBBER CONE (dia 50-85mm)
5	VS870.05	RUBBER CONE (dia 75-100mm)

Item	Part No.	Description
6	VS870.V2-06	BOTTLE
7	VS870.V2-07	ADAPTOR
8	VS0207.16	POWER CABLE(C/W POS & NEG CLAMP)
9	VS870.V2-09	TUBE 4x8mm
10	VS870.V2-10	RUBBER STOPPER SET (17pcs)

NOTE: It is our policy to continually improve products and as such we reserve the right to alter data, specifications and component parts without prior notice.

IMPORTANT: No liability is accepted for incorrect use of product.

WARRANTY: Guarantee is 12 months from purchase date, proof of which will be required for any claim.