



INSTRUCTIONS FOR
FLOOR STAND FOR IR1000
 MODEL NO: **IR1000ST.V2**

Thank you for purchasing a Sealey product. Manufactured to a high standard, this product will, if used according to these instructions, and properly maintained, give you years of trouble free performance.

IMPORTANT: PLEASE READ THESE INSTRUCTIONS CAREFULLY. NOTE THE SAFE OPERATIONAL REQUIREMENTS, WARNINGS & CAUTIONS. USE THE PRODUCT CORRECTLY AND WITH CARE FOR THE PURPOSE FOR WHICH IT IS INTENDED. FAILURE TO DO SO MAY CAUSE DAMAGE AND/OR PERSONAL INJURY AND WILL INVALIDATE THE WARRANTY. KEEP THESE INSTRUCTIONS SAFE FOR FUTURE USE.



Refer to instructions

1. SAFETY

- WARNING!** Ensure Health & Safety, local authority, and general workshop practice regulations are adhered to when using this stand.
 - ✓ Use the stand in a suitable work area.
 - ✓ Keep the work area clean, uncluttered and ensure there is adequate lighting.
 - ✗ **DO NOT** use the stand for any purpose other than that for which it is designed.
 - ✗ **DO NOT** leave unattended when in use with the panel heater.
 - ✗ **DO NOT** use stand on uneven ground.
 - ✗ **DO NOT** use stand if any part is significantly damaged.
 - ✓ Ensure the IR1000 lamp is securely fixed to the stand using the correct mounting bracket.
 - ✓ Keep children and unauthorised persons away from the work area.
- NOTE!** For further safety instructions regarding the correct and safe use of the panel dryer please see the instructions supplied with the IR1000 Infrared Short wave Panel Dryer.

2. INTRODUCTION

Sturdy 2100mm plated steel stand. Combines all the features of a flexible hand-held heater, with all the benefits of a free standing panel dryer. Full height 'slide and lock' heater bracket. Ideal for use on small repairs and drying jobs, for example engine drying, stripe removal, filler drying, stone chip repairs and preheating prior to spraying. Easy assembly and designed to suit Model No. IR1000 Hand-Held Infrared Panel Dryer.

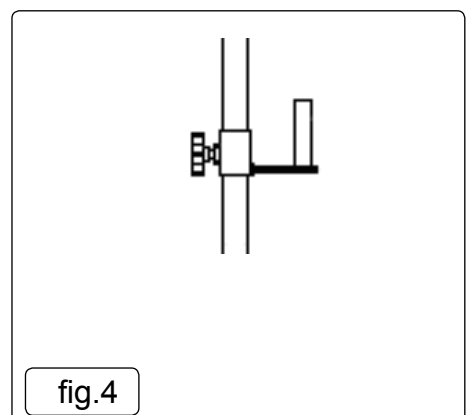
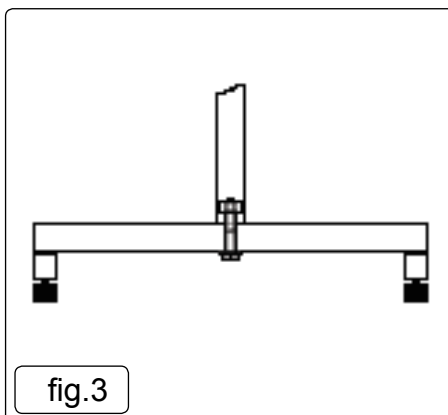
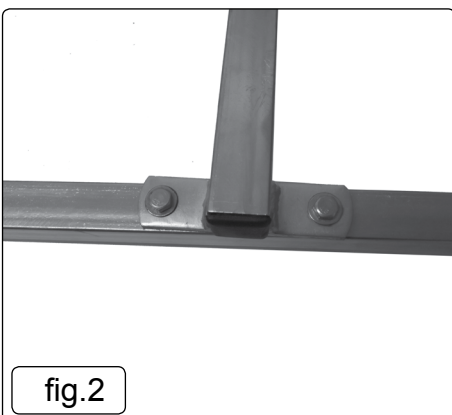
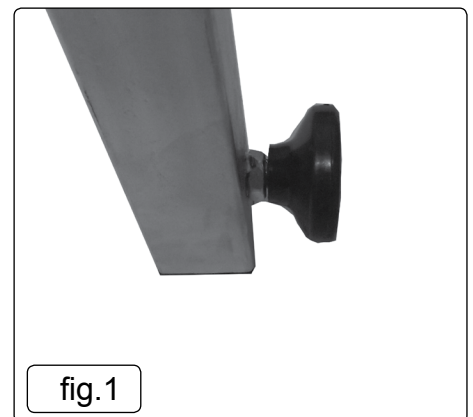
3. SPECIFICATION

Model No..... IR1000ST
 Maximum Lamp Height 2150mm

4. ASSEMBLY

Assemble stand according to the diagram/pictures below attached.

- 4.1. Screw the four foot pads into the legs as fig.1.
- 4.2. Bolt pole support to legs fig.2. using the four bolts washers and nuts supplied.
- 4.3. Screw the three upright sections together.
- 4.4. Using remaining bolt and washer fix the pole to the pole support fig.3.
- 4.5. Push in all tube end caps
- 4.6. Slide heater bracket on to pole and lock in place fig.4.
- 4.7. Stand complete fig.5.



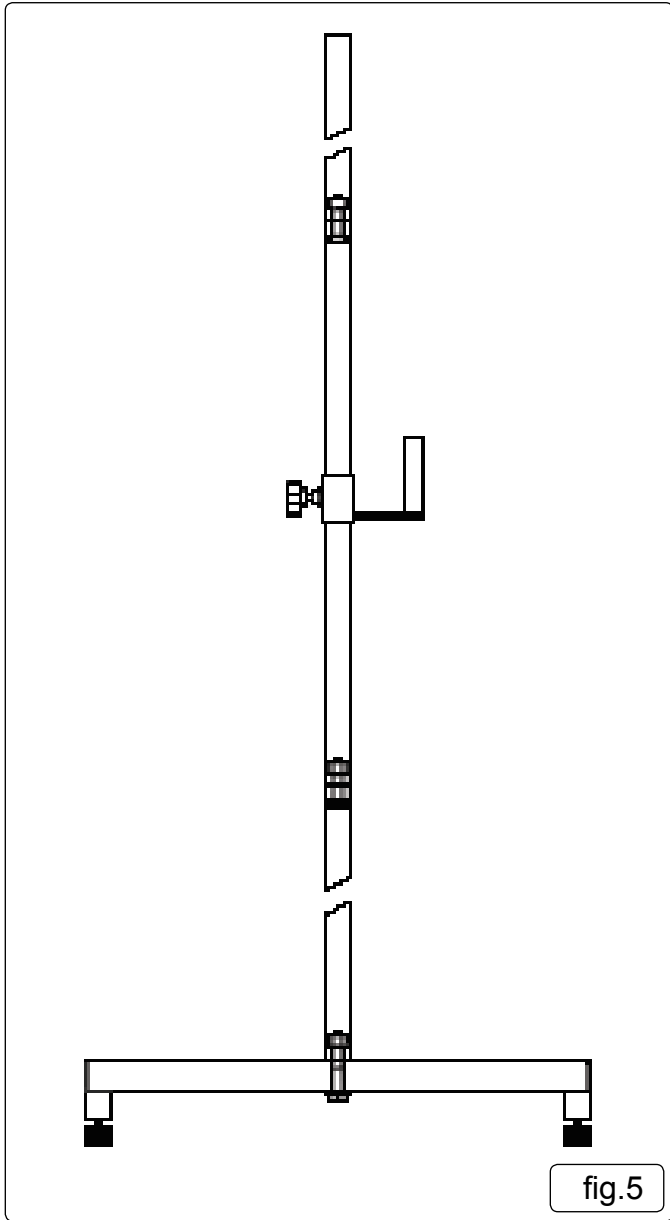


fig.5

Parts support is available for this product. To obtain a parts listing and/or diagram, please log on to www.sealey.co.uk, email sales@sealey.co.uk or telephone 01284 757500.



Environmental Protection

Recycle unwanted materials instead of disposing of them as waste. All tools, accessories and packaging should be sorted, taken to a recycling centre and disposed of in a manner which is compatible with the environment.

When the product becomes completely unserviceable and requires disposal, drain off any fluids (if applicable) into approved containers and dispose of the product and the fluids according to local regulations.

NOTE: It is our policy to continually improve products and as such we reserve the right to alter data, specifications and component parts without prior notice.

IMPORTANT: No liability is accepted for incorrect use of this product.

WARRANTY: Guarantee is 12 months from purchase date, proof of which will be required for any claim.



Sole UK Distributor, Sealey Group.
Kempson Way, Suffolk Business Park,
Bury St. Edmunds, Suffolk.
IP32 7AR



01284 757500



01284 703534



www.sealey.co.uk



sales@sealey.co.uk