

Thank you for purchasing a Sealey product. Manufactured to a high standard, this product will, if used according to these instructions, and properly maintained, give you years of trouble free performance.

IMPORTANT: PLEASE READ THESE INSTRUCTIONS CAREFULLY. NOTE THE SAFE OPERATIONAL REQUIREMENTS, WARNINGS & CAUTIONS. USE THE PRODUCT CORRECTLY AND WITH CARE FOR THE PURPOSE FOR WHICH IT IS INTENDED. FAILURE TO DO SO MAY CAUSE DAMAGE AND/OR PERSONAL INJURY AND WILL INVALIDATE THE WARRANTY. KEEP THESE INSTRUCTIONS SAFE FOR FUTURE USE.



Refer to
Instruction
Manual



Wear
Eye
Protection



Wear
Ear
Protection



Wear
Protective
Gloves



Charger:
Indoor
Use Only



Wear a
mask

1. SAFETY

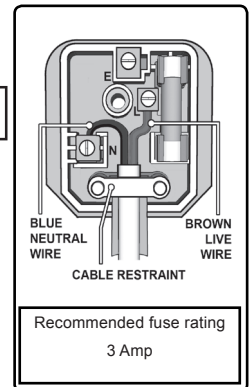
1.1. ELECTRICAL SAFETY

- ❑ **WARNING!** It is the user's responsibility to check the following:
Check all electrical equipment and appliances to ensure that they are safe before using. Inspect power supply leads, plugs and all electrical connections for wear and damage. Sealey recommend that an RCD (Residual Current Device) is used with all electrical products. You may obtain an RCD by contacting your local Sealey dealer.

If the polisher is used in the course of business duties, it must be maintained in a safe condition and routinely PAT (Portable Appliance Test) tested.

Electrical safety information. It is important that the following information is read and understood.

- 1.1.1. Ensure that the insulation on all cables and on the appliance is safe before connecting it to the power supply.
- 1.1.2. Regularly inspect power supply cables and plugs for wear or damage and check all connections to ensure that they are secure.
- 1.1.3. Important: Ensure that the voltage rating on the appliance suits the power supply to be used and that the plug is fitted with the correct fuse - see fuse rating in these instructions.
 - ✗ **DO NOT** pull or carry the appliance by the power cable.
 - ✗ **DO NOT** pull the plug from the socket by the cable. Remove the plug from the socket by maintaining a firm grip on the plug.
 - ✗ **DO NOT** use worn or damaged cables, plugs or connectors. Ensure that any faulty item is repaired or replaced immediately by a qualified electrician.
- 1.1.4. This product is fitted with a BS1363/A 13 Amp 3 pin plug.
- 1.1.5. If the cable or plug is damaged during use, switch the electricity supply and remove from use.
- 1.1.6. Replace a damaged plug with a BS1363/A 13 Amp 3 pin plug. If in doubt contact a qualified electrician.
- 1.1.7. Class II products are wired with live (brown) and neutral (blue) only are marked with the Class II symbol;
 - A) Connect the BROWN live wire to the live terminal 'L'.
 - B) Connect the BLUE neutral wire to the neutral terminal 'N'.
 - C) After wiring, check that there are no bare wires and ensure that all wires have been correctly connected. Ensure that the cable outer sheath extends inside the cable restraint and that the restraint is tight.
- ✗ **DO NOT** connect either wire to the earth terminal.
Sealey recommend that repairs are carried out by a qualified electrician.



1.2. BATTERY SAFETY

- ✓ Charge battery prior to first use. The battery pack will have been shipped in a low charge state.
- ✓ Use only the charger provided to charge the polisher battery.
- ✗ **DO NOT** charge battery when room temperature is below 50°F (10°C) or above 104°F (40°C).
- ✗ **DO NOT** attempt recharging the battery by means of a generator or a DC power source.
- ✗ **DO NOT** short-circuit the battery by linking both terminals with conductive materials.
- ✗ **DO NOT** store the battery (or wrench) in locations where the temperature may exceed 104°F (40°C).
- ▲ **DANGER! DO NOT** attempt to dismantle the battery pack. For safety and environmental reasons **DO NOT** discard in domestic waste or by burning. ONLY discard or recycle according to local authority regulations.
- ❑ **WARNING! DO NOT** allow a leaking battery to contact your person. If you come into contact with battery liquid take the following immediate action:
 - a) Skin contact: Wash immediately with soap and water, then wash flesh in either lemon juice or vinegar.
 - b) Eye contact: Wash with a strong solution of boric acid, and seek immediate medical attention.

1.3. BATTERY CHARGER SAFETY INSTRUCTIONS

- ❑ **WARNING: DO NOT** use the charger to charge any battery other than that supplied for the polisher. Other types of batteries may explode.
- 1.3.1. All mains electrical supply safety features must be followed as described in 1.1. above.
- 1.3.2. Disconnect the charger from the mains power supply when not in use.
Important: Check that the voltage marked on the charger is the same as the power supply to be used.
 - ✗ **DO NOT** pull or carry the charger by the power lead, or pull the plug from the mains socket by the power lead.
 - ✗ **DO NOT** use any other type of charger.

- x **DO NOT** try to open or dismantle the charger.
 - x **DO NOT** get the charger wet, or use in wet, damp conditions (for indoor use only).
 - x **DO NOT** operate the charger if it or the battery is damaged.
 - x **DO NOT** insert foreign objects or material into the hole reserved for the battery.
 - x **DO NOT** force the battery into the charger. The battery will only fit one way to ensure correct polarity alignment.
 - x **DO NOT** charge a second battery immediately. Consecutive charging will overheat the charger. Allow the unit to cool for 15 minutes before charging the next battery.
 - ✓ Store the charger in the same manner as the battery, see section 1.2.
- 1.4. **GENERAL SAFETY.**
- ✓ Maintain the polisher and battery in good condition. Check moving parts alignment on a regular basis.
 - ✓ Replace or repair damaged parts. Use an authorised service agent and recommended parts only. Unauthorised parts may be dangerous and will invalidate the warranty.
 - ✓ Ensure the polisher is switched off before installing the battery pack.
 - ✓ Keep the polisher and charger clean for best and safest performance.
 - ✓ Remove ill fitting clothing. Remove ties, watches, rings and other loose jewellery and contain long hair.
 - ✓ Ensure battery pack is correctly inserted into the polisher handle and latched in place before attempting to switch on polisher.
 - ✓ Secure loose work pieces with a clamp, vice or other adequate holding device.
 - ✓ Avoid unintentional starting.
 - ✓ Wear approved safety eye protection (standard spectacles are not adequate).
 - ✓ Maintain correct balance and footing. Ensure the floor is not slippery and wear non-slip shoes.
 - ✓ Keep children and unauthorised persons away from the working area.
 - x **DO NOT** use the polisher where there are flammable liquids, solids or gases, such as paint solvents, etc.
 - x **DO NOT** allow children to operate the polisher.
 - x **DO NOT** operate the polisher if any parts are missing as this may cause failure and/or personal injury.
 - x **DO NOT** hold unsecured work piece in your hand.
 - x **DO NOT** leave the polisher operating unattended.
 - x **DO NOT** carry the polisher with your finger on the power switch.
 - x **DO NOT** use the polisher for a task it is not designed to perform.
 - x **DO NOT** operate the polisher when you are tired or under the influence of alcohol, drugs or intoxicating medication.
 - x **DO NOT** get the polisher or battery charger wet or use in damp or wet locations.

2. INTRODUCTION

Features variable speed control giving a range suitable for sanding and polishing up to 3000rpm. Forward, reverse and trigger lock with soft grip handle for comfort and control. Locking swivel adjustment from pistol to straight type. Includes battery condition indicator. Supplied in canvas bag with 10.8V lithium-ion battery pack, battery charger and a range of polishing and sanding heads.

3. SPECIFICATION

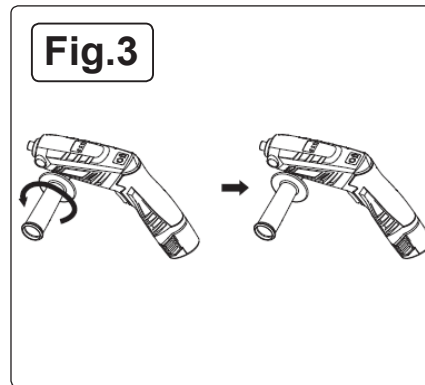
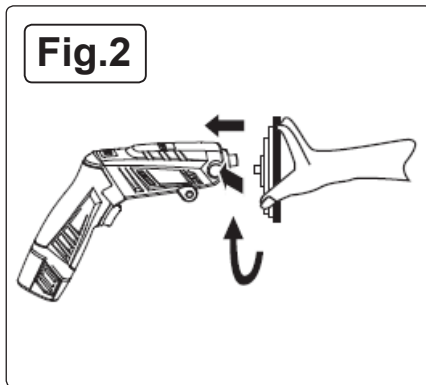
Model no: CP2812v
 Battery: 10.8V 1.5Ah Li-ion
 No load speed: 3000rpm
 Pad size: Ø75mm
 Thread size: 1/4"UNC
 Replacement battery pack: CP2812VBP

4. CONTENTS

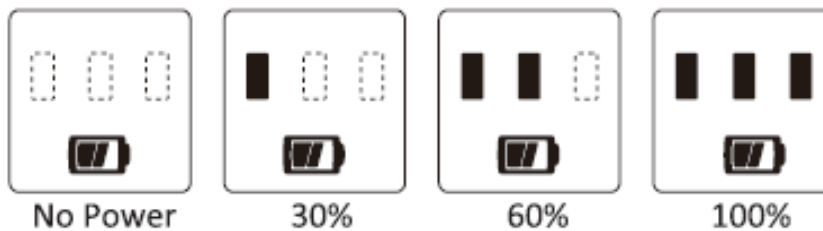


5. OPERATION

- 5.1. Variable speed switch: adjust speed by holding down the variable speed switch fig.1.4.
- 5.2. Rotation of the handle: press the button fig.1.8 whilst turning to the preferred orientation.
- 5.3. Installing the sanding pad: press the spindle lock button and wind the sanding pad on (clockwise) then tighten it, fig.2.
- 5.4. Fit side handle: screw into body in a clockwise direction, can be fitted to either side, fig.3.



- 5.5. Approximate run time remaining.



- 5.6. Installing/removing battery pack: remove by depressing battery pack release button, fig.1.6 and pull the battery pack out. Install by pushing the battery pack, fig.1.7 back onto the tool until it locks into place.
- 5.7. Battery charger operation:
Power on - green light
Charging - red light
Charged - green light
- 5.8. Accessories: only use Sealey recommended accessories and consumables.

6. MAINTENANCE

- WARNING!** unplug charger from the mains supply before cleaning it.
- 6.1. Regularly clean the charger using a soft brush or a dry cloth. **DO NOT** use any abrasive or solvent based cleaners.
 - 6.2. Store in a dry, clean childproof place.



WEEE REGULATIONS

Dispose of this product at the end of its working life in compliance with the EU Directive on Waste Electrical and Electronic Equipment (WEEE). When the product is no longer required, it must be disposed of in an environmentally protective way. Contact your local solid waste authority for recycling information.



ENVIRONMENT PROTECTION

Recycle unwanted materials instead of disposing of them as waste. All tools, accessories and packaging should be sorted, taken to a recycling centre and disposed of in a manner which is compatible with the environment. When the product becomes completely unserviceable and requires disposal, drain any fluids (if applicable) into approved containers and dispose of the product and fluids according to local regulations.



BATTERY REMOVAL

Under the Waste Batteries and Accumulators Regulations 2009, Jack Sealey Ltd are required to inform potential purchasers of products containing batteries (as defined within these regulations), that they are registered with Valpak's registered compliance scheme. Jack Sealey Ltd's Batteries Producer Registration Number (BPRN) is BPRN00705.

Note: It is our policy to continually improve products and as such we reserve the right to alter data, specifications and component parts without prior notice.

Important: No Liability is accepted for incorrect use of this product.

Warranty: Guarantee is 12 months from purchase date, proof of which is required for any claim.

Sealey Group, Kempson Way, Suffolk Business Park, Bury St Edmunds, Suffolk. IP32 7AR



01284 757500



01284 703534



sales@sealey.co.uk



www.sealey.co.uk