



INSTRUCTIONS FOR:
CORDLESS LITHIUM-ION SCREWDRIVER
QUICK SELECT 14pc 3.7V USB
 MODEL NO: **CP36MS**

Thank you for purchasing a Sealey product. Manufactured to a high standard, this product will, if used according to these instructions and maintained properly, give you years of trouble free performance.

IMPORTANT: PLEASE READ THESE INSTRUCTIONS CAREFULLY. NOTE THE SAFE OPERATIONAL REQUIREMENTS, WARNINGS & CAUTIONS. USE THE PRODUCT CORRECTLY AND WITH CARE FOR THE PURPOSE FOR WHICH IT IS INTENDED. FAILURE TO DO SO MAY CAUSE DAMAGE AND/OR PERSONAL INJURY AND WILL INVALIDATE THE WARRANTY. KEEP THESE INSTRUCTIONS SAFE FOR FUTURE USE.



Refer to Instruction Manual



Wear Eye Protection

1. SAFETY

1.1. GENERAL SAFETY

- ✓ Maintain the screwdriver in good condition. Check moving parts alignment on a regular basis.
- ✓ Keep the screwdriver clean for best and safest performance.
- ✓ Remove ill fitting clothing. Remove ties, watches, rings and other loose jewellery and contain long hair.
- ✓ Secure loose workpieces with a clamp, vice or other adequate holding device.
- ✓ Avoid unintentional starting.
- ✓ Wear approved safety eye protection.
- ✓ Maintain correct balance and footing. Ensure the floor is not slippery and wear non-slip shoes.
- ✓ Keep children and unauthorised persons away from the working area.
- x **DO NOT** allow children to operate the screwdriver.
- x **DO NOT** hold unsecured workpiece in your hand.
- x **DO NOT** carry the screwdriver with your finger on the trigger.
- x **DO NOT** use the screwdriver for a task it is not designed for.
- x **DO NOT** operate the screwdriver when you are tired or under the influence of alcohol, drugs or intoxicating medication.
- x **DO NOT** get the screwdriver wet or use in damp or wet locations.
- ✓ Keep screwdriver in a safe, dry, child proof area where the temperature will not exceed 104°F (40°C).

1.2. BATTERY SAFETY

- ☐ **WARNING!** To reduce the risk of burns or fire:
- x **DO NOT** attempt to open, dismantle, modify or service the battery pack.
- x **DO NOT** crush, puncture, short external contacts or dispose of in fire or water.
- x **DO NOT** expose to temperatures above 60°C (140°).

2. INTRODUCTION

Compact, lightweight and comfortable to use. Quick bit selection combined with six bit magazine storage system means choosing the right bit couldn't be easier. Forward, reverse and trigger-lock with soft grip handle. Features LED work light and three colour battery indicator. supplied with 12 bits in USB charging cable.

3. SPECIFICATION

Model No:	CP36MS
Battery:	3.7V 1.3Ah Li-ion
No Load Speed:	0-230rpm
Maximum Torque:	4.5Nm
Charging Time:	3-5hr
Contents:	Screwdriver Bits; Slotted - 3, 4, 5mm, Philips - #1, #2, #3, Pozi - #1, #2, #3, TRX-Star* - T10, T15, T20



4. OPERATION

4.1. CHARGING

- 4.1.1. Plug the USB lead into the micro USB port (fig.1).
- 4.1.2. Connect the USB lead into a 5V dc outlet.
- 4.1.3. When charging commences, the charge indicator will light.
- 4.1.4. As the charge builds, the LEDs will light in sequence until the green shows, denoting a full charge. The amber LED represents mid-charge.
- 4.1.5. When fully charged, remove the USB lead from the screwdriver and the power outlet.

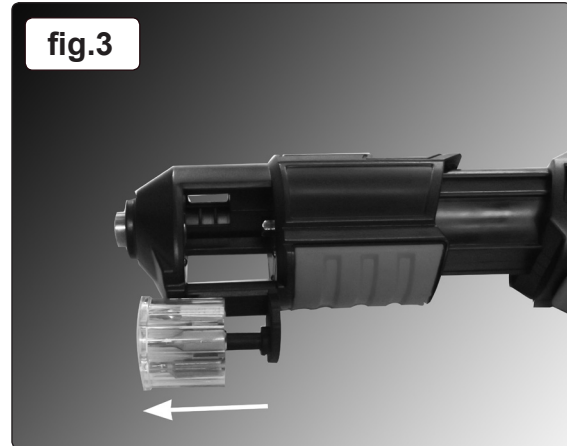
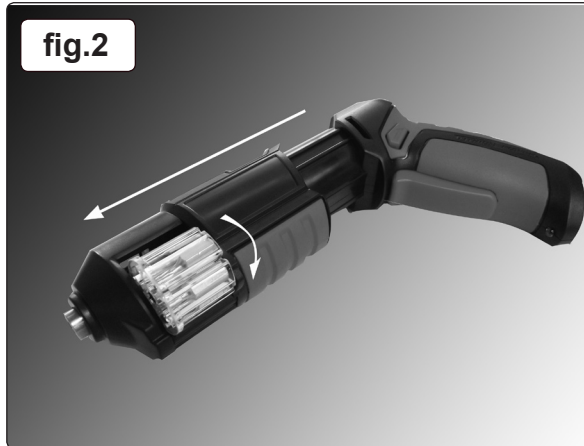
4.2. Charge level

- 4.2.1. When the tool is operated, the display shows the charge level: full charge is shown by all three LEDs being lit. The number of lit LEDs reduces with the charge level. When just the red shows, the tool requires recharging as in section 4.1.

4.3. Operation

- 4.3.1. Pressing the trigger (fig.1) will actuate the screwdriver. Sliding the forward /reverse selector will change the direction of rotation.
- 4.3.2. Pressing the trigger will also switch the LED worklight on.

4.4. Changing bits



- 4.4.1. The CP36MS is supplied with two magazines containing screwdriver bits. To change a bit which is contained in the fitted magazine, pull the magazine carrier forward (fig.2) and rotate the magazine until the required bit is at the top. The bit to be loaded may be viewed through the magazine viewer.
- 4.4.2. To load the chosen bit, pull the magazine carrier back toward the handle.
- 4.4.3. To change the magazine, pull the magazine carrier forward and push the magazine to the left until it hangs below the screwdriver then pull the magazine forward until released from the spindle (fig.3).
- 4.4.4. Place the alternative magazine on the spindle and swing it back into the magazine carrier.
- 4.4.5. Push the magazine carrier back as in 4.4.2.

! Important Warranty Information

The battery fitted to this cordless tool is considered to be a consumable item and its ability to accept charge will diminish over time. Our warranty will cover genuine battery malfunction, but not fair wear and tear, for a period of 12 months.

Parts support is available for this product. To obtain a parts listing and/or diagram, please log on to www.sealey.co.uk, email sales@sealey.co.uk or telephone 01284 757500.

Environmental Protection



Recycle unwanted materials instead of disposing of them as waste. All tools, accessories and packaging should be sorted, taken to a recycling centre and disposed of in a manner which is compatible with the environment. When the product becomes completely unserviceable and requires disposal, dispose of it according to local regulations.

NOTE: It is our policy to improve products continually and as such we reserve the right to alter data, specifications and component parts without prior notice.

IMPORTANT: No liability is accepted for incorrect use of this product.

WARRANTY: Guarantee is 12 months from purchase date, proof of which will be required for any claim.



Sole UK Distributor, Sealey Group,
Kempson Way, Suffolk Business Park,
Bury St. Edmunds, Suffolk,
IP32 7AR



01284 757500



01284 703534



www.sealey.co.uk



sales@sealey.co.uk

WARNING! – Risk of Hand Arm Vibration Injury.

This tool may cause Hand Arm Vibration Syndrome if its use is not managed adequately.

This tool is subject to the vibration testing section of the Machinery Directive 2006/42/EC.

This tool is to be operated in accordance with these instructions.

Measured vibration emission value (a): 0.22m/s²

Uncertainty value (k): 1.5m/s²

Please note that the application of the tool to a sole specialist task may produce a different average vibration emission. We recommend that a specific evaluation of the vibration emission is conducted prior to commencing with a specialist task.

A health and safety assessment by the user (or employer) will need to be carried out to determine the suitable duration of use for each tool.

NB: Stated Vibration Emission values are type-test values and are intended to be typical.

Whilst in use, the actual value will vary considerably from and depend on many factors.

Such factors include; the operator, the task and the inserted tool or consumable.

NB: ensure that the length of leader hoses is sufficient to allow unrestricted use, as this also helps to reduce vibration.

The state of maintenance of the tool itself is also an important factor, a poorly maintained tool will also increase the risk of Hand Arm Vibration Syndrome.

Health surveillance.

We recommend a programme of health surveillance to detect early symptoms of vibration injury so that management procedures can be modified accordingly.

Personal protective equipment.

We are not aware of any personal protective equipment (PPE) that provides protection against vibration injury that may result from the uncontrolled use of this tool. We recommend a sufficient supply of clothing (including gloves) to enable the operator to remain warm and dry and maintain good blood circulation in fingers etc. Please note that the most effective protection is prevention, please refer to the Correct Use and Maintenance section in these instructions. Guidance relating to the management of hand arm vibration can be found on the HSE website www.hse.gov.uk - Hand-Arm Vibration at Work.