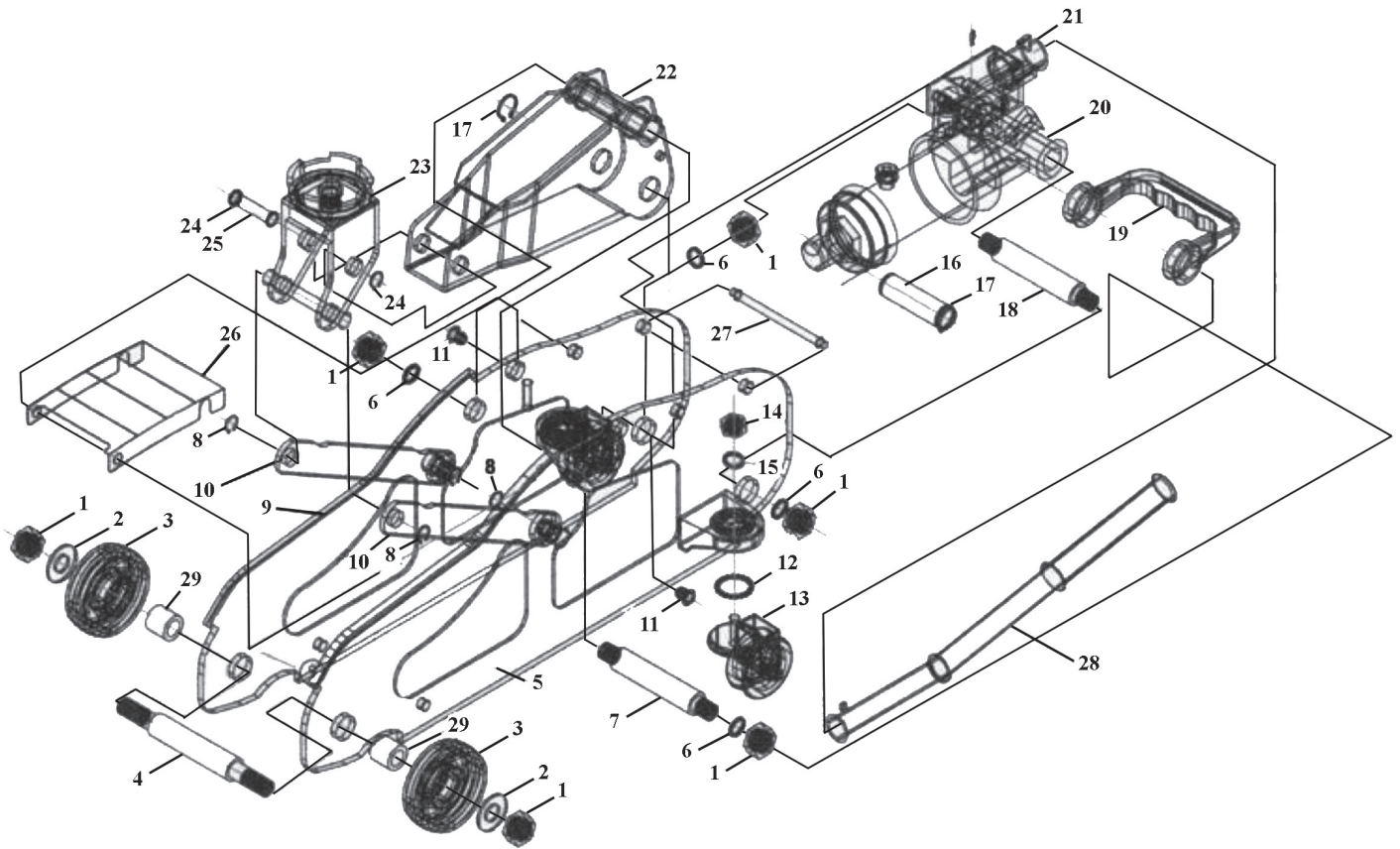


Parts Information:
Trolley Jack 2tonne Low Entry Short Chassis
Model No: 1050CXLE.V2



Item	Part No.	Description
1	SN12.S	STEEL NUT M12 ZINC DIN934(SINGLE)
2	FWM12.S	FLAT WASHER M12 SINGLE
3	1050CXLE.03	WHEEL,FRONT FIXED (65x19x21)
4	1050CXLE.04	FRONT WHEEL SHAFT
5	1050CXLE.05	SIDE MEMBER, LEFT
6	SWM12.S	SPRING WASHER M12 ZINC (SINGLE)
7	1050CXLE.07	SUPPORT SHAFT
8	1050CXLE.08	SNAP RING 'C'
9	1050CXLE.09	SIDE MEMBER, RIGHT
10	1050CXLE.10	RADIUS LINK
11	1050CXLE.11	SIDE PLATE SCREW
12	1050CXLE.12	STEEL BALL
13	1050CX.V3-24	WHEEL,BLACK CASTOR (40x9x17x51)
14	1050CXLE.14	NUT
15	SWM8.S	SPRING WASHER M8 ZINC (SINGLE)

Item	Part No.	Description
16	1050CXLE.16	PISTON ROD SHAFT
17	1050CXLE.17	SNAP RING 'C'
18	1050CXLE.18	BASE SHAFT
19	1050CXLEV2.19	CARRYING HANDLE (BLACK)
20	1050CXLEV2.20	POWER UNIT ASS'Y (BLACK)
21	1050CXLEV2.21	HANDLE SOCKET (BLACK)
22	1050CXLE.22	LIFTING ARM UNIT
23	1050CXLEV2.23	SADDLE UNIT (WHITE)
24	1050CXLE.24	SNAP RING 'C'
25	1050CXLE.25	LIFTING ARM SHAFT
26	1050CXLE.26	COVER PLATE
27	1050CXLE.27	SUPPORT SHAFT
28	1050CXLEV2.28	HANDLE (WHITE)
29	1050CXLE.29	WHEEL BUSH

NOTE: It is our policy to continually improve products and as such we reserve the right to alter data, specifications and component parts without prior notice.

IMPORTANT: No liability is accepted for incorrect use of product.

WARRANTY: Guarantee is 12 months from purchase date, proof of which will be required for any claim.