

Issue: 1  
Issue Date: 300709

ITEM	PART NO	DESCRIPTION	ITEM	PART NO	DESCRIPTION	ITEM	PART NO	DESCRIPTION
1	HFC08.V2-01	CONNECTION	17	HFC08.V2-17	AIR PIPE 5 (8*500mm)	33	HFC08.V2-33	WASHER 12
2	HFC08.V2-02	REGULATOR WITH FILTER	18	HFC08.V2-18	DRAIN HOSE	34	HFC08.V2-34	SPRING WASHER M12
3	HFC08.V2-03	SPRING WASHER	19	HFC08.V2-19	CLAMP	35	HFC08.V2-35	PISTON ROD ASS'Y
4	HFC08.V2-04	SCREW (M5*10)	20	HFC08.V2-20	CRUSHER PLATE ASS'Y	36	HFC08.V2-36	O-RING (300*5)
5	HFC08.V2-05	ELBOW CONNECTOR	21	HFC08.V2-21	WASHER 4	37	HFC08.V2-37	GUIDE RING
6	HFC08.V2-06	AIR PIPE 1~ (8*280mm)	22	HFC08.V2-22	NUT M4	38	HFC08.V2-38	SEAL RING
7	HFC08.V2-07	AIR SWITCH ROD	23	HFC08.V2-23	PERSPEX SCREEN	39	HFC08.V2-39	PLATE ASS'Y
8	HFC08.V2-08	AIR SWITCH	24	HFC08.V2-24	DOOR	40	HFC08.V2-40	SPRING WASHER M10
9	HFC08.V2-09	SCREW (M4*22)	25	HFC08.V2-25	SCREW (M4*10)	41	HFC08.V2-41	BOLT (M10*22)
10	HFC08.V2-10	AIR PIPE 2~ (8*235mm)	26	HFC08.V2-26	LOCK ASS'Y	42	HFC08.V2-42	AIR CYLINDER
11	HFC08.V2-11	SCREW M5*30	27	HFC08.V2-27	SUPPORT FRAME ASS'Y	43	HFC08.V2-43	UPPER COVER ASS'Y
12	HFC08.V2-12	MUFFLER (1/4")	28	HFC08.V2-28	GUIDE RING	44	HFC08.V2-44	SAFETY VALVE
13	HFC08.V2-13	AIR PIPE 3 (8*250mm)	29	HFC08.V2-29	O-RING (60*3.1)	45	HFC08.V2-45	CONNECTOR (1/4")
14	HFC08.V2-14	AIR PIPE 4 (8*220mm)	30	HFC08.V2-30	O-RING (300*3.1)	46	HFC08.V2-46	CONTROL VALVE
15	HFC08.V2-15	QUICK VENT VALVE	31	HFC08.V2-31	NUT (M12)	47	HFC08.V2-47	COMPLETE STAND
16	HFC08.V2-16	MUFFLER (3/8")	32	HFC08.V2-32	SHAFT FOR CYLINDER			(not shown)

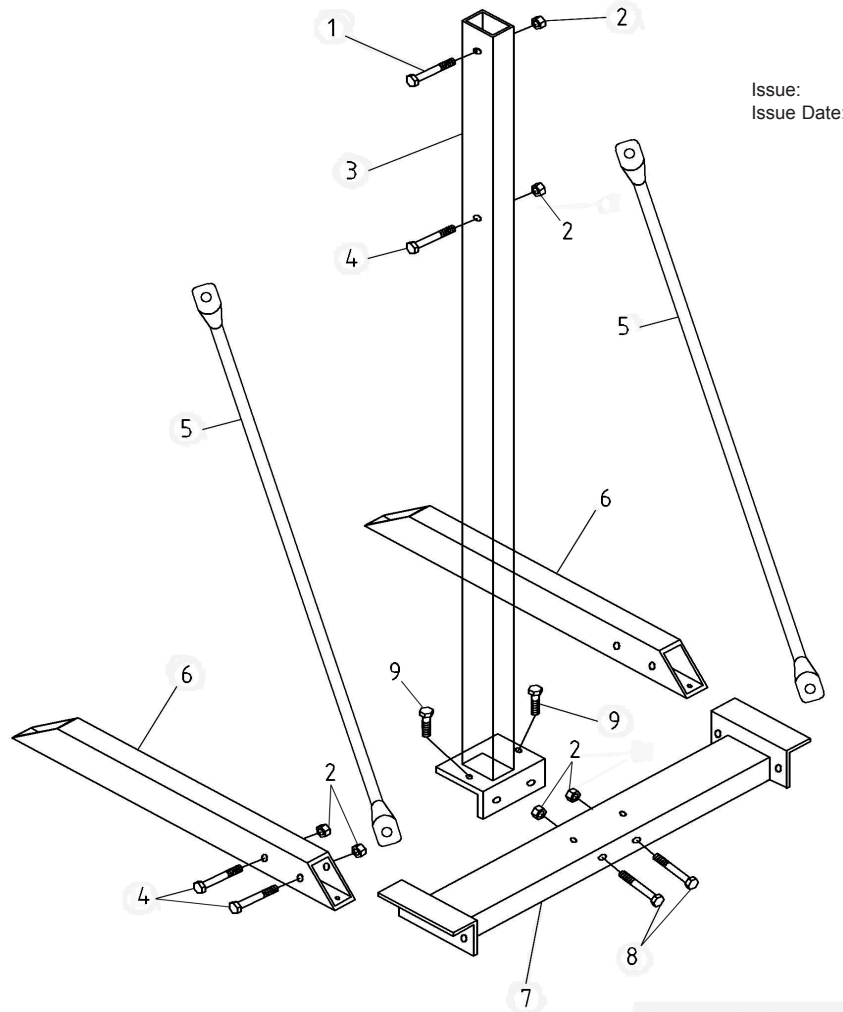
**NOTE:** It is our policy to continually improve products and as such we reserve the right to alter data, specifications and component parts without prior notice.

**IMPORTANT:** No liability is accepted for incorrect use of product.

**WARRANTY:** Guarantee is 12 months from purchase date, proof of which will be required for any claim.

**INFORMATION:** For a copy of our latest catalogue and promotions call us on 01284 757525 and leave your full name and address, including postcode.

**STAND ASSEMBLY**



Issue: 1  
 Issue Date: 300709

ITEM	PART NO	DESCRIPTION
S1	HFC08.V2-S1	BOLT M12*85
S2	HFC08.V2-S2	LOCK NUT M12
S3	HFC08.V2-S3	UPRIGHT ASS'Y
S4	HFC08.V2-S4	BOLT M12*65
S5	HFC08.V2-S5	SUPPORT BAR
S6	HFC08.V2-S6	LEG
S7	HFC08.V2-S7	BASE ASS'Y
S8	HFC08.V2-S8	BOLT M12*110
S9	HFC08.V2-S9	BOLT M8*20

**NOTE:** It is our policy to continually improve products and as such we reserve the right to alter data, specifications and component parts without prior notice.

**IMPORTANT:** No liability is accepted for incorrect use of product.

**WARRANTY:** Guarantee is 12 months from purchase date, proof of which will be required for any claim.

**INFORMATION:** For a copy of our latest catalogue and promotions call us on 01284 757525 and leave your full name and address, including postcode.