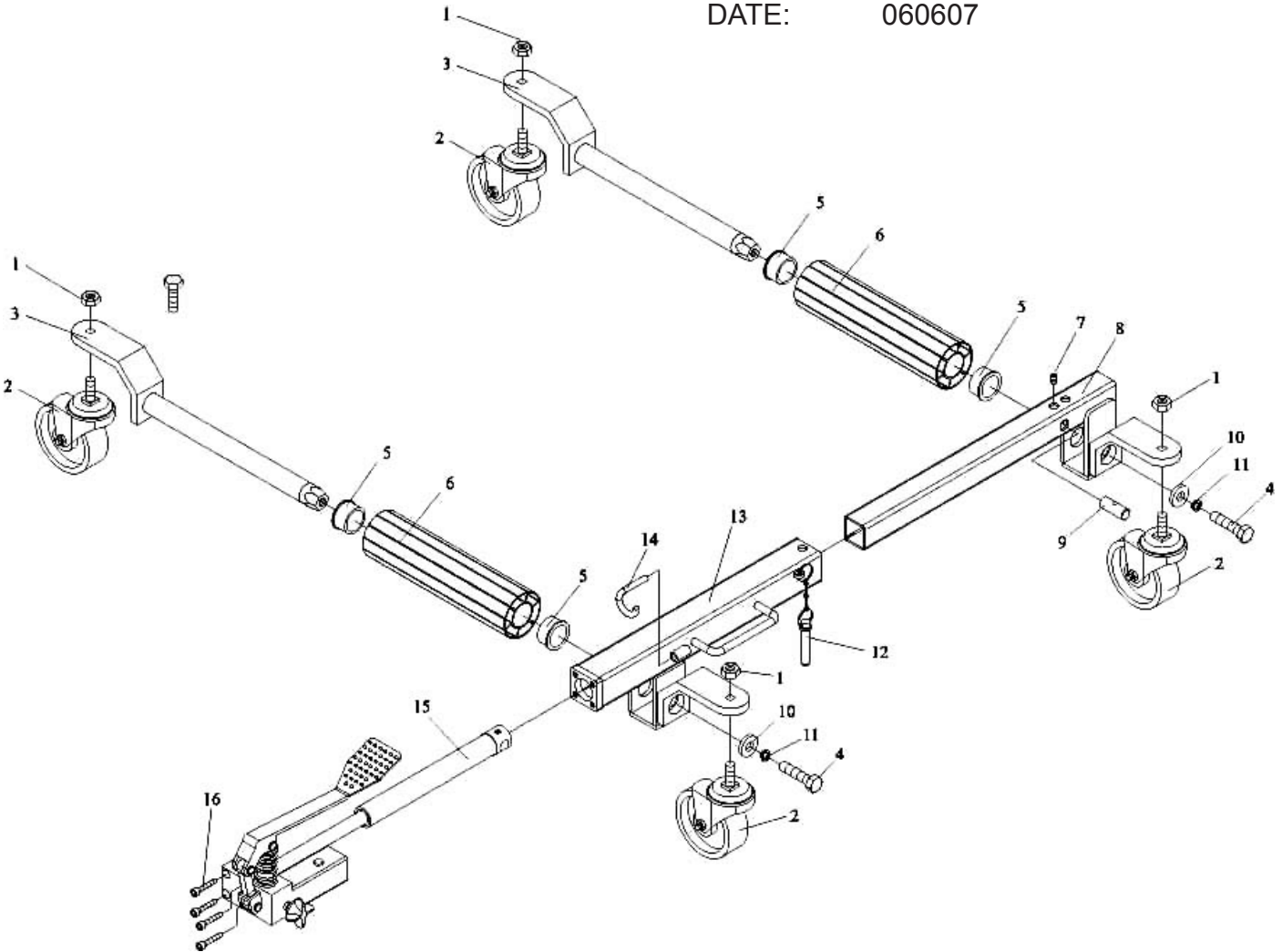
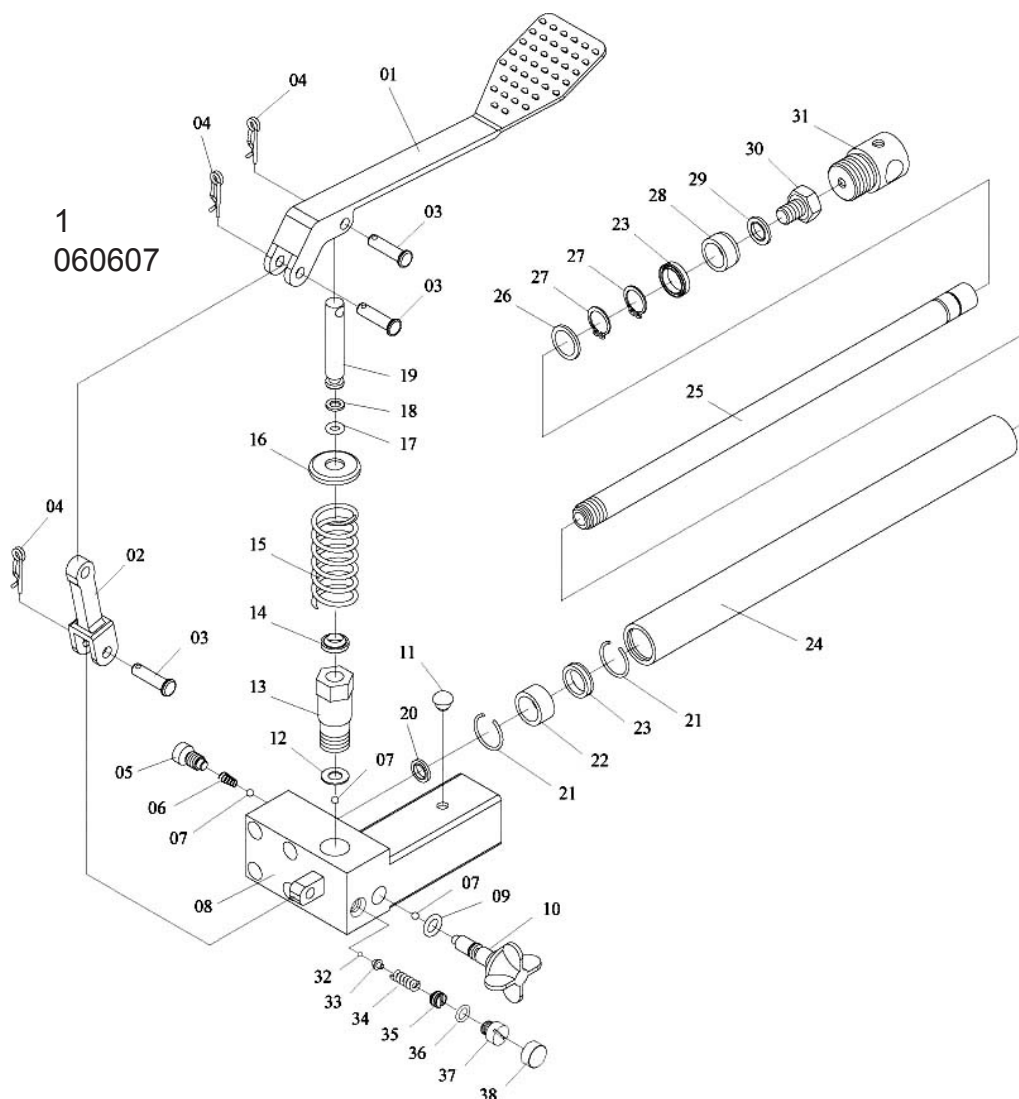


ISSUE: 1  
 DATE: 060607



ITEM	PART NO	DESCRIPTION	ITEM	PART NO	DESCRIPTION
1	WS680.01	LOCK NUT	9	WS680.09	PIN
2	WS680.02	CASTER	10	WS680.10	WASHER
3	WS680.03	ROD ASSEMBLY	11	WS680.11	LOCK WASHER
4	WS680.04	BOLT	12	WS680.12	LOCK PIN
5	WS680.05	ROLLER RACEWAY(NYLON)	13	WS680.13	OUTER BODY & AXLE ASSY
6	WS680.06	ROLLER(ALUMINIUM)	14	WS680.14	PEDAL LOCK ASSY
7	WS680.07	SCREW	15	WS680.15	HYDRAULIC UNIT
8	WS680.08	INNER BODY & AXLE ASSY	16	WS680.16	HEX BOLT

ISSUE: 1  
 DATE: 060607



ITEM	PART NO	DESCRIPTION
1	WS680.J01	FOOT PEDAL
2	WS680.J02	CONNECTOR
3	WS680.J03	PIN
4	WS680.J04	R-PIN
5	WS680.J05	SCREW
6	WS680.J06	SPRING
7	WS680.J07	BALL
8	WS680.J08	PUMP BODY
9	WS680.J09	O-RING
10	WS680.J10	RELEASE VALVE
11	WS680.J11	OIL PLUG
12	WS680.J12	NYLON RING
13	WS680.J13	PUMP CYLINDER
14	WS680.J14	DUST COVER
15	WS680.J15	SPRING
16	WS680.J16	SPRING COVER
17	WS680.J17	O-RING
18	WS680.J18	NYLON RING
19	WS680.J19	PISTON

ITEM	PART NO	DESCRIPTION
20	WS680.J20	SEAL RING
21	WS680.J21	CIRCLIP
22	WS680.J22	BUSHING
23	WS680.J23	SEAL RING
24	WS680.J24	CYLINDER
25	WS680.J25	RAM
26	WS680.J26	CIRCLIP
27	WS680.J27	CIRCLIP
28	WS680.J28	BUSHING
29	WS680.J29	SEAL RING
30	WS680.J30	SCREW
31	WS680.J31	CONNECTING BASE
32	WS680.J32	BALL
33	WS680.J33	BALL CAP
34	WS680.J34	SPRING
35	WS680.J35	SCREW
36	WS680.J36	O-RING
37	WS680.J37	SCREW
38	WS680.J38	PLASTIC CAP