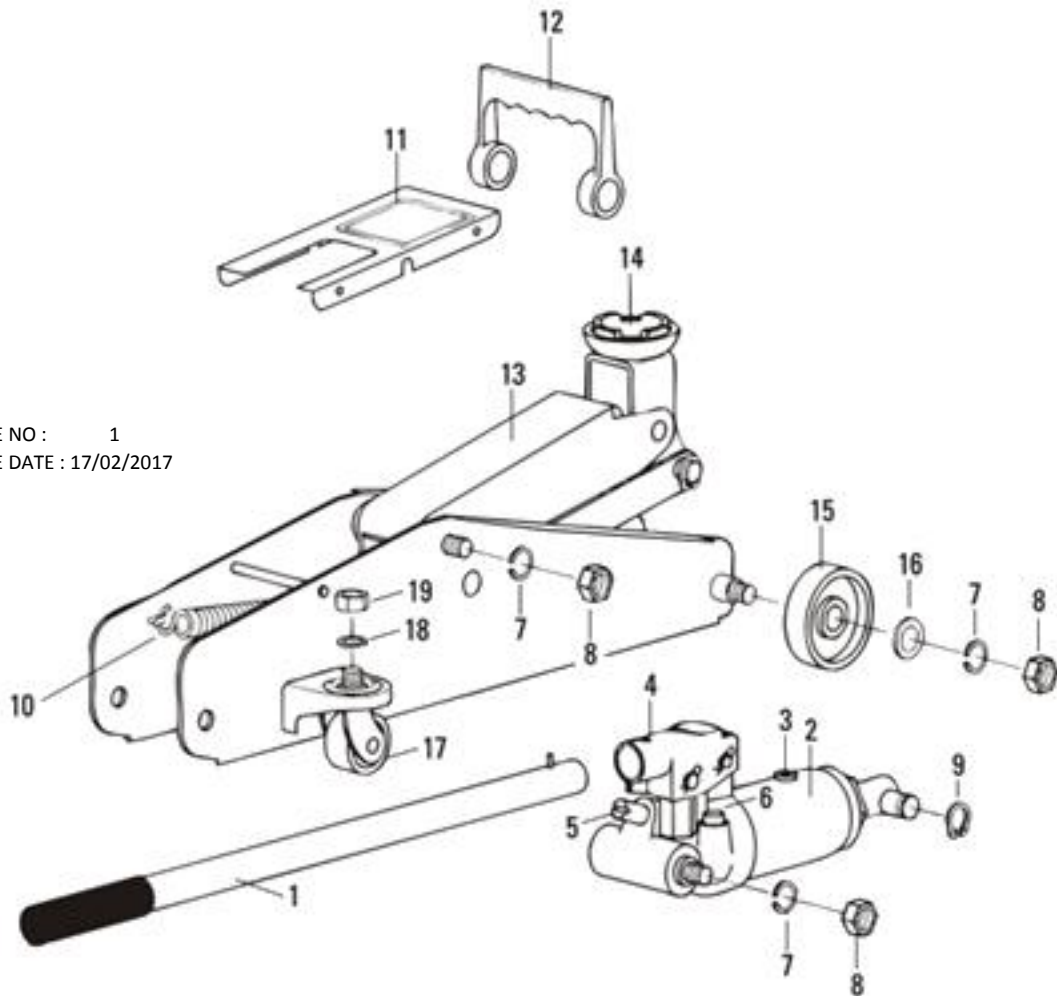




PARTS FOR :
 TROLLEY JACK 2tonne SHORT CHASSIS
 TROLLEY JACK 2tonne SHORT CHASSIS with STORAGE CASE
MODELS: 1050CX.V4 & 1050CXD.V3

ISSUE NO : 1
 ISSUE DATE : 17/02/2017



| ITEM | PART NO | DESCRIPTION | ITEM | PART NO | DESCRIPTION |
|------|--------------|-------------------|------|--------------|-------------------------------|
| 1 | 1050CX.V4-01 | HANDLE COMPLETE | 11 | 1050CX.V4-11 | COVER PLATE |
| 2 | 1050CX.V4-02 | HYDRAULIC RAM | 12 | 1050CX.V4-12 | CARRY HANDLE |
| 3 | 1050CX.V4-03 | OIL FILLER PLUG | 13 | 1050CX.V4-13 | LIFTING ARM |
| 4 | 1050CX.V4-04 | HANDLE BRACKET | 14 | 1050CX.V4-14 | SADDLE |
| 5 | 1050CX.V4-05 | RELEASE VALVE | 15 | 1050CX.V4-15 | WHEEL |
| 6 | 1050CX.V4-06 | OVERLOAD VALVE | 16 | 1050CX.V4-16 | FLAT WASHER |
| 7 | SWM12.S | SPRING WASHER M12 | 17 | 1050CX.V4-17 | CASTOR |
| 8 | SN12.S | NUT M12 | 18 | SWM8.S | SPRING WASHER M8 |
| 9 | 1050CX.V4-09 | SNAP RING "C" | 19 | SN8.S | NUT M8 |
| 10 | 1050CX.V4-10 | SPRING | -- | 1050CXD.V3-C | BLOW MOULDED CASE (not shown) |



Sole UK Distributor, Sealey Group.
 Kempson Way, Suffolk Business Park,
 Bury St. Edmunds, Suffolk.
 IP32 7AR

01284 757500
 01284 703534

www.sealey.co.uk
 sales@sealey.co.uk