



INSTRUCTIONS FOR
FOLDING BUMPER / PANEL STAND
MODEL NO: **MK54.V2**

Thank you for purchasing a Sealey product. Manufactured to a high standard, this product will, if used according to these instructions, and properly maintained, give you years of trouble free performance.

IMPORTANT: PLEASE READ THESE INSTRUCTIONS CAREFULLY. NOTE THE SAFE OPERATIONAL REQUIREMENTS, WARNINGS & CAUTIONS. USE THE PRODUCT CORRECTLY AND WITH CARE FOR THE PURPOSE FOR WHICH IT IS INTENDED. FAILURE TO DO SO MAY CAUSE DAMAGE AND/OR PERSONAL INJURY AND WILL INVALIDATE THE WARRANTY. KEEP THESE INSTRUCTIONS SAFE FOR FUTURE USE.



Refer to instructions

1. SAFETY

- ✓ Familiarise yourself with the application, limitations and hazards of the panel stand.
- ✓ Maintain the panel stand in good condition (use authorised replacement parts).
- ✓ Keep the panel stand clean for best and safest performance.
- ✓ Locate the panel stand in a suitable work area.
- WARNING!** Use the panel stand on level and solid ground, preferably concrete.
- ✗ **DO NOT** overload the panel stand.
- ✗ **DO NOT** climb on the panel stand.
- ✗ **DO NOT** use the panel stand for any purpose other than for which it is designed.
- ✗ **DO NOT** use the panel stand if any parts are damaged or missing as this may cause failure and/or personal injury.
- ✓ Keep the work area clean, uncluttered and ensure that there is adequate lighting.
- ✓ Keep children and unauthorised persons away from the work area.
- WARNING!** The warnings, cautions and instructions discussed in this manual cannot cover all possible conditions and situations that may occur. It must be understood that common sense and caution are factors which cannot be built into this product, but must be applied by the operator.

2. INTRODUCTION

Ideal for storage of bumpers prior to preparation and spraying. Adjustable stand width with extendable arms makes this unit suitable for holding various types and styles of bumpers. Folds away for easy storage whilst not in use.

3.

Model No..... MK54.V2
Maximum Width
Arms Closed 890mm
Arms Fully Extended 2000mm
Folded Height..... 1140mm

4. ASSEMBLY

- 4.1. Push rubber caps (8 of) on to ends of tubes as shown.
- 4.2. Slide legs into panel supports and fix together using bolt placing washer between the two frames fig.1.1.
- 4.3. Ensure the holes in frame are in the correct position fig.1
- 4.4. Attach hook bolts and chain as shown fig1.2.
- 4.5. Bolt the angle adjustment plates fig1.3 in place with the nuts/bolts and the knobs as shown in fig.1.
- 4.6. Slide the extendable support arms into the tubes attached to the angle adjustment plates. Screw in knobs to hold in place.
- 4.7. Panel stand can be folded up when not in use for ease of storage.
 - WARNING!** Take care not to trap fingers.

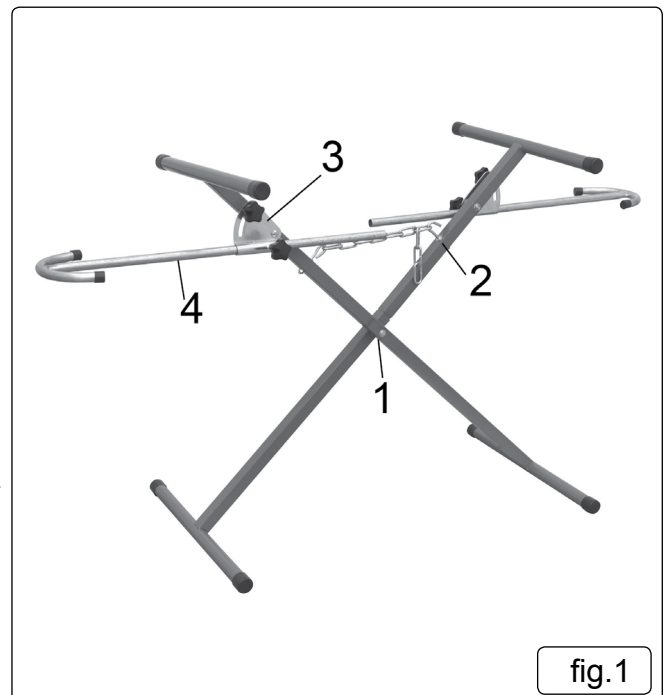


fig.1



Environmental Protection

Recycle unwanted materials instead of disposing of them as waste. All tools, accessories and packaging should be sorted, taken to a recycling centre and disposed of in a manner which is compatible with the environment. When the product becomes completely unserviceable and requires disposal, drain off any fluids (if applicable) into approved containers and dispose of the product and the fluids according to local regulations.

NOTE: It is our policy to continually improve products and as such we reserve the right to alter data, specifications and component parts without prior notice.

IMPORTANT: No liability is accepted for incorrect use of this product.

WARRANTY: Guarantee is 12 months from purchase date, proof of which will be required for any claim.



Sole UK Distributor, Sealey Group.
Kempson Way, Suffolk Business Park,
Bury St. Edmunds, Suffolk.
IP32 7AR



01284 757500



01284 703534



www.sealey.co.uk



sales@sealey.co.uk