



# INSTRUCTIONS FOR: FRONT AXLE UPPER BALL JOINT EXTRACTOR/INSTALLER - VW T4

MODEL NO: **VSE725.V2**

Thank you for purchasing a Sealey product. Manufactured to a high standard, this product will, if used according to these instructions and maintained properly, give you years of trouble free performance.

**IMPORTANT:** PLEASE READ THESE INSTRUCTIONS CAREFULLY. NOTE THE SAFE OPERATIONAL REQUIREMENTS, WARNINGS & CAUTIONS. USE THE PRODUCT CORRECTLY AND WITH CARE FOR THE PURPOSE FOR WHICH IT IS INTENDED. FAILURE TO DO SO MAY CAUSE DAMAGE AND/OR PERSONAL INJURY AND WILL INVALIDATE THE WARRANTY. KEEP THESE INSTRUCTIONS SAFE FOR FUTURE USE.



Refer to instruction manual



Wear eye protection

## 1. SAFETY

☐ **WARNING!** Ensure Health and Safety, local authority and general workshop practice regulations are adhered to when using tools.

- ✓ Maintain the tool components in good and clean condition for best and safest performance.
- ✓ Ensure that a vehicle which has been jacked up is adequately supported with axle stands.
- ✓ Wear approved eye protection. A full range of personal safety equipment is available from your Sealey stockist.
- ✓ Wear suitable clothing to avoid snagging. **DO NOT** wear jewellery and tie back long hair.
- ✓ Keep children and other unauthorised persons away from the working area.
- ✓ Ensure there is adequate lighting prior to using the ball joint replacement tool.
- ✗ **DO NOT** use the kit if any parts are missing or damaged.
- ✗ **DO NOT** use the ball joint replacement tool for any purpose other than that for which it is designed.

**IMPORTANT:** These instructions are intended as a guide only. Always refer to the vehicle manufacturer's service instructions or a proprietary manual to establish the current procedure.

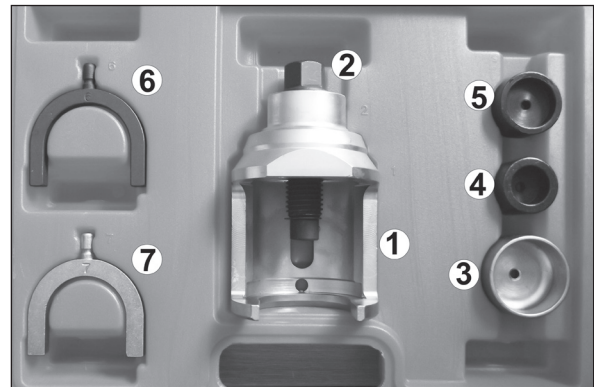
## 2. INTRODUCTION

Suitable for removing and installing the upper front ball joint on-vehicle without the need to disassemble. Features a variety of adaptors used in different combinations for extracting and installing, see below. Supplied in a carry-case with each part numbered for simple selection.

## 3. APPLICATIONS

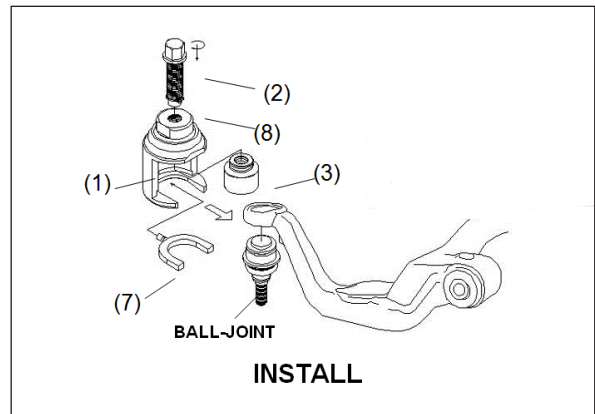
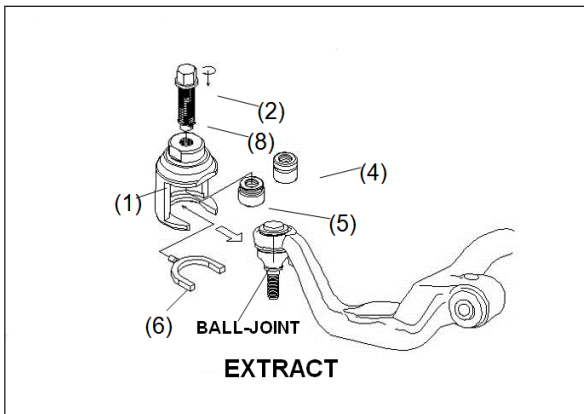
Model No: ..... **VSE725.V2**  
Applications: ..... VW: T4 2000cc, T4 2500cc

## 4. CONTENTS



## 5. OPERATION

Clean and lubricate the thrust screw with grease before use



### Environmental Protection



Recycle unwanted materials instead of disposing of them as waste. All tools, accessories and packaging should be sorted, taken to a recycling centre and disposed of in a manner which is compatible with the environment. When the product becomes completely unserviceable and requires disposal of it according to local regulations.

**NOTE:** It is our policy to improve products continually and as such we reserve the right to alter data, specifications and component parts without prior notice.

**IMPORTANT:** No liability is accepted for incorrect use of this product.

**WARRANTY:** Guarantee is 12 months from purchase date, proof of which will be required for any claim.



**Sole UK Distributor, Sealey Group,**  
Kempson Way, Suffolk Business Park,  
Bury St. Edmunds, Suffolk,  
IP32 7AR



01284 757500

01284 703534



[www.sealey.co.uk](http://www.sealey.co.uk)

[sales@sealey.co.uk](mailto:sales@sealey.co.uk)