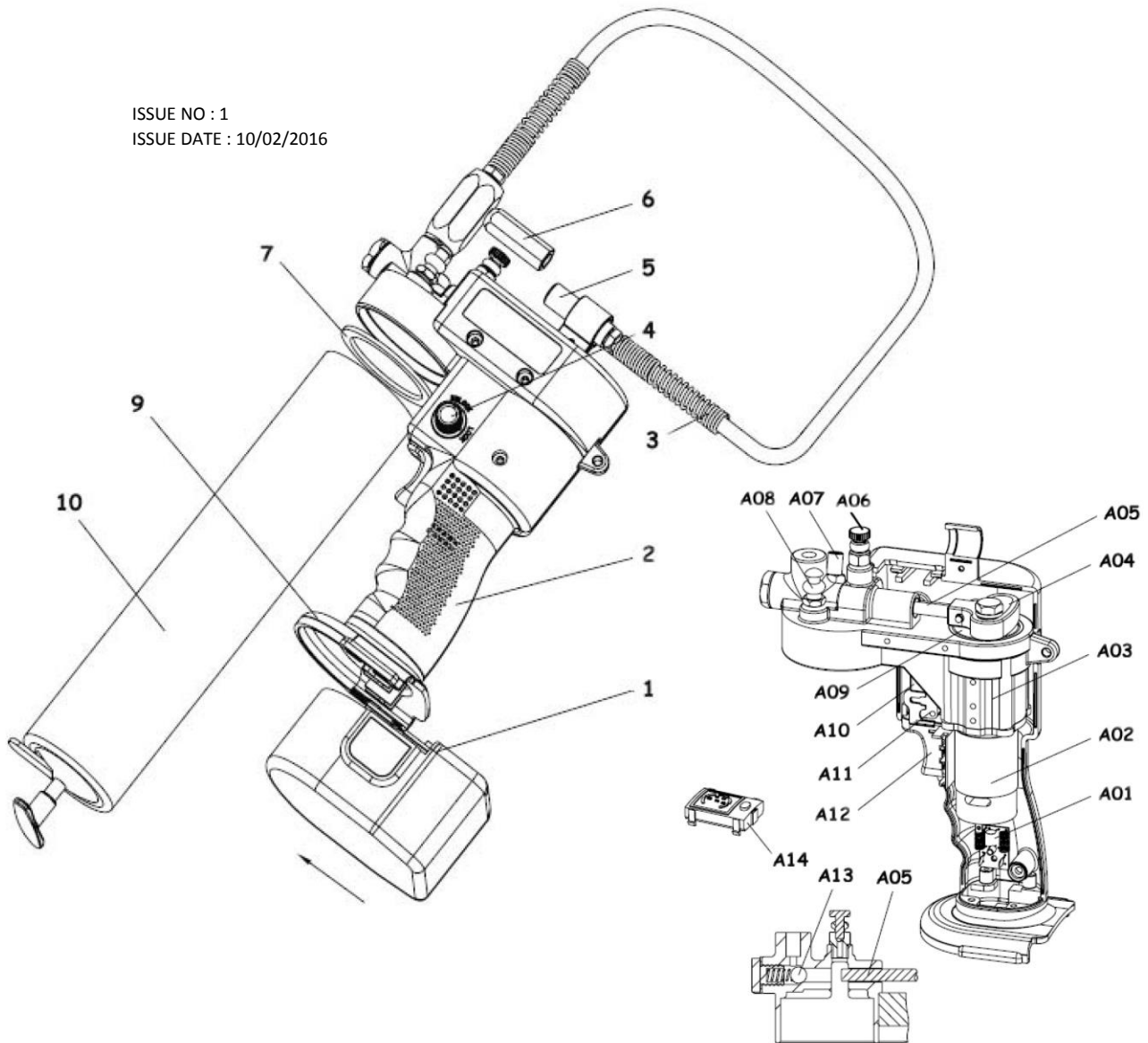




PARTS FOR :
CORDLESS GREASE GUN 12V
MODELS: CPG12V.V3

ISSUE NO : 1
 ISSUE DATE : 10/02/2016



ITEM	PART NO	DESCRIPTION	ITEM	PART NO	DESCRIPTION
1	CPG12VBP	CORDLESS POWER TOOL BATTERY 12V	A01	CPG12V.V2-A01	INTERFERENCE BLANKER
2	CPG12V.V2-02	HANDLE ASSEMBLY	A02	CPG12V.V2-A02	MOTOR KIT
3	CPG12V.V2-03	FLEXIBLE HOSE	A03	CPG12V.V2-A03	GEARBOX ASSEMBLY KIT
4	CPG12V.V2-04	SELF-LOCKING TRIGGER	A04	CPG12V.V2-A04	YOKE BLOCK
5	CPG12V.V2-05	COUPLER	A05	CPG12V.V2-A05	PLUNGER
6	CPG12V.V2-06	RELIEF VALVE	A06	CPG12V.V2-A06	GREASE RELEASE VALVE
7	CPG12V.V2-07	GASKET	A07	CPG12V.V2-A07	FILLER NIPPLE
--	CPG12V.V2-08	RUBBER SEAL BOWL	A08	CPG12V.V2-A08	VENT VALVE
9	CPG12V.V2-09	BATTERY FIXED DEVICE	A09	CPG12V.V2-A09	INSIDE YOKE BLOCK
10	CPG12V.V2-10	GREASE TUBE ASSEMBLY	A10	CPG12V.V2-A10	RESETABLE FUSE LT200 1.7x1.8
--	CPG12V.V2-11	BATTERY CHARGER	A11	CPG12V.V2-A11	MICRO SWITCH
--	CPG12V.V2-ICA	IN-CAR ADAPTOR for CPG12V	A12	CPG12V.V2-A12	TRIGGER
--	CPG12V.V2-WB	GREASE TUBE WARMER	A13	CPG12V.V2-A13	CHECK VALVE KIT
--	CPG12V.V2-BMC	BLOW MOULDED CASE	A14	CPG12V.V2-A14	BATTERY CAPACITY DISPLAY
--	CPG12V.V2-RH	REGULATOR HOUSING	--	CPG12V.V2-PC	PLASTIC COVER FOR CPG12V.V2-A14
--	CPG12V.V2-CA	CPG12V CIRCUIT ASSEMBLY	--	CPG12V.V2-A15	"D" SHAPE GEAR FOR MOTOR

Items marked '--' not shown



Sole UK Distributor,
 Sealey Group, Kempson Way,
 Suffolk Business Park,
 Bury St Edmunds, Suffolk, IP32 7AR

01284 757500
 01284 703534

www.sealey.co.uk
 sales@sealey.co.uk