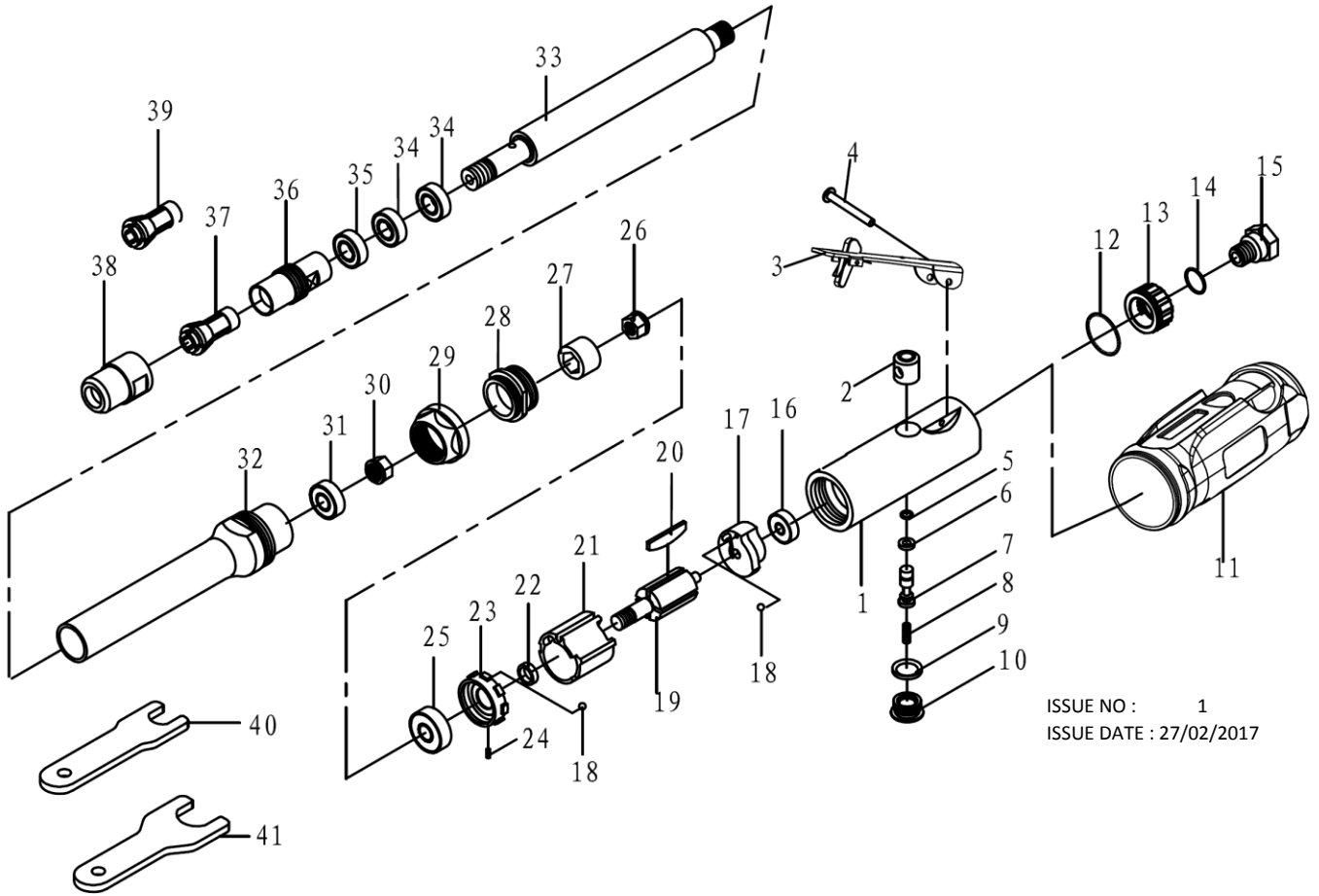




PARTS FOR :
AIR DIE GRINDER LONG REACH
MODELS: GSA672.V2



ISSUE NO : 1
 ISSUE DATE : 27/02/2017

ITEM	PART NO	DESCRIPTION	ITEM	PART NO	DESCRIPTION	ITEM	PART NO	DESCRIPTION
1	GSA672.V2-01	HOUSING	15	GSA672.V2-15	AIR INLET CONNECTOR	29	GSA672.V2-29	HEXAGON NUT
2	GSA672.V2-02	VALVE BUSHING	16	GSA672.V2-16	BEARING	30	GSA672.V2-30	DRIVE SHAFT NUT
3	GSA672.V2-03	TRIGGER COMPONENT	17	GSA672.V2-17	BACK CYLINDER HEAD	31	GSA672.V2-31	BEARING
4	GSA672.V2-04	RIVET 3x24mm	18	GSA672.V2-18	STEEL BALL 2.5mm	32	GSA672.V2-32	DRIVE HOUSING
5	GSA672.V2-05	O-RING 3.3x1.5mm	19	GSA672.V2-19	ROTOR	33	GSA672.V2-33	DRIVING SLEEVE
6	GSA672.V2-06	O-RING 4x2mm	20	GSA672.V2-20	BLADE	34	GSA672.V2-34	BEARING
7	GSA672.V2-07	PIN	21	GSA672.V2-21	CYLINDER	35	GSA672.V2-35	BEARING
8	GSA672.V2-08	SPRING	22	GSA672.V2-22	WASHER	36	GSA672.V2-36	DRIVE SHAFT
9	GSA672.V2-09	O-RING 11x2mm	23	GSA672.V2-23	FRONT CYLINDER HEAD	37	GSA672.V2-37	1/4" COLLET
10	GSA672.V2-10	NUT	24	GSA672.V2-24	PIN 1.5x5mm	38	GSA672.V2-38	COLLET NUT
11	GSA672.V2-11	JACKET	25	GSA672.V2-25	BEARING	39	GSA672.V2-39	1/8" COLLET
12	GSA672.V2-12	O-RING 25x2mm	26	GSA672.V2-26	ROTOR NUT	40	GSA672.V2-40	SMALL SPANNER
13	GSA672.V2-13	MUFFLE COVER	27	GSA672.V2-27	DRIVE RETAINER	41	GSA672.V2-41	BIG SPANNER
14	GSA672.V2-14	O-RING 14x2mm	28	GSA672.V2-28	LOCKING RING			



Sole UK Distributor, Sealey Group.
 Kempson Way, Suffolk Business Park,
 Bury St. Edmunds, Suffolk.
 IP32 7AR

01284 757500

01284 703534

www.sealey.co.uk

sales@sealey.co.uk