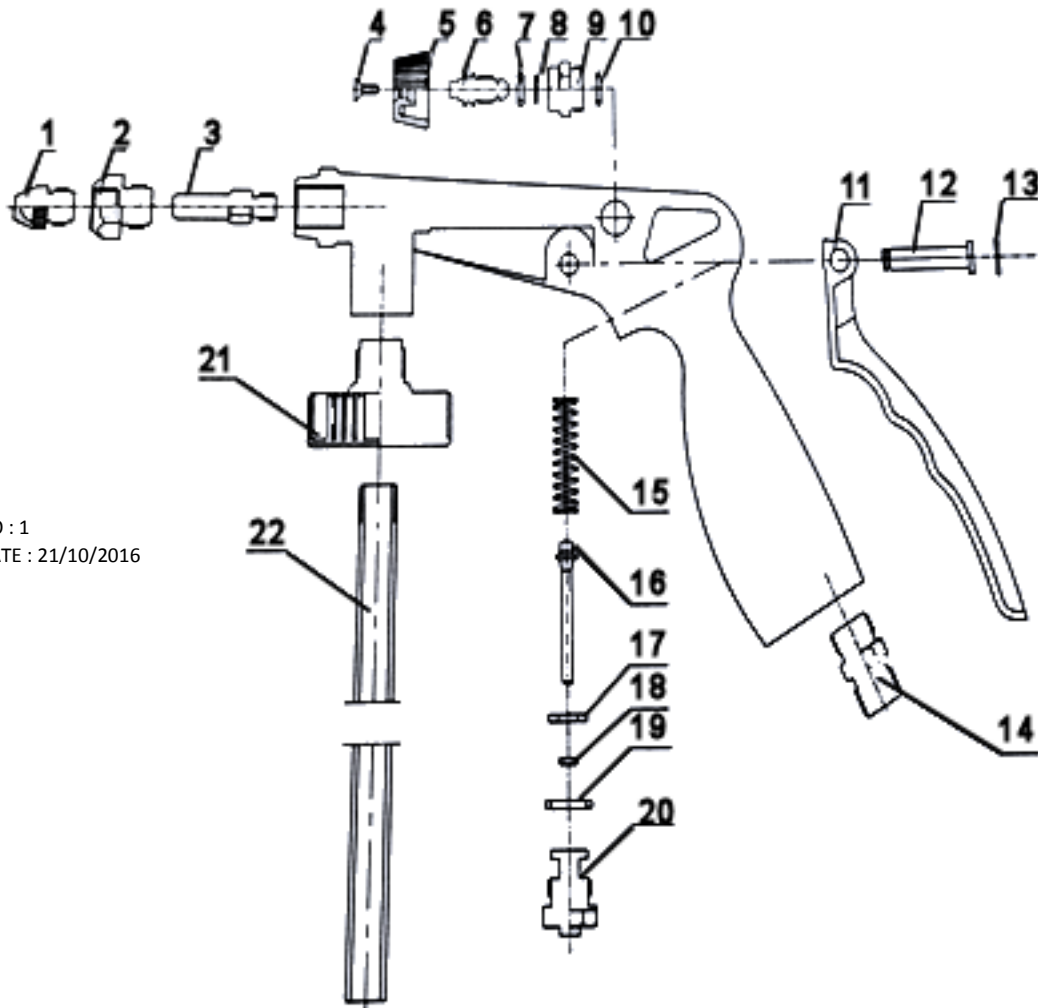




**PARTS FOR :**  
UNDERBODY COATING SPRAY SET AIR  
OPERATED DELUXE MODEL

**MODELS: SG16.V4**




ISSUE NO : 1  
ISSUE DATE : 21/10/2016

| ITEM  | PART NO       | DESCRIPTION                             |
|-------|---------------|---|
| 1-3   | SG16.V4-01-3  | AIR NOZZLE SET                          |
| 4-10  | SG16.V4-04-10 | PATTERN ADJUSTABLE                      |
| 11-13 | SG16.V4-11-13 | TRIGGER SET                             |
| 14    | SG16.V4-14    | AIR INLET                               |
| 15-20 | SG16.V4-15-20 | TRIGGER VALVE SET                       |
| 21-22 | SG16.V4-21-22 | CANISTER CAP WITH ALUMINIUM TUBE        |
| 23    | SG16.V4-23    | SOFT TUBE ( <b>NOT SHOWN</b> )          |
| 24    | SG16.V4-24    | ALUMINIUM CANISTER ( <b>NOT SHOWN</b> ) |



Sole UK Distributor, Sealey Group.  
Kempson Way, Suffolk Business Park,  
Bury St. Edmunds, Suffolk.  
IP32 7AR

 01284 757500

 01284 703534

 [www.sealey.co.uk](http://www.sealey.co.uk)

 [sales@sealey.co.uk](mailto:sales@sealey.co.uk)