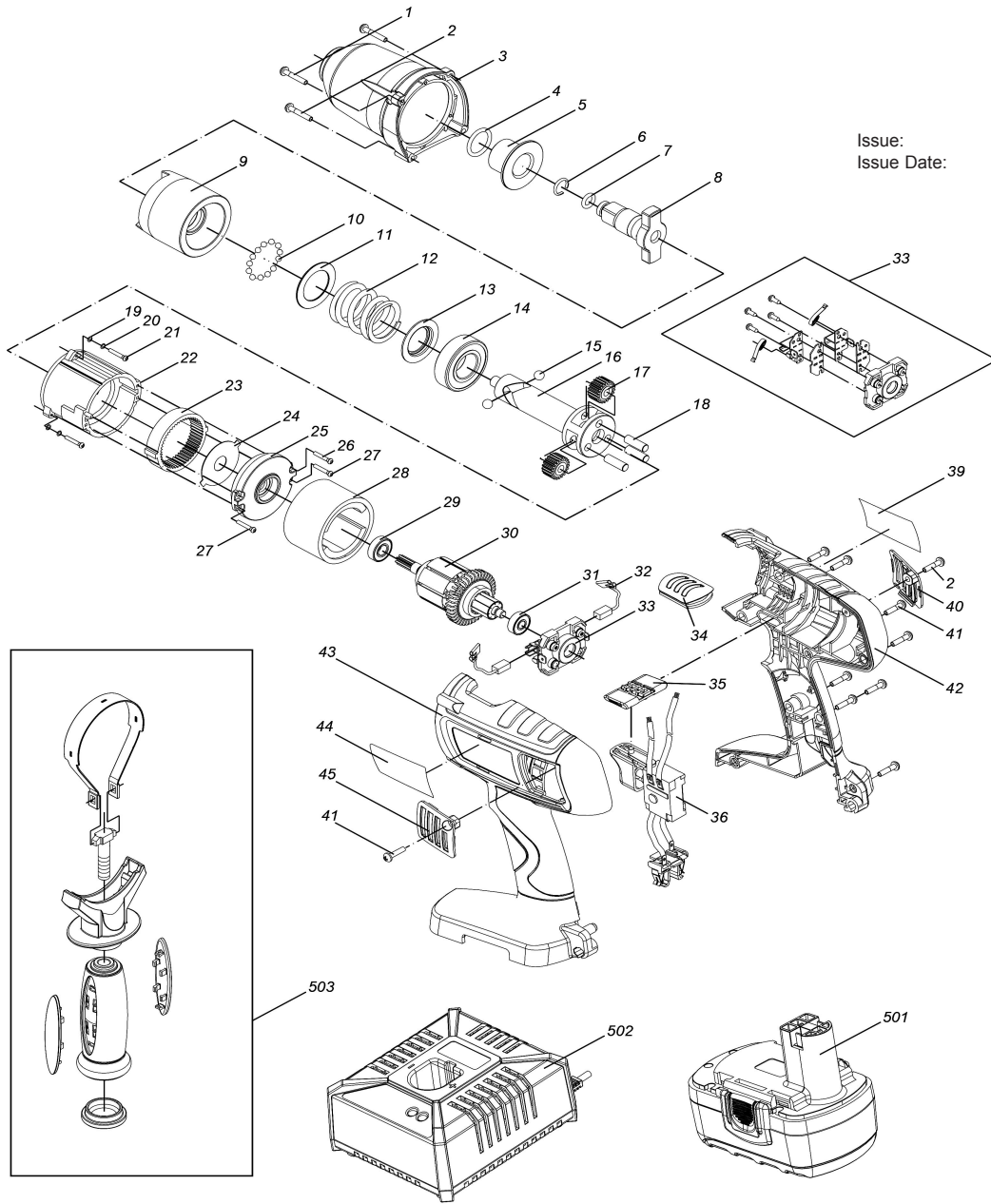


PARTS FOR:  
**CORDLESS IMPACT WRENCH 19.2V 1/2" Sq Dr**  
**2 X BATTERIES**  
**MODEL: CP1950**



Issue: 1  
 Issue Date: 180511

ITEM	PART NO	DESCRIPTION	ITEM	PART NO	DESCRIPTION	ITEM	PART NO	DESCRIPTION
1	CP1950.01	TAPPING SCREW (ST3.5x22)	17	CP1950.17	PLANET GEAR	33	CP1950.33	BRUSH HOLDER
2	CP1950.02	TAPPING SCREW (ST3.5x25)	18	CP1950.18	CYLINDER PIN	34	CP1950.34	TOP COVER
3	CP1950.03	GEAR HOUSING	19	CP1950.19	WASHER	35	CP1950.35	FORWARD/REVERSE ROD
4	CP1950.04	O-RING (18x2.65)	20	CP1950.20	SPRING WASHER	36	CP1950.36	SWITCH ASS'Y
5	CP1950.05	SPINDLE SLEEVE	21	CP1950.21	SCREW (M4x16)	39	CP1950.39	LABEL (RATING)
6	CP1950.06	BAFFLE RING	22	CP1950.22	GEAR HOUSING	40	CP1950.40	BRUSH COVER (RIGHT SIDE)
7	CP1950.07	O-RING (8x1.8)	23	CP1950.23	INTERNAL GEAR	41	CP1950.41	TAPPING SCREW (ST3.5x16)
8	CP1950.08	FRONT IMPACT ASS'Y	24	CP1950.24	WASHER	42	CP1950.42	HOUSING (RIGHT SIDE)
9	CP1950.09	REAR IMPACT BLOCK	25	CP1950.25	GEARBOX COVER	43	CP1950.43	HOUSING (LEFT SIDE)
10	CP1950.10	STEEL BALL	26	CP1950.26	TAPPING SCREW (ST2.9x9.5)	44	CP1950.44	NAME PLATE
11	CP1950.11	WASHER	27	CP1950.27	TAPPING SCREW (ST2.9x13)	45	CP1950.45	BRUSH COVER (LEFT SIDE)
12	CP1950.12	SPRING	28	CP1950.28	STATOR	501	CP1950BP	BATTERY PACK 19.2V
13	CP1950.13	SPRING HOLDER	29	CP1950.29	BEARING (619/8-2Z)	502	CP1950.502	BATTERY CHARGER
14	CP1950.14	BEARING (6004-2Z)	30	CP1950.30	ROTOR	503	CP1950.503	AUXILIARY HANDLE
15	CP1950.15	STEEL BALL (6.5mm)	31	CP1950.31	BEARING (606-2Z)			
16	CP1950.16	DRIVE SPINDLE	32	CP1950.32	CARBON BRUSH			

**NOTE:** It is our policy to continually improve products and as such we reserve the right to alter data, specifications and component parts without prior notice.

**IMPORTANT:** No liability is accepted for incorrect use of product.

**WARRANTY:** Guarantee is 12 months from purchase date, proof of which will be required for any claim.

**INFORMATION:** For a copy of our latest catalogue and promotions call us on 01284 757525 and leave your full name and address, including postcode.