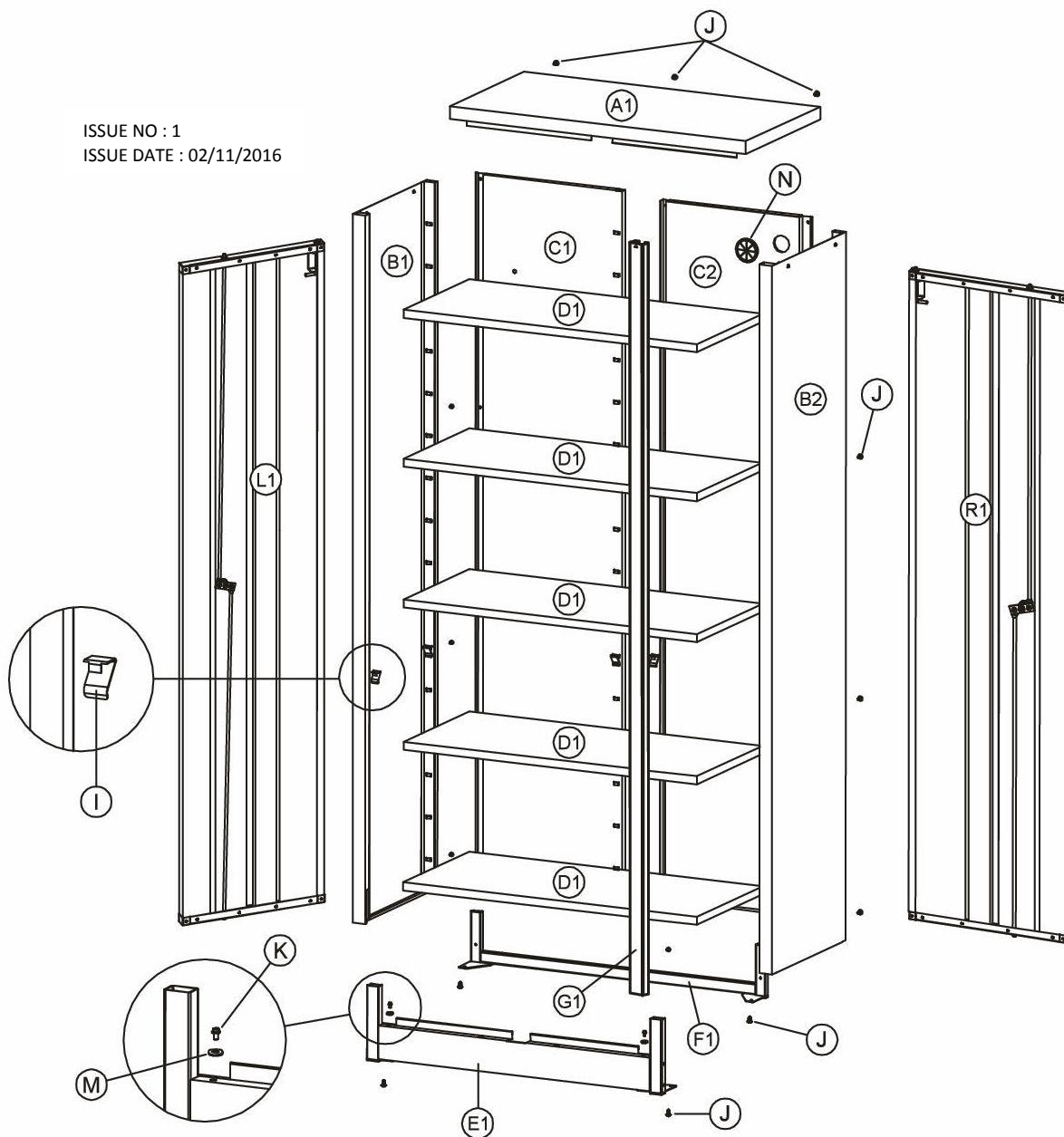


ISSUE NO : 1
 ISSUE DATE : 02/11/2016



| ITEM | PART NO | DESCRIPTION | ITEM | PART NO | DESCRIPTION |
|------|---------------|--------------------|------|---------------|--------------------|
| A1 | GSC110385V2A1 | TOP PANEL | G1 | GSC110385V2G1 | MIDDLE COLUMN |
| B1 | GSC110385V2B1 | LEFT SIDE PANEL | I | GSC110385V2I | SHELF SUPPORT |
| B2 | GSC110385V2B2 | RIGHT SIDE PANEL | J | GSC110385V2J | SELF TAPPING SCREW |
| C1 | GSC110385V2C1 | LEFT BACK PANEL | K | GSC110385V2K | BOTTOM HINGE PIN |
| C2 | GSC110385V2C2 | RIGHT BACK PANEL | L1 | GSC110385V2L1 | LEFT DOOR |
| D1 | GSC110385V2D1 | SHELF | M | GSC110385V2M | WASHER |
| E1 | GSC110385V2E1 | FRONT BASE BRACKET | N | GSC110385V2N | WIRING GROMMET |
| F1 | GSC110385V2F1 | BACK BASE BRACKET | R1 | GSC110385V2R1 | RIGHT DOOR |