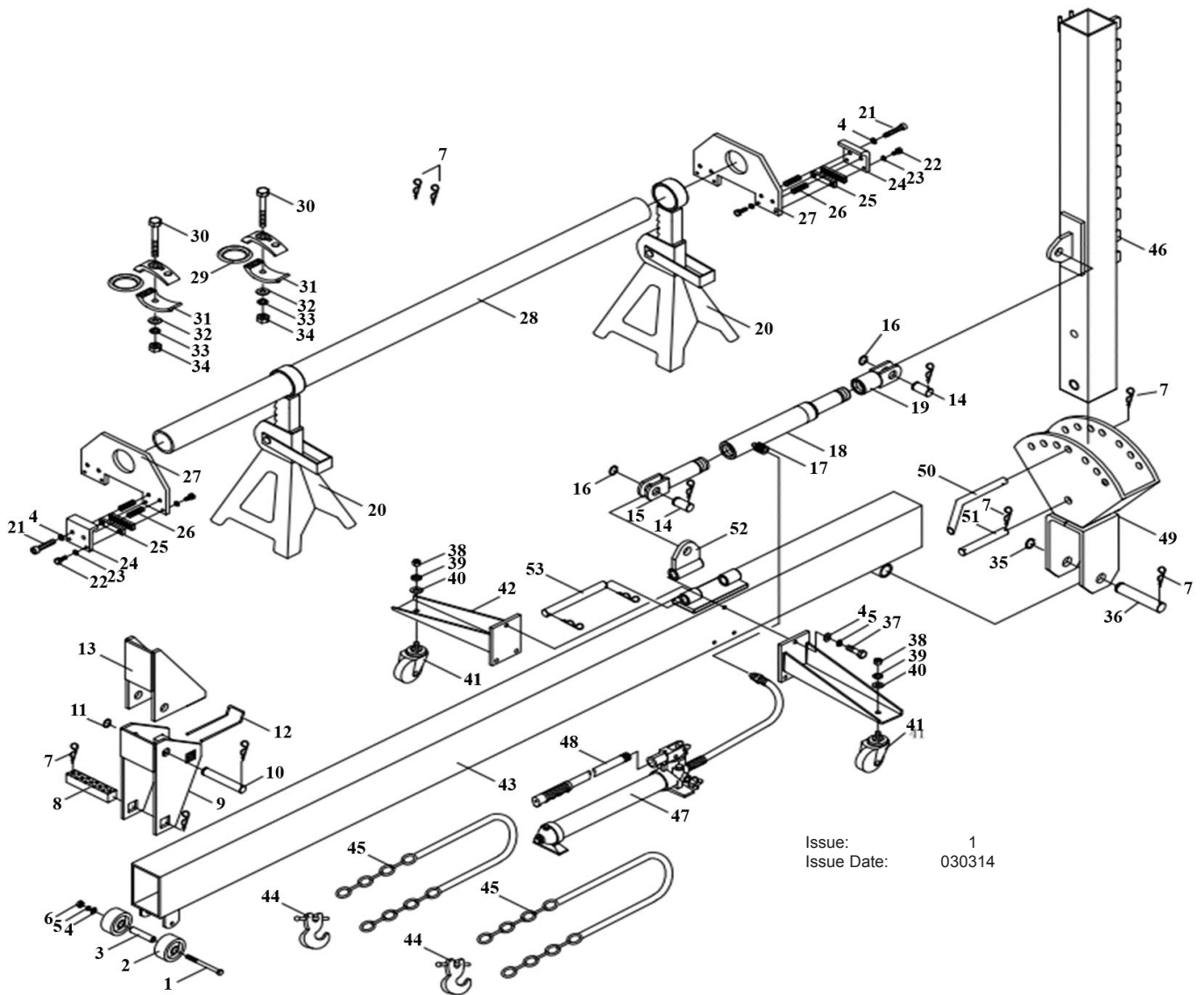




PARTS FOR:
STRAIGHTENER KIT 10tonne WITH VARIABLE UPRIGHT
 MODEL: **DZRE92/C.V2**



Issue: 1
 Issue Date: 030314

| ITEM | PART NO | DESCRIPTION | ITEM | PART NO | DESCRIPTION | ITEM | PART NO | DESCRIPTION |
|------|--------------|-------------------------|------|--------------|------------------|------|--------------|------------------|
| 1 | DZRE92CV2.01 | BOLT | 20 | DZRE92CV2.20 | SUPPORT STAND | 39 | DZRE92CV2.39 | SPRING WASHER |
| 2 | DZRE92CV2.02 | WHEEL | 21 | DZRE92CV2.21 | BOLT | 40 | DZRE92CV2.40 | WASHER |
| 3 | DZRE92CV2.03 | BUSHING | 22 | DZRE92CV2.22 | BOLT | 41 | DZRE92CV2.41 | CASTOR WHEEL |
| 4 | DZRE92CV2.04 | WASHER | 23 | DZRE92CV2.23 | WASHER | 42 | DZRE92CV2.42 | CASTOR WHEEL ARM |
| 5 | DZRE92CV2.05 | SPRING | 24 | DZRE92CV2.24 | ADJUSTABLE CLAMP | | | SUPPORT |
| 6 | DZRE92CV2.06 | NUT | 25 | DZRE92CV2.25 | PLATE | 43 | DZRE92CV2.43 | MAIN BEAM |
| 7 | DZRE92CV2.07 | R-PIN | 26 | DZRE92CV2.26 | JAW FACE | 44 | DZRE92CV2.44 | HOOK ASSEMBLY |
| 8 | DZRE92CV2.08 | STOP BLOCK | 27 | DZRE92CV2.27 | SPRING | 45 | DZRE92CV2.45 | CHAIN |
| 9 | DZRE92CV2.09 | BOTTOM, ANCHOR POST | 28 | DZRE92CV2.28 | SUPPORT PLATE | 46 | DZRE92CV2.46 | POST |
| 10 | DZRE92CV2.10 | SPINDLE, ANCHOR POST | 29 | DZRE92CV2.29 | CROSS TUBE | 47 | DZRE92CV2.47 | PUMP ASSEMBLY |
| 11 | DZRE92CV2.11 | RETAINING RING | 30 | DZRE92CV2.30 | PULL RING | 48 | DZRE92CV2.48 | PUMP HANDLE |
| 12 | DZRE92CV2.12 | U-PIN | 31 | DZRE92CV2.31 | BOLT | 49 | DZRE92CV2.49 | TILTING SUPPORT |
| 13 | DZRE92CV2.13 | TOP, ANCHOR POST | 32 | DZRE92CV2.32 | PULL CLAMP | 50 | DZRE92CV2.50 | LOCK PIN |
| 14 | DZRE92CV2.14 | SHORT PIN | 33 | DZRE92CV2.33 | WASHER | 51 | DZRE92CV2.51 | PIN |
| 15 | DZRE92CV2.15 | RAM ATTACHMENT (FEMALE) | 34 | DZRE92CV2.34 | SPRING WASHER | 52 | DZRE92CV2.52 | HINGE ASSEMBLY |
| 16 | DZRE92CV2.16 | RETAINING RING | 35 | DZRE92CV2.35 | NUT | 53 | DZRE92CV2.53 | HINGE PIN |
| 17 | DZRE92CV2.17 | RAM COUPLING | 36 | DZRE92CV2.36 | RETAINING RING | | | |
| 18 | DZRE92CV2.18 | RAM ASSEMBLY | 37 | DZRE92CV2.37 | SPINDLE | | | |
| 19 | DZRE92CV2.19 | RAM ATTACHMENT (MALE) | 38 | DZRE92CV2.38 | BOLT | | | |
| | | | | | NUT | | | |

NOTE: It is our policy to continually improve products and as such we reserve the right to alter data, specifications and component parts without prior notice.

IMPORTANT: No liability is accepted for incorrect use of product.

WARRANTY: Guarantee is 12 months from purchase date, proof of which will be required for any claim.

INFORMATION: For a copy of our latest catalogue and promotions call us on 01284 757525 and leave your full name and address, including postcode.



Sole UK Distributor,
 Sealey Group, Kempson Way,
 Suffolk Business Park,
 Bury St Edmunds, Suffolk, IP32 7AR



01284 757500



01284 703534



www.sealey.co.uk



sales@sealey.co.uk