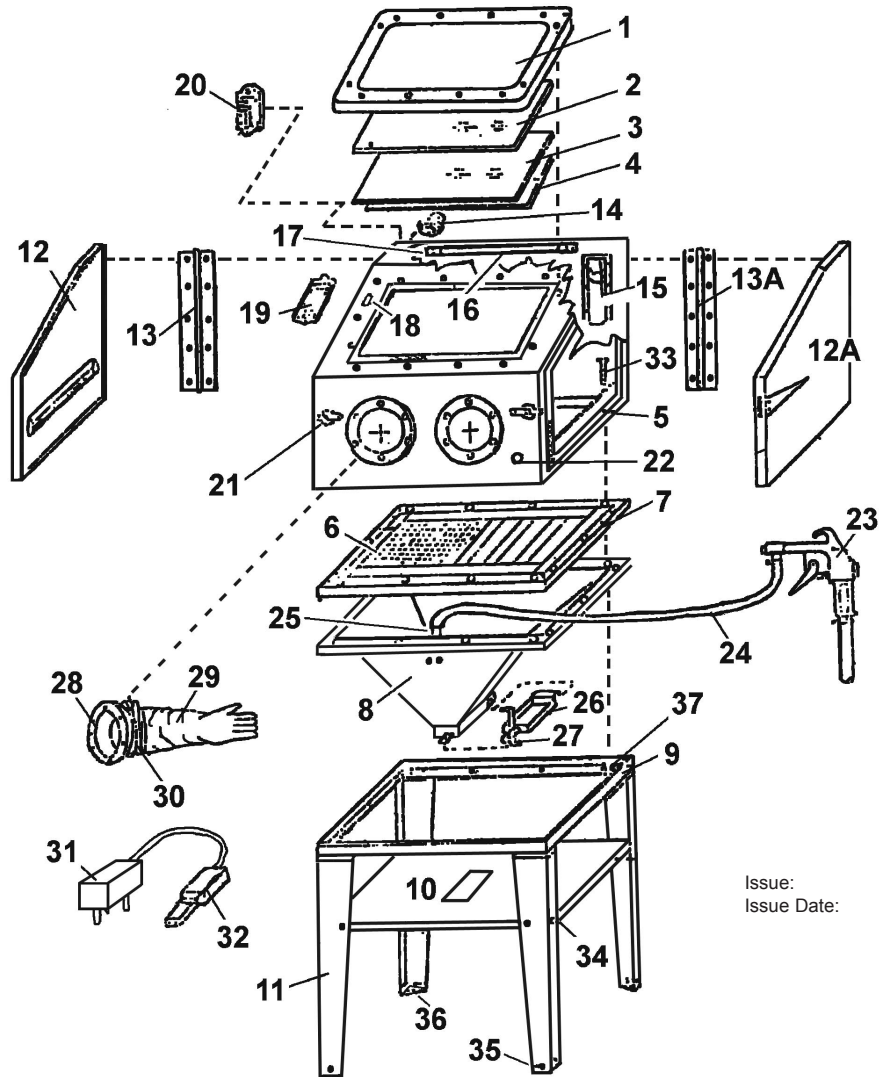


PARTS FOR:  
**SHOT BLASTING CABINET DOUBLE ACCESS**  
 960x720x1500mm  
 MODEL: **SB974.V3**



Issue: 1  
 Issue Date: 290512

ITEM	PART NO	DESCRIPTION	ITEM	PART NO	DESCRIPTION
1	SB974.V3-01	PLASTIC FRAME	20	SB974.V3-20	SOCKET
2	SB974.V3-02	ORGANIC GLASS	21	SB974.V3-21	LOCK
3	SB974.V3-03	GLASS	22	SB974.V3-22	AIR INPUT PROTECTING RING
4	SB974.V3-04	PVC	23	SB974.V3-23	SANDING GUN
5	SB974.V3-05	CABINET		SB974.V3-23-1	SANDING GUN NOZZLE (not shown)
6	SB974.V3-06	NET		SB974.V3-23-2	AIR INLET NOZZLE (not shown)
7	SB974.V3-07	NET SHELF	24	SB974.V3-24	SANDING INPUT HOSE
8	SB974.V3-08	FUNNEL	25	SB974.V3-25	SAND INPUT PIPE
9	SB974.V3-09	FRAME	26	SB974.V3-26	FUNNEL COVER
10	SB974.V3-10	SHELF	27	SB974.V3-27	HOOK
11	SB974.V3-11	LEG	28	SB974.V3-28	GLOVE MOUNTING FLANGE
12	SB974.V3-12	DOOR (LEFT)	29	SB974.V3-29	GLOVE (PAIR)
12A	SB974.V3-12A	DOOR (RIGHT)	30	SB974.V3-30	CLAMP
13	SB974.V3-13	HINGE	31	SB974.V3-31	TRANSFORMER
13A	SB974.V3-13A	HINGE	32	SB974.V3-32	PLUG
14	SB974.V3-14	FLANGE	33	SB974.V3-33	SCREW
15	SB974.V3-15	AIR INPUT COVER	34	SB974.V3-34	SCREW
16	SB974.V3-16	LAMP	35	SB974.V3-35	SCREW
17	SB974.V3-17	CLAMP	36	SB974.V3-36	MOULDING
18	SB974.V3-18	SWITCH	37	SB974.V3-37	SCREW
19	SB974.V3-19	SWITCH BOX			

**NOTE:** It is our policy to continually improve products and as such we reserve the right to alter data, specifications and component parts without prior notice.

**IMPORTANT:** No liability is accepted for incorrect use of product.

**WARRANTY:** Guarantee is 12 months from purchase date, proof of which will be required for any claim.

**INFORMATION:** For a copy of our latest catalogue and promotions call us on 01284 757525 and leave your full name and address, including postcode.