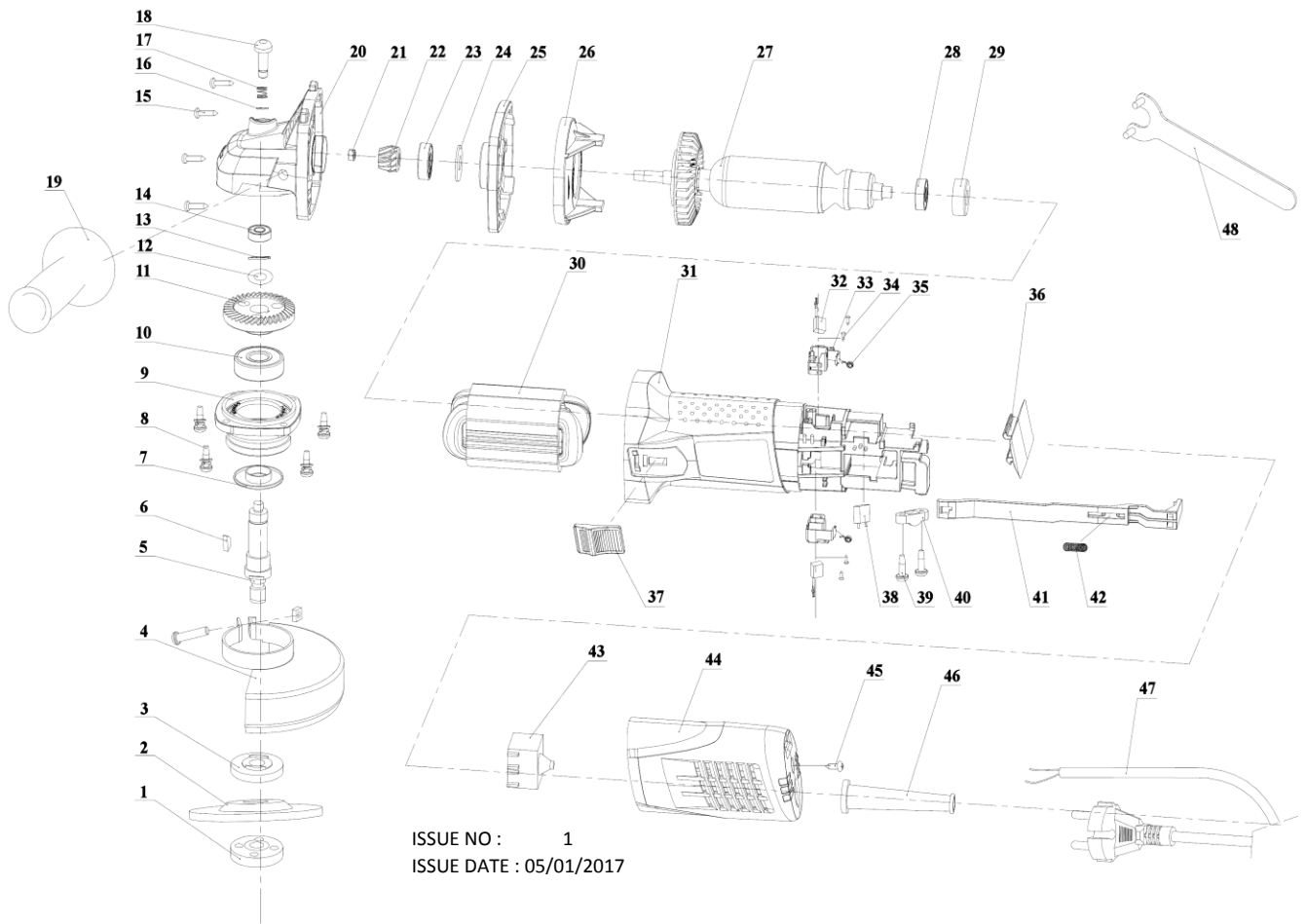


# SEALEY

**PARTS FOR :**  
**AMGLE GRINDER Ø115mm 750W/230V SLIM BODY**  
**MODELS: SGS115**



ISSUE NO : 1  
 ISSUE DATE : 05/01/2017

ITEM	PART NO	DESCRIPTION	ITEM	PART NO	DESCRIPTION	ITEM	PART NO	DESCRIPTION
1	SGS115.01	FLANGE NUT	15	SGS115.17	SPRING	30	SGS115.33	BRUSH HOLDER
2	PTC/115C	CUTTING DISC 115 x 3mm 22mm BORE	16	SGS115.18	SPINDLE LOCK	31	SGS115.34	SCREW
3	SGS115.03	FLANGE	17	SGS115.19	SIDE HANDLE	32	SGS115.35	SPRING
4	SGS115.04	WHEEL GUARD	18	SGS115.20	GEAR CASE	33	SGS115.36	SPEED CONTROL COVER
5	SGS115.05	SPINDLE	19	SGS115.21	SCREW	34	SGS115.37	SWITCH BUTTON
6	SGS115.06	WOODRUFF KEY	20	SGS115.22	PINION	35	SGS115.38	CAPACITANCE
7	SGS115.07	DUST COVER		B/608ZZ	BALL BEARING 608ZZ	36	SGS115.39	SCREW
8	SGS115.08	SCREW	21	SGS115.24	WASHER	37	SGS115.40	CORD CLAMP
9	SGS115.09	FRONT COVER	22	SGS115.25	MIDDLE COVER	38	SGS115.41	PUSH BAR
10	SGS115.11	GEAR	23	SGS115.26	BAFFLE	39	SGS115.42	SPRING
11	SGS115.12	WAVE WASHER	24	SGS115.27	ROTOR	40	SGS115.43	SWITCH
12	SGS115.13	SPRING WASHER	25	SGS115.28	BEARING 607	41	SGS115.44	REAR HANDLE
13	SGS115.15	SCREW	26	SGS115.29	BEARING COVER	42	SGS115.45	SCREW
14	SGS115.16	WASHER	27	SGS115.30	STATOR	43	SGS115.46	CORD SLEEVE
			28	SGS115.31	HOUSING	44	SGS115.47	CABLE
			29	SGS115.32	CARBON BRUSH	45	SGS115.48	WRENCH

# SEALEY

Sole UK Distributor, Sealey Group.  
 Kempson Way, Suffolk Business Park,  
 Bury St. Edmunds, Suffolk.  
 IP32 7AR

01284 757500

01284 703534

[www.sealey.co.uk](http://www.sealey.co.uk)

[sales@sealey.co.uk](mailto:sales@sealey.co.uk)