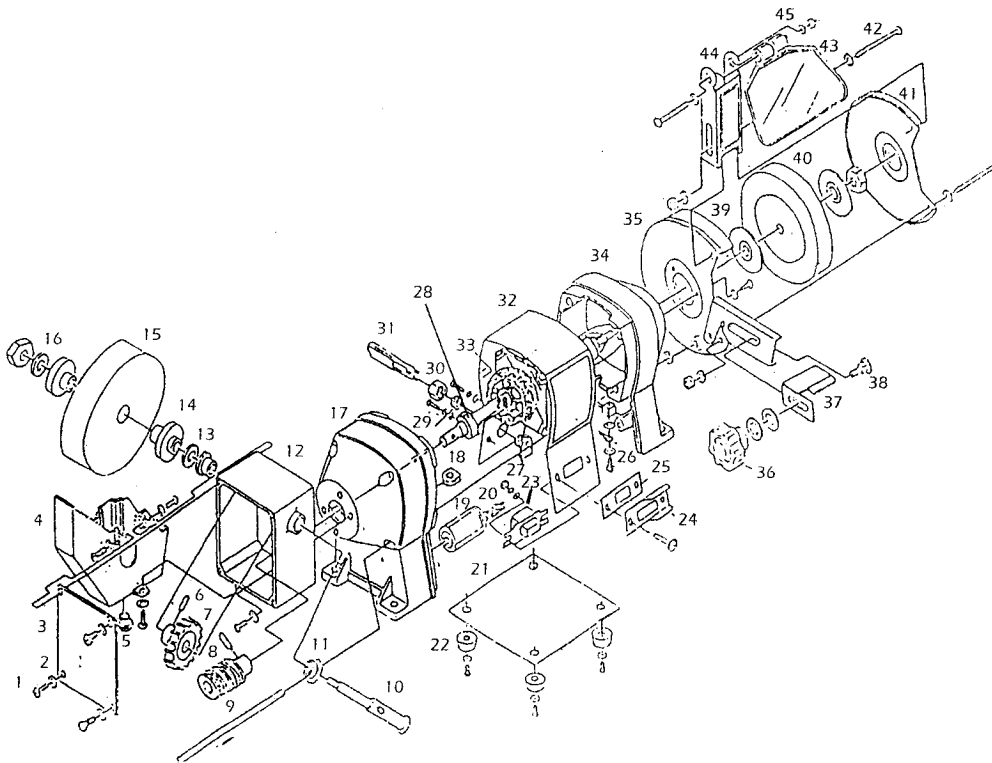


# DRAPER®

PARTS LISTING & DRAWING SHEET FOR

## Wet & Dry Bench Grinder

Stock No.78456 Part No.GWD200A



03/2005

KEY No.	PART No.	STOCK No.	DESCRIPTION
1	YGWD200A-01	87632	Screw.
2	YGWD200A-02	87633	Washer.
3	YGWD200A-03	87634	End Cover.
4	YGWD200A-04	87635	Water Trough.
5	YGWD200A-05	87636	Bung.
6	YGWD200A-06	87637	Pin.
7	YGWD200A-07	87638	Worm Wheel.
8	YGWD200A-08	87639	Gear.
9	YGWD200A-09	87640	Bolt.
10	YGWD200A-10	87641	Axle.
11	YGWD200A-11	87642	Bearing.
12	YGWD200A-12	87643	Case.
13	YGWD200A-13	87644	Washer.
14	YGWD200A-14	87645	Wheel Flange.
15	AG200W	79016	Whetstone.
16	YGWD200A-15	87646	Nut.
17	YGWD200A-16	87647	Left Main Body.
18	YGWD200A-17	87648	Cable Clamp.
19	YGWD200A-18	87649	Capacitor.
20	YGWD200A-19	87650	Connecting Bar.
21	YGWD200A-20	87651	Base Plate.
22	YGWD200A-21	87652	Foot.
23	YGWD200A-22	87653	Switch.

KEY No.	PART No.	STOCK No.	DESCRIPTION
24	YGWD200A-24	87654	Switch Cover.
25	YGWD200A-25	87655	Seal.
26	YGWD200A-26	87656	Earth Connection.
27	YGWD200A-27	87657	Cable Adaptor.
28	YGWD200A-28	87658	Field.
29	YGWD200A-29	87659	Washer.
30	YGWD200A-30	87660	Nut.
31	YGWD200A-31	87661	Plug and Cable.
32	YGWD200A-32	87662	Main Body.
33	YGWD200A-33	87663	Stator.
34	YGWD200A-34	87664	Right Main Body.
35	YGWD200A-35	87665	Inner Cover.
36	YGWD200A-36	87666	Adjustment Knob.
37	YGWD200A-37	87667	Tool Rest
38	YGWD200A-38	87668	Nut.
39	YGWD200A-39	87669	Wheel Flange.
40	AG205DA	38186	Dry Grinding Wheel.
41	YGWD200A-41	87670	Outer Cover.
42	YGWD200A-42	87671	Bolt.
43	YGWD200A-43	87672	Eyeshield.
44	YGWD200A-44	87673	Eyeshield Bracket.
45	YGWD200A-45	87674	Washer.

Helpline: (023) 8049 4344. Sales Desk: (023) 8049 4333. General Enquiries: (023) 8026 6355.