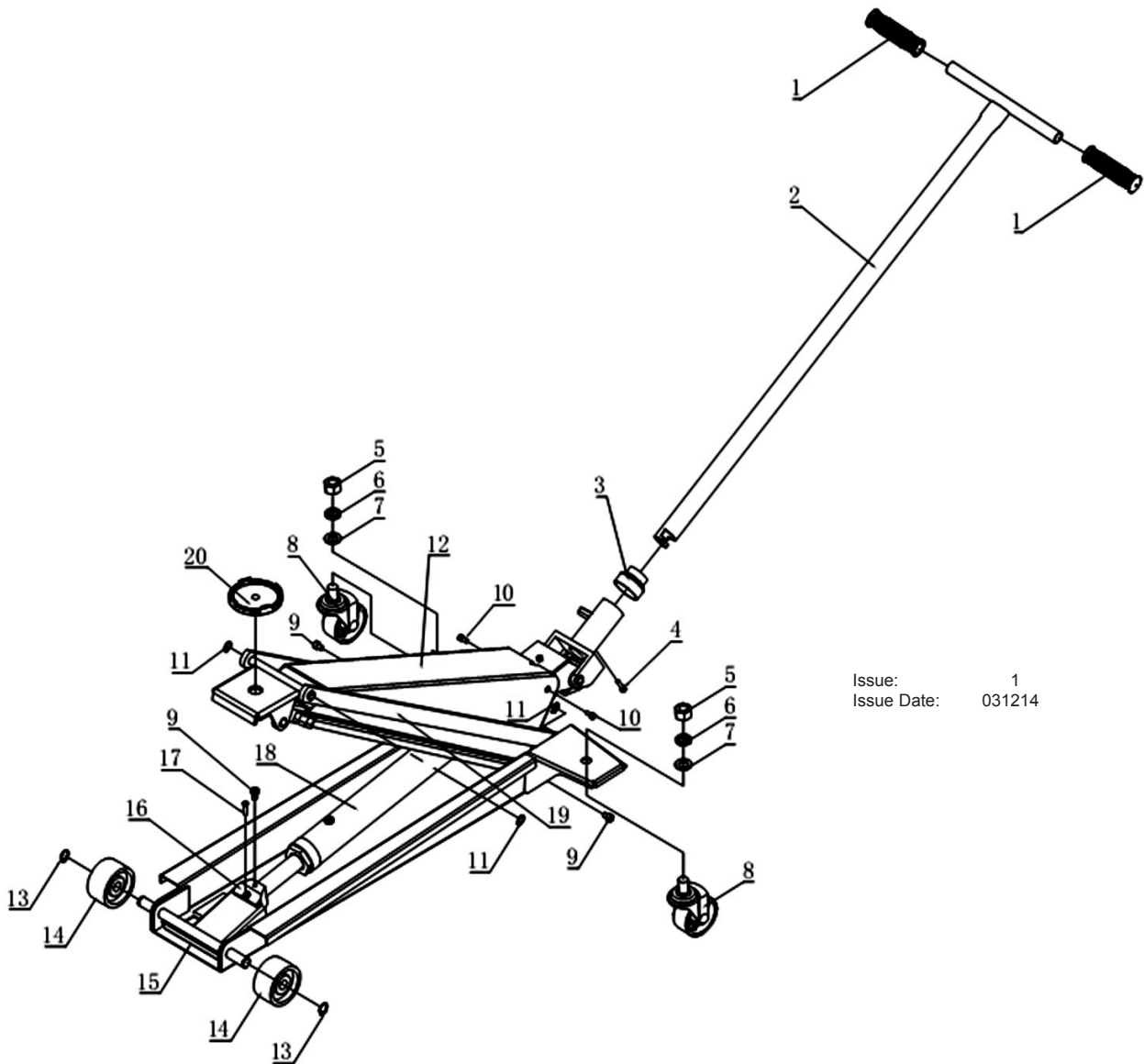




PARTS FOR:  
**TROLLEY JACK 2tonne HIGH LIFT LOW ENTRY**  
 MODEL: **2200HL.V2**

1 OF 2



Issue: 1  
 Issue Date: 031214

ITEM	PART NO	DESCRIPTION	ITEM	PART NO	DESCRIPTION
1	2200HL.V2-01	HANDLE GRIP	11	2200HL.V2-11	RETAINING RING
2	2200HL.V2-02	HANDLE	12	2200HL.V2-12	LIFTING FRAME ASSMEBLY
3	2200HL.V2-03	DUST CAP	13	2200HL.V2-13	RETAINING RING
4	2200HL.V2-04	SCREW	14	2200HL.V2-14	FIXED WHEEL
5	2200HL.V2-05	NUT	15	2200HL.V2-15	BASE FRAME ASSEMBLY
6	2200HL.V2-06	LOCK WASHER	16	2200HL.V2-16	SADDLE HOLDER
7	2200HL.V2-07	WASHER	17	2200HL.V2-17	SCREW
8	2200HL.V2-08	WHEEL ASSEMBLY	18	2200HL.V2-18	HYDRAULIC UNIT
9	2200HL.V2-09	SCREW	19	2200HL.V2-19	LINK ARM
10	2200HL.V2-10	SCREW	20	2200HL.V2-20	SADDLE ASSAMBLY

**NOTE:** It is our policy to continually improve products and as such we reserve the right to alter data, specifications and component parts without prior notice.

**IMPORTANT:** No liability is accepted for incorrect use of product.

**WARRANTY:** Guarantee is 12 months from purchase date, proof of which will be required for any claim.

**INFORMATION:** For a copy of our latest catalogue and promotions call us on 01284 757525 and leave your full name and address, including postcode.



Sole UK Distributor,  
 Sealey Group, Kempson Way,  
 Suffolk Business Park,  
 Bury St Edmunds, Suffolk, IP32 7AR



01284 757500



01284 703534



[www.sealey.co.uk](http://www.sealey.co.uk)

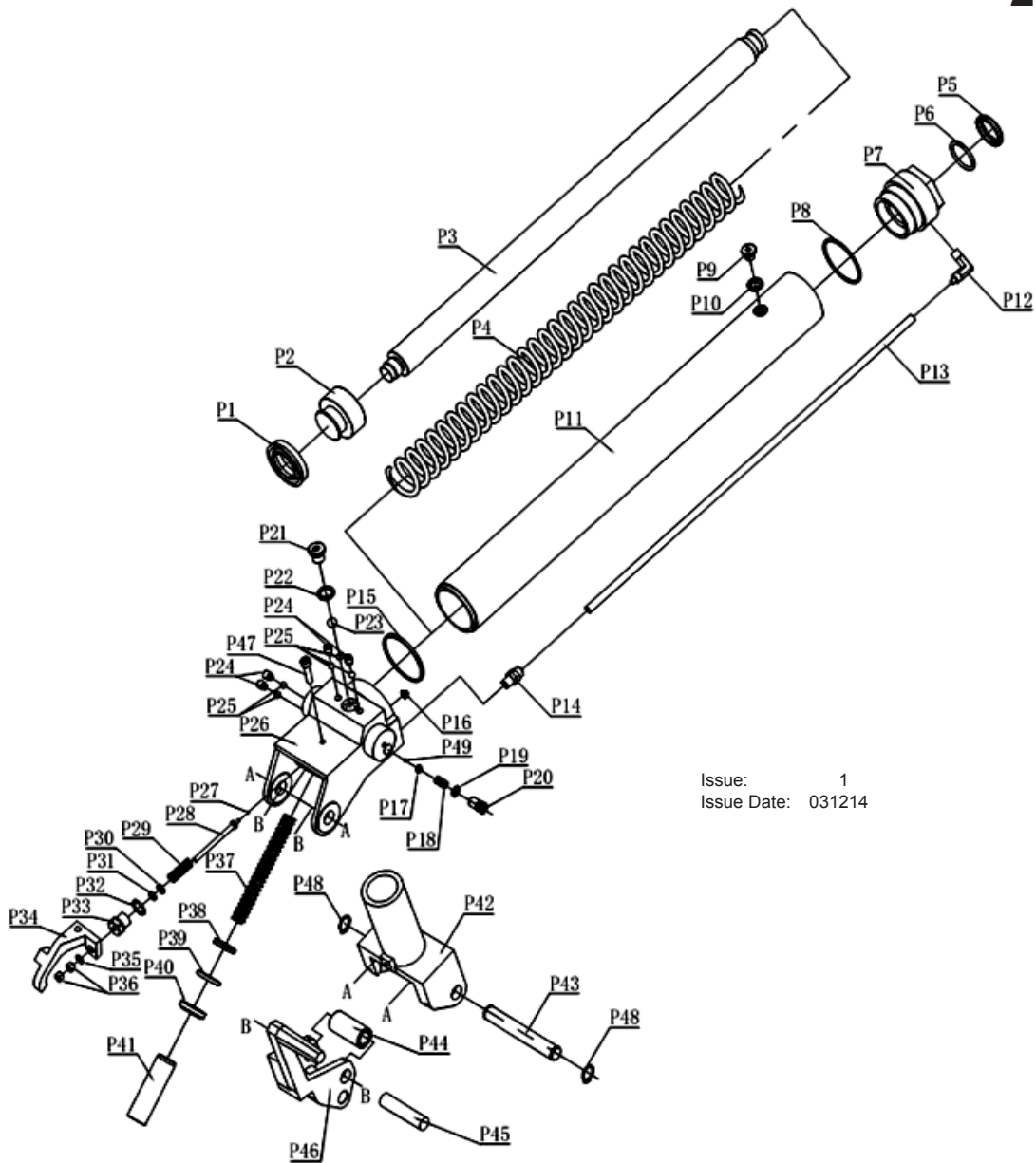


[sales@sealey.co.uk](mailto:sales@sealey.co.uk)



PARTS FOR:  
**TROLLEY JACK 2tonne HIGH LIFT LOW ENTRY**  
 MODEL: **2200HL.V2**

**2 OF 2**



Issue: 1  
 Issue Date: 031214

ITEM	PART NO	DESCRIPTION	ITEM	PART NO	DESCRIPTION	ITEM	PART NO	DESCRIPTION
P01	2200HL.V2-P01	U-RING	P18	2200HL.V2-P18	SPRING	P35	2200HL.V2-P35	WASHER
P02	2200HL.V2-P02	PISTON	P19	2200HL.V2-P19	O-RING	P36	2200HL.V2-P36	NUT
P03	2200HL.V2-P03	PISTON ROD	P20	2200HL.V2-P20	VALVE SEAT	P37	2200HL.V2-P37	SPRING
P04	2200HL.V2-P04	SPRING	P21	2200HL.V2-P21	SCREW	P38	2200HL.V2-P38	U-RING
P05	2200HL.V2-P05	DUST RING	P22	2200HL.V2-P22	SEAL WASHER	P39	2200HL.V2-P39	O-RING
P06	2200HL.V2-P06	O-RING	P23	2200HL.V2-P23	STEEL BALL	P40	2200HL.V2-P40	DUST RING
P07	2200HL.V2-P07	RAM COVER	P24	2200HL.V2-P24	SCREW	P41	2200HL.V2-P41	PUMP PISTON
P08	2200HL.V2-P08	O-RING	P25	2200HL.V2-P25	STEEL BALL	P42	2200HL.V2-P42	HANDLE SOCKET
P09	2200HL.V2-P09	SCREW	P26	2200HL.V2-P26	PUMP BODY	P43	2200HL.V2-P43	PIN, HANDLE SOCKET
P10	2200HL.V2-P10	SEAL WASHER	P27	2200HL.V2-P27	STEEL BALL	P44	2200HL.V2-P44	SPACER, HANDLE SOCKET
P11	2200HL.V2-P11	CYLINDER	P28	2200HL.V2-P28	UNLOADER VALVE ROD	P45	2200HL.V2-P45	PIN, PEDAL
P12	2200HL.V2-P12	JOINT	P29	2200HL.V2-P29	SPRING	P46	2200HL.V2-P46	PEDAL
P13	2200HL.V2-P13	PU HOSE	P30	2200HL.V2-P30	WASHER	P47	2200HL.V2-P47	SCREW
P14	2200HL.V2-P14	JOINT	P31	2200HL.V2-P31	O-RING	P48	2200HL.V2-P48	RETAINING RING
P15	2200HL.V2-P15	WASHER	P32	2200HL.V2-P32	COPPER WASHER	P49	2200HL.V2-P49	STEEL BALL
P16	2200HL.V2-P16	FILTER	P33	2200HL.V2-P33	VALVE SEAT	--	2200HL.V2-RK	REPAIR KIT (not shown)
P17	2200HL.V2-P17	STEEL BALL SEAT	P34	2200HL.V2-P34	UNLOADER PLATE			

**NOTE:** It is our policy to continually improve products and as such we reserve the right to alter data, specifications and component parts without prior notice.

**IMPORTANT:** No liability is accepted for incorrect use of product.

**WARRANTY:** Guarantee is 12 months from purchase date, proof of which will be required for any claim.

**INFORMATION:** For a copy of our latest catalogue and promotions call us on 01284 757525 and leave your full name and address, including postcode.



Sole UK Distributor,  
 Sealey Group, Kempson Way,  
 Suffolk Business Park,  
 Bury St Edmunds, Suffolk, IP32 7AR



01284 757500



01284 703534



[www.sealey.co.uk](http://www.sealey.co.uk)



[sales@sealey.co.uk](mailto:sales@sealey.co.uk)