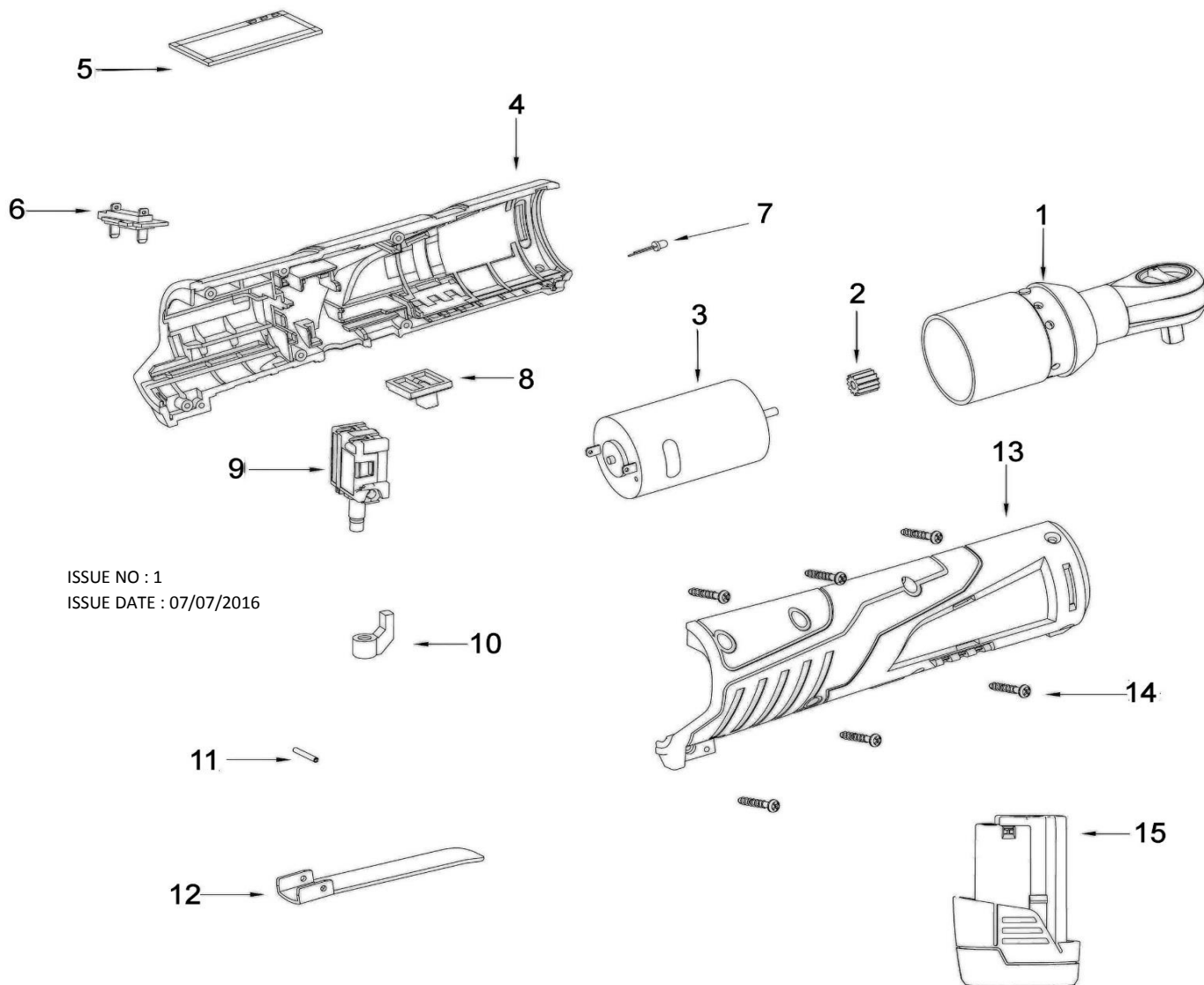




PARTS FOR :
RATCHET WRENCH 12v 3/8" Sq DRIVE-BODY ONLY
MODELS: CP1202



ISSUE NO : 1
 ISSUE DATE : 07/07/2016

ITEM	PART NO	DESCRIPTION	ITEM	PART NO	DESCRIPTION
1	CP1202.01	GEARBOX	10	CP1202.10	SWITCH BUTTON
2	CP1202.02	MOTOR GEAR	11	CP1202.11	PIN
3	CP1202.03	MOTOR	12	CP1202.12	HANDLE LEVER
4	CP1202.04	CASING, LEFT SIDE	13	CP1202.13	CASING, RIGHT SIDE
5	CP1202.05	PCB	14	CP1202.14	CASING SCREW
6	CP1202.06	BATTERY CLIP	15	CP1200BP	C/LESS POWER TOOL BATTERY 12V LI-ION
7	CP1202.07	LED	16	CP1200MC	LI-ION BATTERY CHARGER 12V 1 HOUR (NOT SHOWN)
8	CP1202.08	SWITCH LOCK BUTTON	17	CP1200CB	CANVAS BAG FOR CP1200 SERIES(NOT SHOWN)
9	CP1202.09	SWITCH			



Sole UK Distributor, Sealey Group.
 Kempson Way, Suffolk Business Park,
 Bury St. Edmunds, Suffolk.
 IP32 7AR

01284 757500
 01284 703534

www.sealey.co.uk
 sales@sealey.co.uk