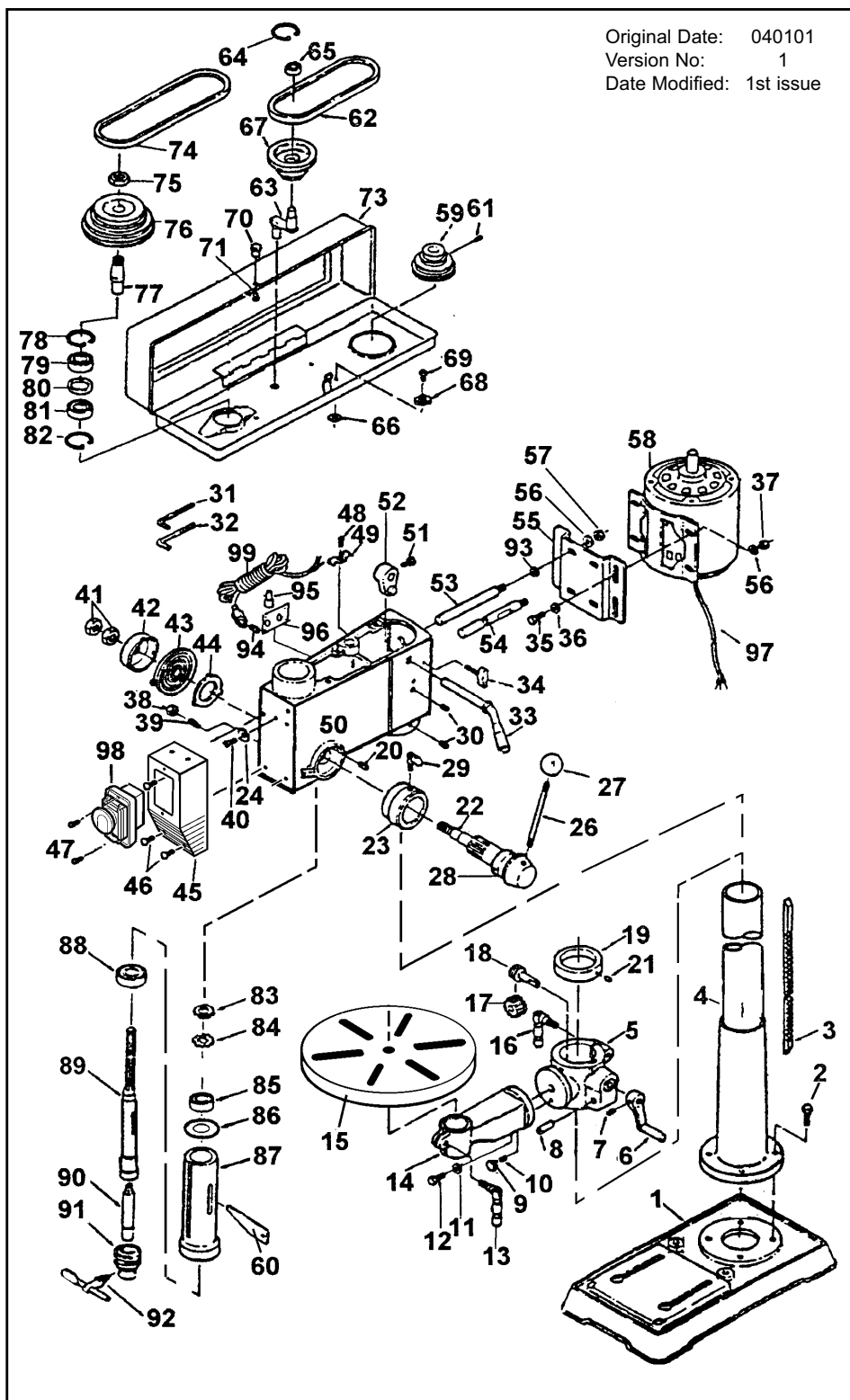


Item	Part No.	Description
1	GDM160FX/001	Base
2	GDM120BX/002	Bolt
3	GDM120BX/003	Rack
4	GDM160FX/004	Column
5	GDM160FX/005	Table Bracket
6	GDM160FX/006	Handle
7	GDM160FX/007	Headless Screw Set
8	GDM160FX/008	Shaft
9	GDM160FX/009	Pin
10	GDM160FX/010	Nut
11	GDM160FX/011	Washer
12	GDM160FX/012	Bolt
13	GDM160FX/013	Table Bolt
14	GDM160FX/014	Table Arm
15	GDM160FX/015	Table
16	GDM160FX/016	Clamp Bolt
17	GDM160FX/017	Gear
18	GDM160FX/018	Worm Gear
19	GDM160FX/019	Rack Ring
20	GDM160FX/020	Pin Stop
21	GDM160FX/021	Set Screw
22	GDM160FX/022	Feed Shaft
23	GDM160FX/023	Scale Ring
24	GDM160FX/024	Washer
26	GDM160FX/026	Handle
27	GDM160FX/027	Knob
28	GDM160FX/028	Roll Pin
29	GDM160FX/029	Clamp Bolt
30	GDM160FX/030	Set Screw
31	GDM160FX/031	Hex Key
32	GDM160FX/032	Hex Key
33	GDM160FX/033	Shifter Bar
34	GDM160FX/034	Slide Bar Bolt
35	GDM160FX/035	Bolt
36	GDM160FX/036	Washer
37	GDM160FX/037	Nut
38	GDM160FX/038	Set Screw
39	GDM160FX/039	Set Screw
40	GDM160FX/040	Bolt
41	GDM160FX/041	Nut
42	GDM160FX/042	Spring Cap
43	GDM160FX/043	Torsion Spring
44	GDM160FX/044	Spring Cover
45	GDM160FX/045	Switch Box
46	GDM160FX/046	Bolt
47	GDM160FX/047	Bolt
48	GDM160FX/048	Screw
49	GDM160FX/049	Wire Clamp
50	GDM160FX/050	Body
51	GDM160FX/051	Bolt
52	GDM160FX/052	Shifter
53	GDM160FX/053	Slide Bar
54	GDM160FX/054	Slide Bar
55	GDM160FX/055	Motor Base
56	GDM160FX/056	Spring Washer
57	GDM160FX/057	Nut
58	GDM160FX/058	Motor
59	GDM160FX/059	Motor Pulley
60	GDM160FX/060	Wedge
61	GDM160FX/061	Set Screw
62	GDM160FX/062	V-Belt
63	GDM160FX/063	Centre Shaft
64	GDM160FX/064	Circlips
65	GDM160FX/065	Ball Bearing
66	GDM160FX/066	Rubber Washer
67	GDM160FX/067	Centre Pulley
68	GDM160FX/068	Washer
69	GDM160FX/069	Screw
70	GDM160FX/070	Bolt
71	GDM160FX/071	Washer
73	GDM160FX/073	Pulley Cover
74	GDM160FX/074	V-Belt
75	GDM160FX/075	Pulley Nut
76	GDM160FX/076	Spindle Pulley
77	GDM160FX/077	Insert Pulley
78	GDM160FX/078	Circlips
79	GDM160FX/079	Bearing
80	GDM160FX/080	Spacer
81	GDM160FX/081	Bearing
82	GDM160FX/082	Circlips
83	GDM160FX/083	Nut
84	GDM160FX/084	Tab Washer
85	GDM160FX/085	Bearing
86	GDM160FX/086	Rubber Washer
87	GDM160FX/087	Spindle Sleeve
88	GDM160FX/088	Bearing
89	GDM160FX/089	Spindle
90	GDM160FX/090	Arbor
91	GDM160FX/091	Chuck
92	GDM160FX/092	Key Chuck
93	GDM160FX/093	Washer
94	GDM160FX/094	Screw
95	GDM160FX/095	Connector Wire
96	GDM160FX/096	Cover
97	GDM160FX/097	Wire
98	GDM160FX/098	Switch
99	GDM160FX/099	Plug

Original Date: 040101
Version No: 1
Date Modified: 1st issue



82	GDM160FX/082	Circlips	91	GDM160FX/091	Chuck
83	GDM160FX/083	Nut	92	GDM160FX/092	Key Chuck
84	GDM160FX/084	Tab Washer	93	GDM160FX/093	Washer
85	GDM160FX/085	Bearing	94	GDM160FX/094	Screw
86	GDM160FX/086	Rubber Washer	95	GDM160FX/095	Connector Wire
87	GDM160FX/087	Spindle Sleeve	96	GDM160FX/096	Cover
88	GDM160FX/088	Bearing	97	GDM160FX/097	Wire
89	GDM160FX/089	Spindle	98	GDM160FX/098	Switch
90	GDM160FX/090	Arbor	99	GDM160FX/099	Plug



01284 757500



01284 703534

E-mail: sales@sealey.co.uk